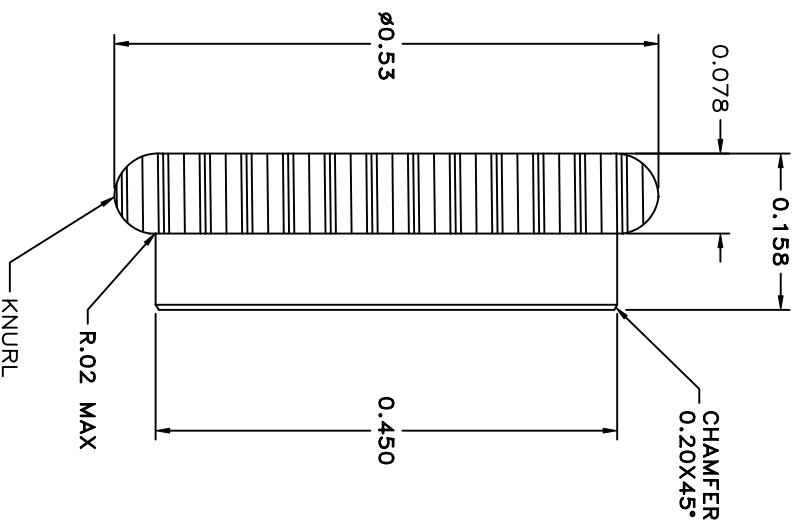
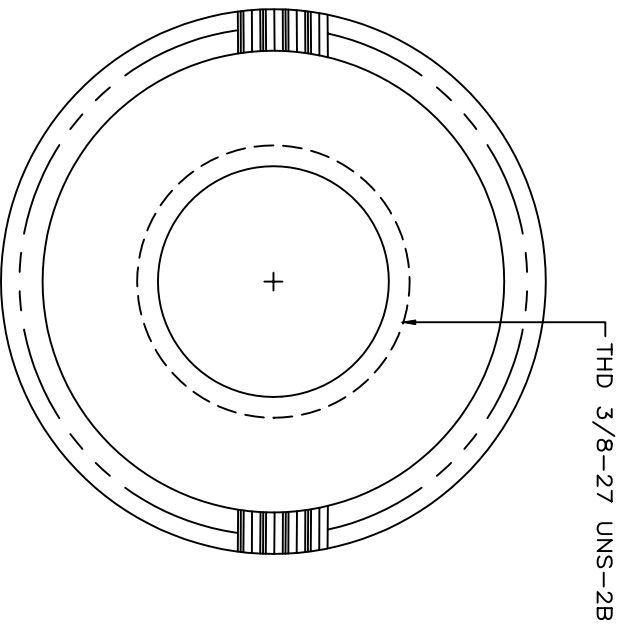


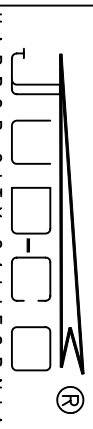
LTR	EN	DESCRIPTION	APPR	BY	DATE
A	-	INITIAL RELEASE	RB	NH	1-7-04



JUDCO INVENTORY NO. : 18-1010-00  
 DESCRIPTION: NUT, KNURLED, 3/8-27  
 BRASS, UNPLATED

CUSTOMER: DIGI-KEY  
 CUSTOMER: PN 535PB-ND  
 ACCEPTED BY: \_\_\_\_\_  
 DATE: \_\_\_\_\_

DIMENSIONS IN INCHES  
 DIMENSIONS ARE REFERENCE



TITLE  
 NUT, 3/8-27  
 BRASS BRIGHT UNPLATED

DRAWN: NH 1-7-04  
 APPR: KJ 1-7-04

DWG. NO. 1415-542

1415US44A.DWG

SHEET

1 OF 1

This document embodies a product, component, and/or design proprietary to JUDCO MANUFACTURING INC., and which is protected either as a trade secret, by U.S. Patent, or by copyright. It may not be used in any way without written express consent of JUDCO MANUFACTURING INC.