

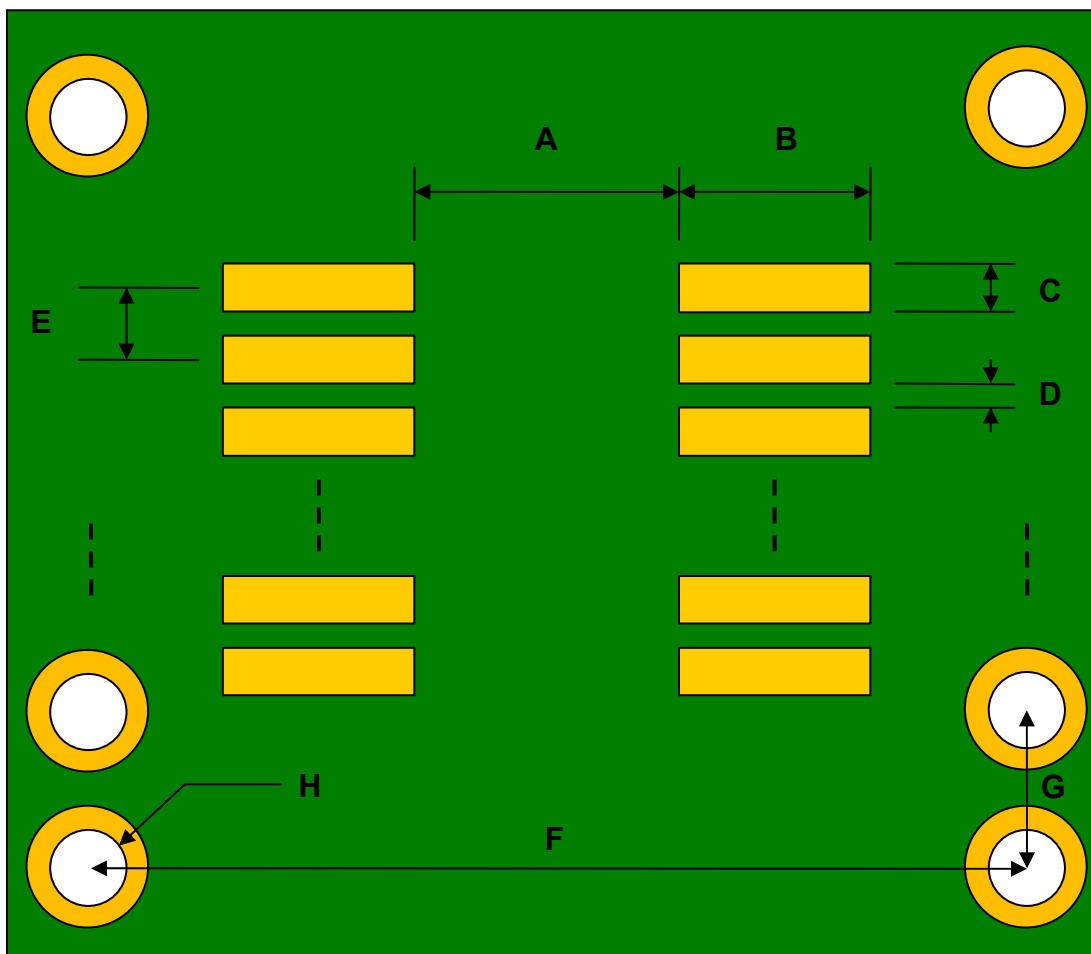
PCB3005A1 *Proto Advantage*

Datasheet revision 1.0

www.Proto-Advantage.com

SOIC-8 to DIP-8 SMT Adapter (1.27 mm pitch, 150/200mil body)

REF.	DIMENSIONS					
	mm			inches		
	MIN.	TYP.	MAX.	MIN.	TYP.	MAX.
A		2.90				
B		2.40				
C		0.60				
D		0.67				
E		1.27				
F					0.300	
G					0.100	
H					0.040	



(Representative drawing only - not to scale)
 Note: SMT Footprint is rotated 90 degrees on actual PCB