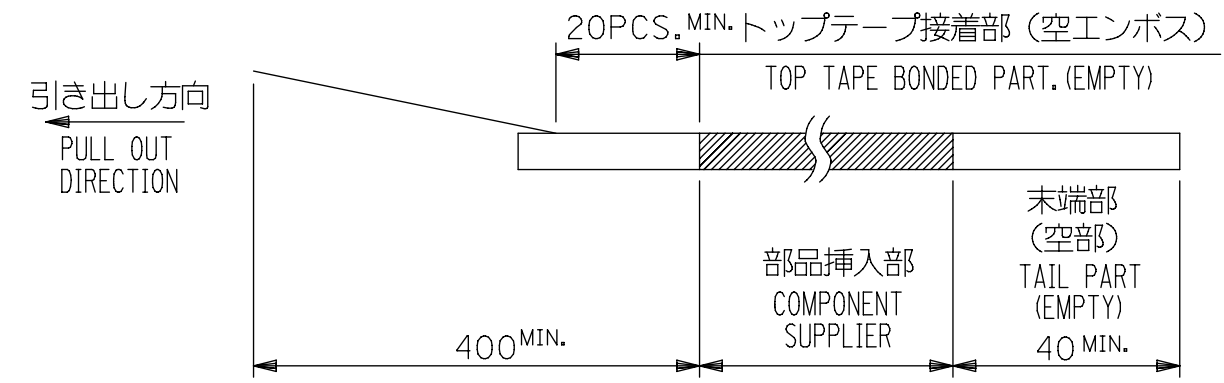
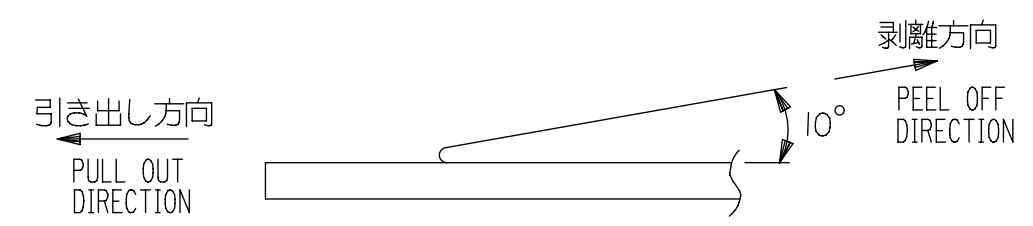


NOTES

- 製品詳細寸法については図面 512811000-SD を参照下さい。  
RE DETAILED DIMENSION, SEE 512811000-SD
- 梱包数量：3000個/リール  
NUMBER OF CONNECTORS : 3000PCS/REEL
- リードテープ長さ LEAD TAPE LENGTH

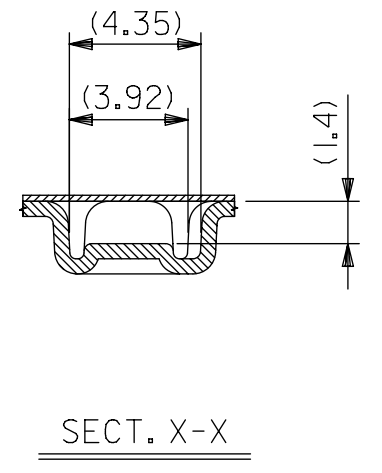
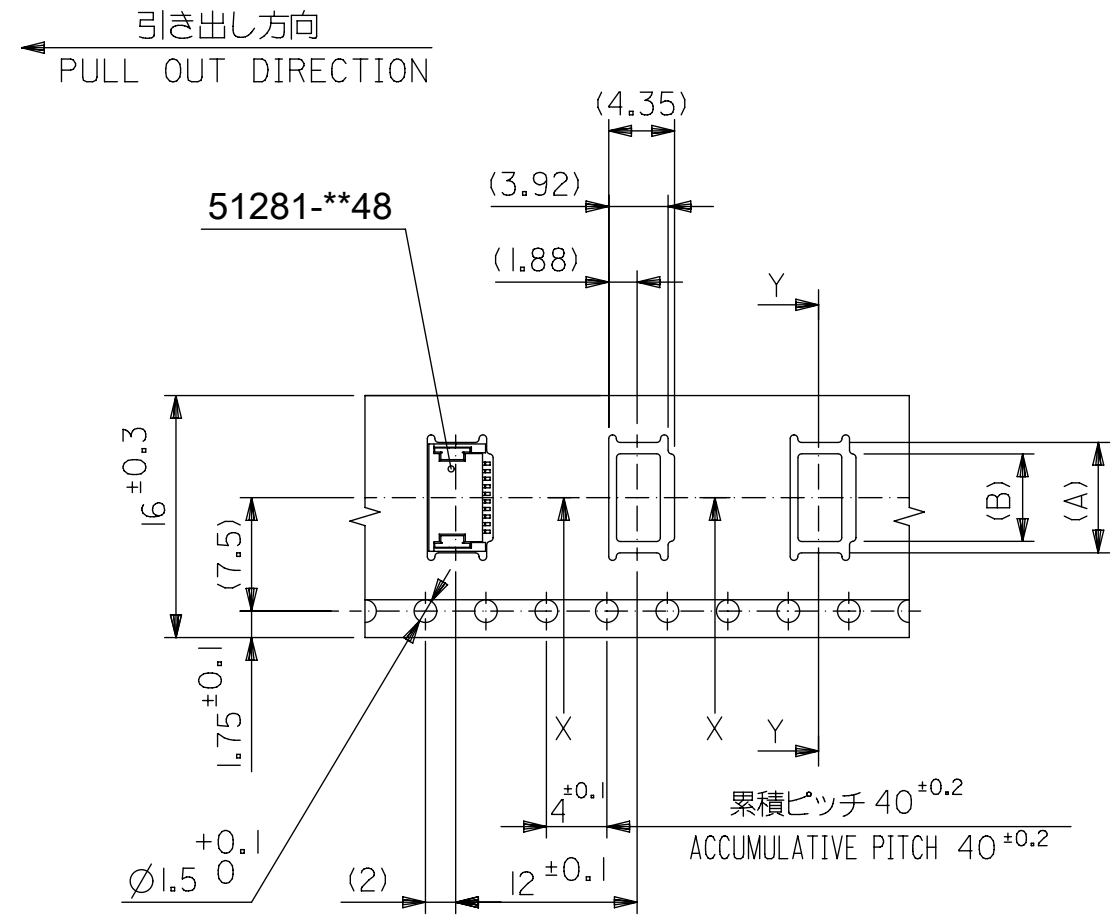
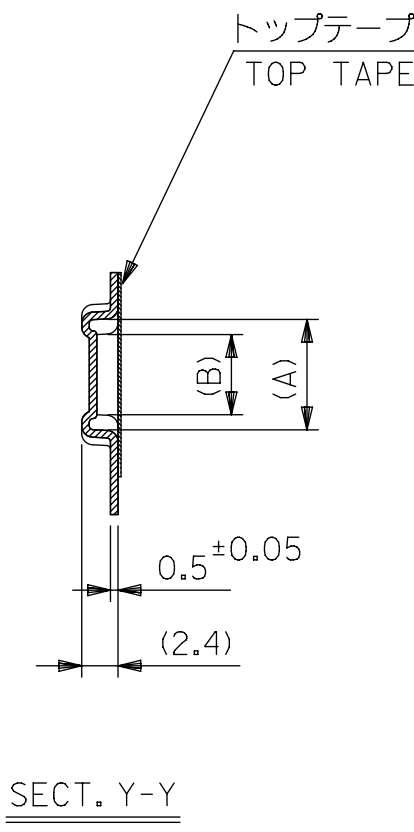


- トップテープの剥離強度：0.1N~1.3N {10gf~130gf}  
(剥離方向は下図参照)  
尚、本規格値は出荷時に適用。(但し、輸送時に剥離が発生しないこと。)  
PEELING OFF FORCE OF TOP TAPE : 0.1N~1.3N {10gf~130gf}  
(PEELING DIRECTION AS SHOWN IN FOLLOWING FIG.)  
THIS REQUIREMENT SHOULD BE APPLIED AT SHIPMENT.  
PEEL OFF SHOULD NOT BE ALLOWED , DURING TRANSPORTATION.



- 材料 (MATERIAL)  
キャリアテープ (CARRIER TAPE) : ポリプロピレン (POLYPROPYLENE)  
トップテープ (TOPTAPE) : PET , PE , PEF  
リール (REEL) : ポリスチレン (PS) <リサイクル材含む>  
POLYSTYRENE (PS) <RECYCLE MATERIAL CONTAINED>
- C, D 寸法は SHEET 2 ~ 3 を参照下さい。  
SEE SHEET 2 ~ 3 (DIMENSION C, D).

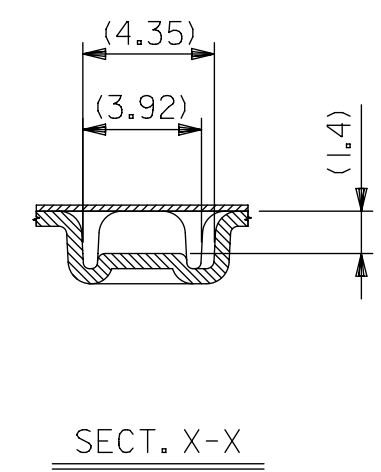
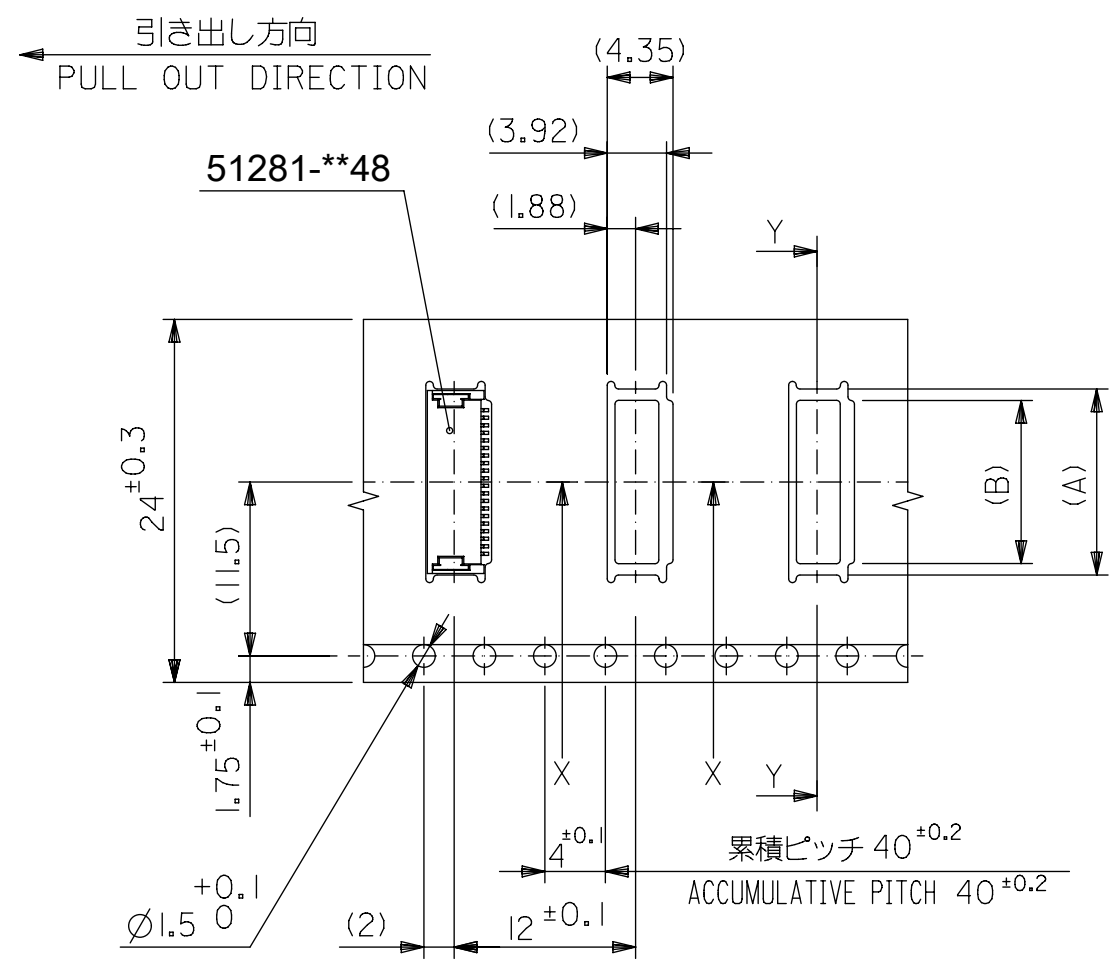
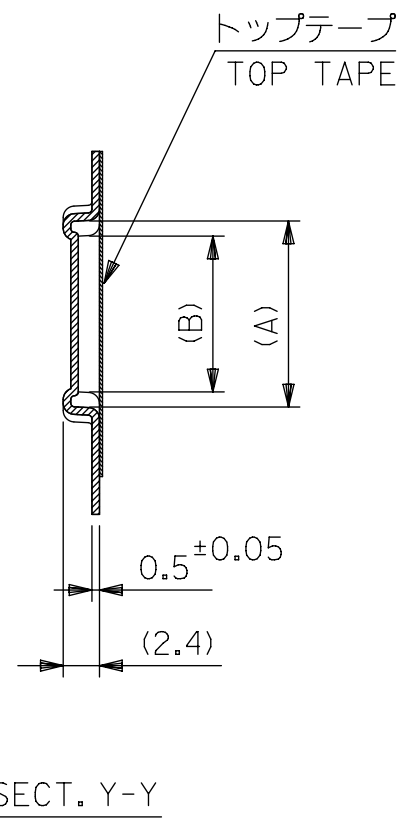
THIS DRAWING CONTAINS INFORMATION THAT IS PROPRIETARY TO MOLEX ELECTRONIC TECHNOLOGIES, LLC AND SHOULD NOT BE USED WITHOUT WRITTEN PERMISSION									
DIMENSION UNITS		SCALE		CURRENT REV DESC:				<b>molex</b>	
mm		NTS							
GENERAL TOLERANCES (UNLESS SPECIFIED)				EC NO: 735884				0.5 FPC CONN NON-ZIF (HGT=1.2MM) EMBSTP PKG	
ANGULAR TOL ± 3.0°				DRWN: NARENC 2023/01/23				PRODUCT CUSTOMER DRAWING	
4 PLACES ± 0.2				CHK'D: YNUKANOBU 2023/01/23					
3 PLACES ± 0.2				APPR: YNAITO 2023/01/23				DOCUMENT NUMBER	
2 PLACES ± 0.2				INITIAL REVISION:					
1 PLACE ± 0.2				DRWN: NARENC 2022/05/16				512810000-SD	
0 PLACES ± 0.2				APPR: YNAITO 2022/05/30					
DRAFT WHERE APPLICABLE MUST REMAIN WITHIN DIMENSIONS		THIRD ANGLE PROJECTION		DRAWING		SERIES		MATERIAL NUMBER	
				A3-SIZE		51281		SEE SHEET 2 TO 4	
DOCUMENT STATUS		P1		RELEASE DATE		2023/01/23 09:52:09		CUSTOMER	
								GENERAL MARKET	
								SHEET NUMBER	
								1 OF 4	



16mm幅キャリアテープ  
16mm WIDTH CARRIER TAPE

16	21.4	17.4	4.3	6.3	51281-0898	8
			3.8	5.8	51281-0798	7
			3.3	5.3	51281-0698	6
			2.8	4.8	51281-0598	5
キャリアテープ幅 CARRIER TAPE WIDTH	D	C	(B)	(A)	製品番号 MATERIAL No.	極数 CIRCUIT

THIS DRAWING CONTAINS INFORMATION THAT IS PROPRIETARY TO MOLEX ELECTRONIC TECHNOLOGIES, LLC AND SHOULD NOT BE USED WITHOUT WRITTEN PERMISSION																	
DIMENSION UNITS		SCALE		CURRENT REV DESC:													
mm		NTS		<p style="text-align: center;"><b>molex</b></p> <p style="text-align: center;">0.5 FPC CONN NON-ZIF (HGT=1.2MM) EMBSTP PKG</p> <p style="text-align: center;">PRODUCT CUSTOMER DRAWING</p>													
GENERAL TOLERANCES (UNLESS SPECIFIED)																	
ANGULAR TOL ± 3.0 °																	
4 PLACES		± 0.2															
3 PLACES		± 0.2															
2 PLACES		± 0.2															
1 PLACE		± 0.2		EC NO: 735884				2023/01/23									
0 PLACES		± 0.2		DRWN: NARENC				2023/01/23									
DRAFT WHERE APPLICABLE MUST REMAIN WITHIN DIMENSIONS				THIRD ANGLE PROJECTION		DRAWING		SERIES		DOCUMENT NUMBER		DOC TYPE		DOC PART		REVISION	
						A3-SIZE		51281		512810000-SD		PSD		000		B	
								MATERIAL NUMBER		CUSTOMER						SHEET NUMBER	
								SEE TABLE		GENERAL MARKET						2 OF 4	

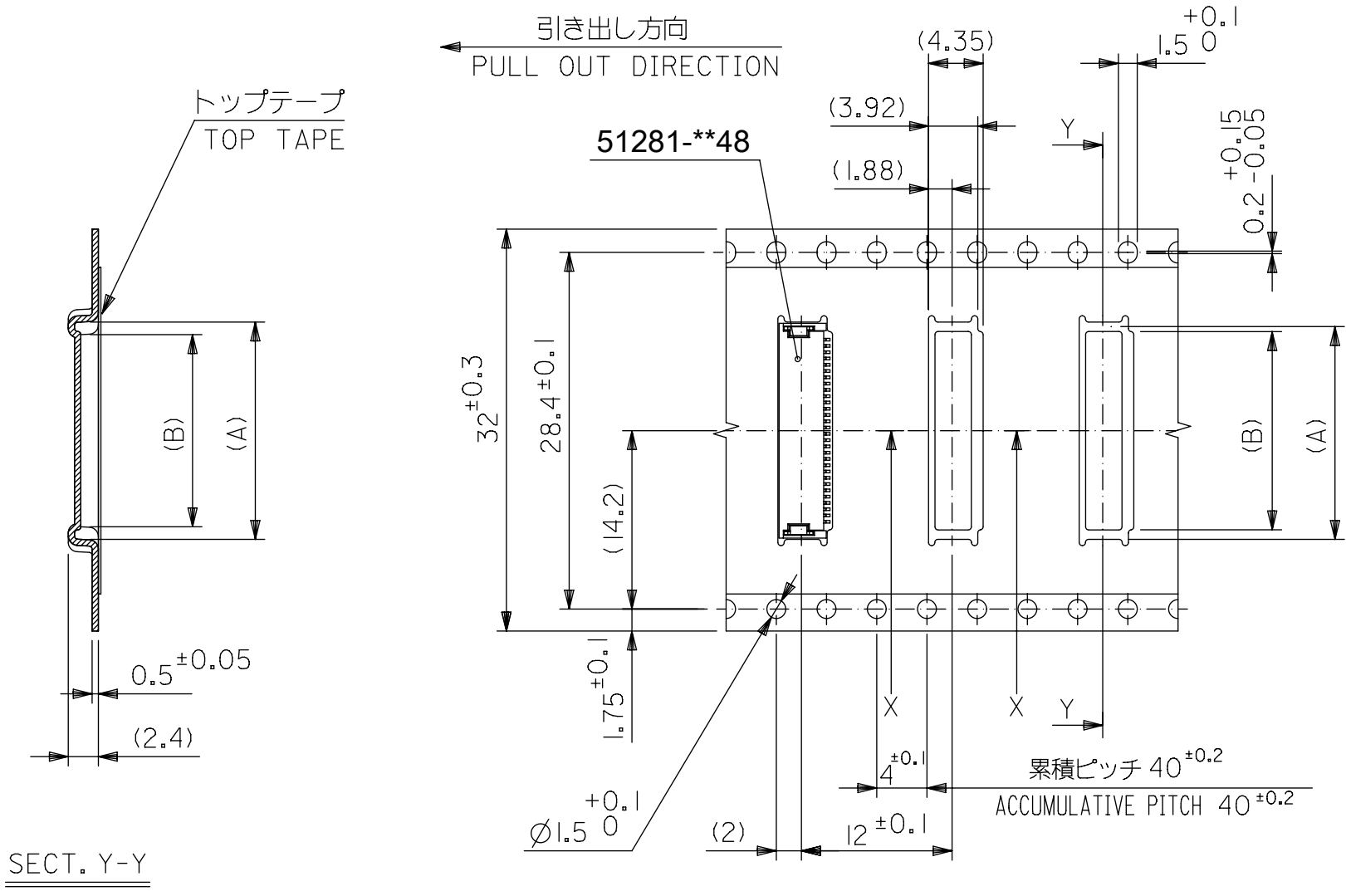


24mm幅キャリアテープ  
24mm WIDTH CARRIER TAPE

24	29.4	25.4	12.3	14.3	51281-2498	24		
			11.3	13.3	51281-2298	22		
			10.3	12.3	51281-2098	20		
			9.3	11.3	51281-1898	18		
			8.3	10.3	51281-1698	16		
			7.3	9.3	51281-1498	14		
			6.3	8.3	51281-1298	12		
			5.8	7.8	51281-1198	11		
			5.3	7.3	51281-1098	10		
4.8	6.8	51281-0998	9					
キャリアテープ幅 CARRIER TAPE WIDTH			D	C	(B)	(A)	製品番号 MATERIAL No.	極数 CIRCUIT

THIS DRAWING CONTAINS INFORMATION THAT IS PROPRIETARY TO MOLEX ELECTRONIC TECHNOLOGIES, LLC AND SHOULD NOT BE USED WITHOUT WRITTEN PERMISSION

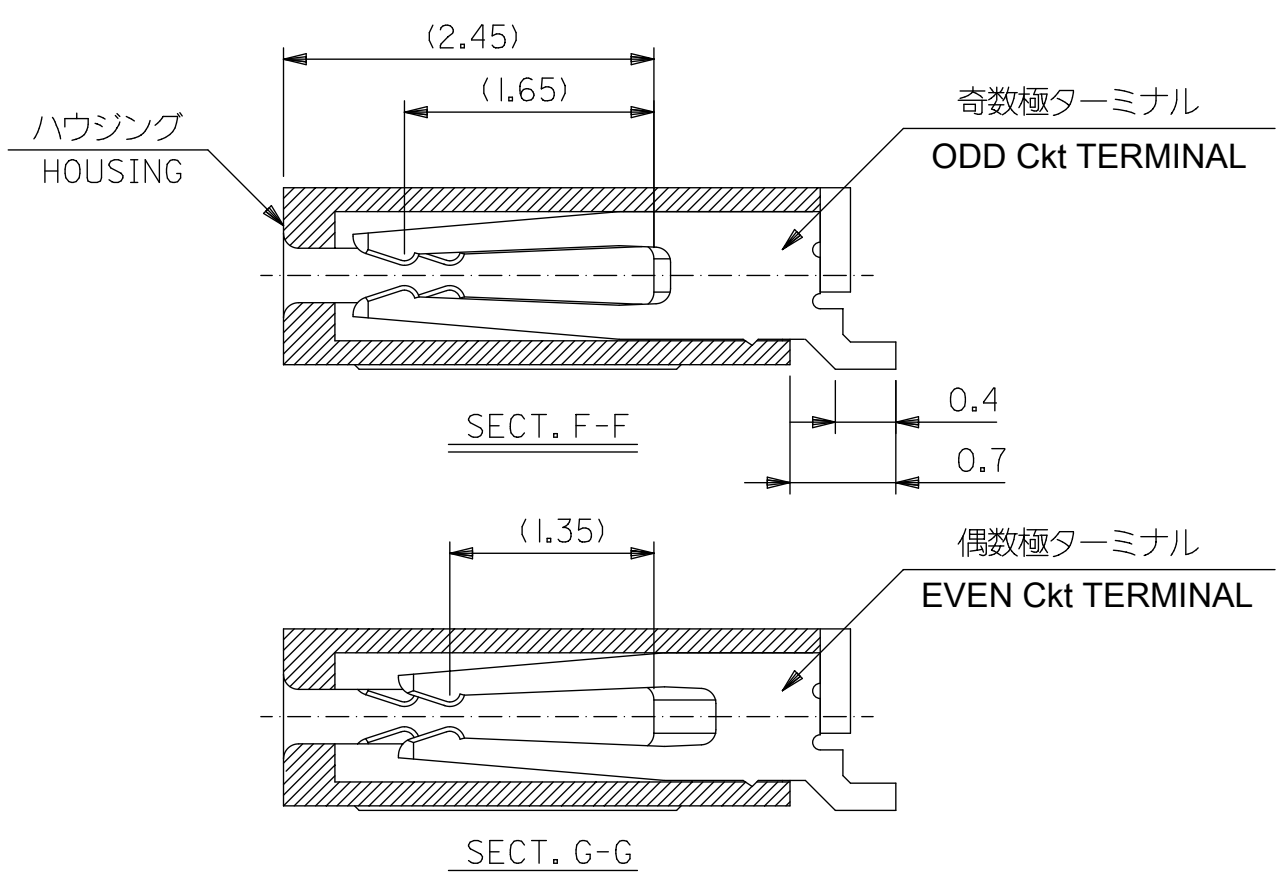
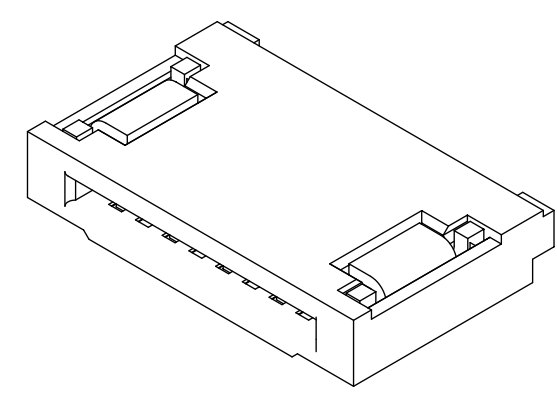
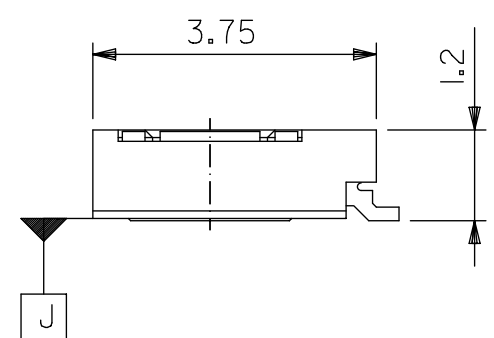
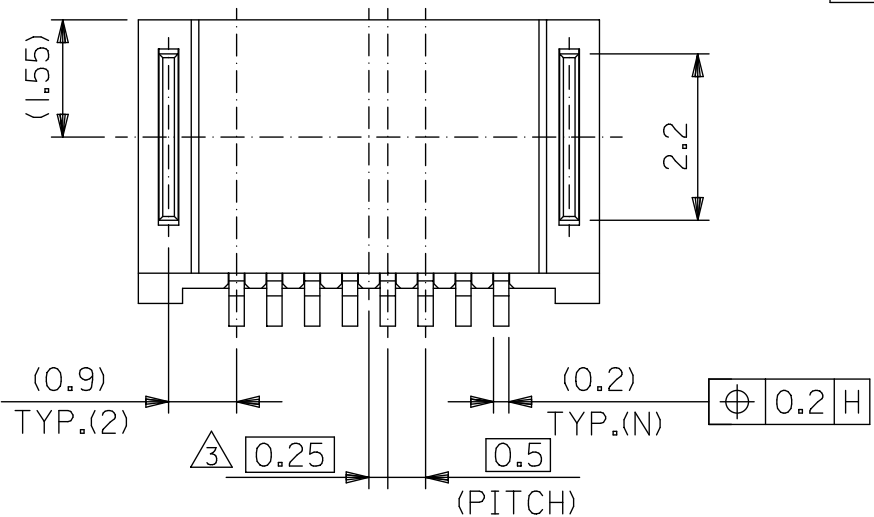
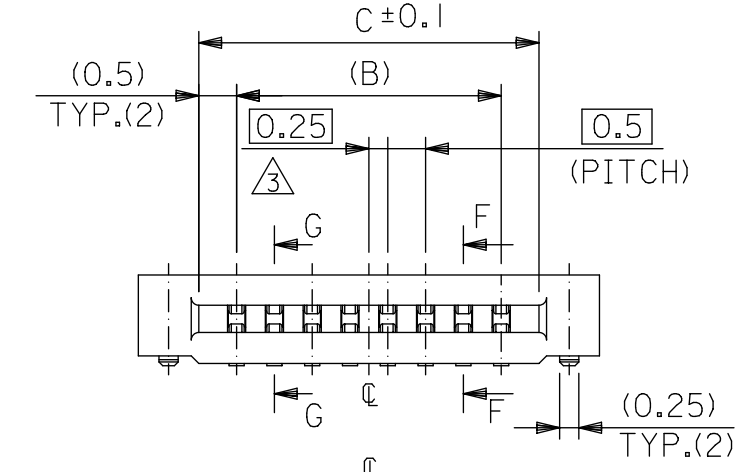
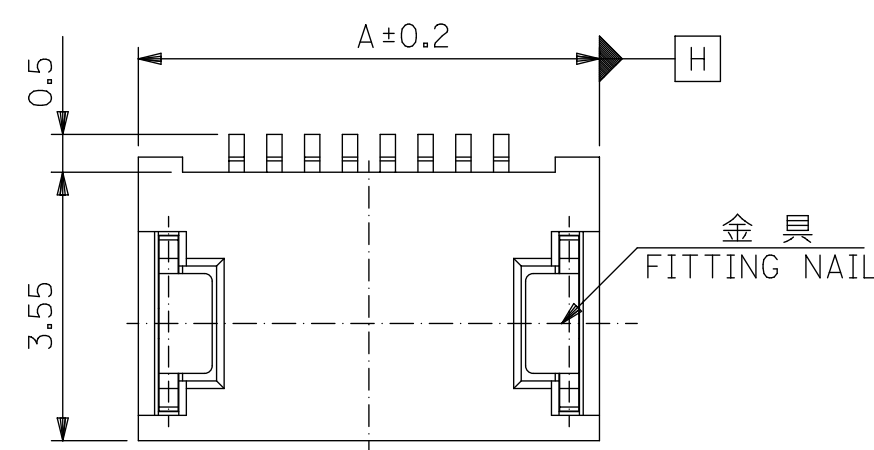
DIMENSION UNITS <b>mm</b>	SCALE <b>NTS</b>	CURRENT REV DESC:		<b>molex</b>					
GENERAL TOLERANCES (UNLESS SPECIFIED)		EC NO: 735884					0.5 FPC CONN NON-ZIF (HGT=1.2MM) EMBSTP PKG		
ANGULAR TOL	± 3.0 °	DRWN: NARENC		2023/01/23					
4 PLACES	± 0.2	CHK'D: YNUKANOBU		2023/01/23					
3 PLACES	± 0.2	APPR: YNAITO		2023/01/23					
2 PLACES	± 0.2	INITIAL REVISION:		PRODUCT CUSTOMER DRAWING					
1 PLACE	± 0.2	DRWN: NARENC		DOCUMENT NUMBER					
0 PLACES	± 0.2	APPR: YNAITO		512810000-SD					
DRAFT WHERE APPLICABLE MUST REMAIN WITHIN DIMENSIONS		THIRD ANGLE PROJECTION	DRAWING	SERIES	MATERIAL NUMBER	CUSTOMER	DOC TYPE	DOC PART	REVISION
			A3-SIZE	51281	SEE TABLE	GENERAL MARKET	PSD	000	B
									SHEET NUMBER
									3 OF 4



32mm幅キャリアテープ  
32mm WIDTH CARRIER TAPE

32	37.4	33.4	13.3	15.3	51281-2698	26
キャリアテープ幅 CARRIER TAPE WIDTH	D	C	(B)	(A)	製品番号 MATERIAL No.	極数 CIRCUIT

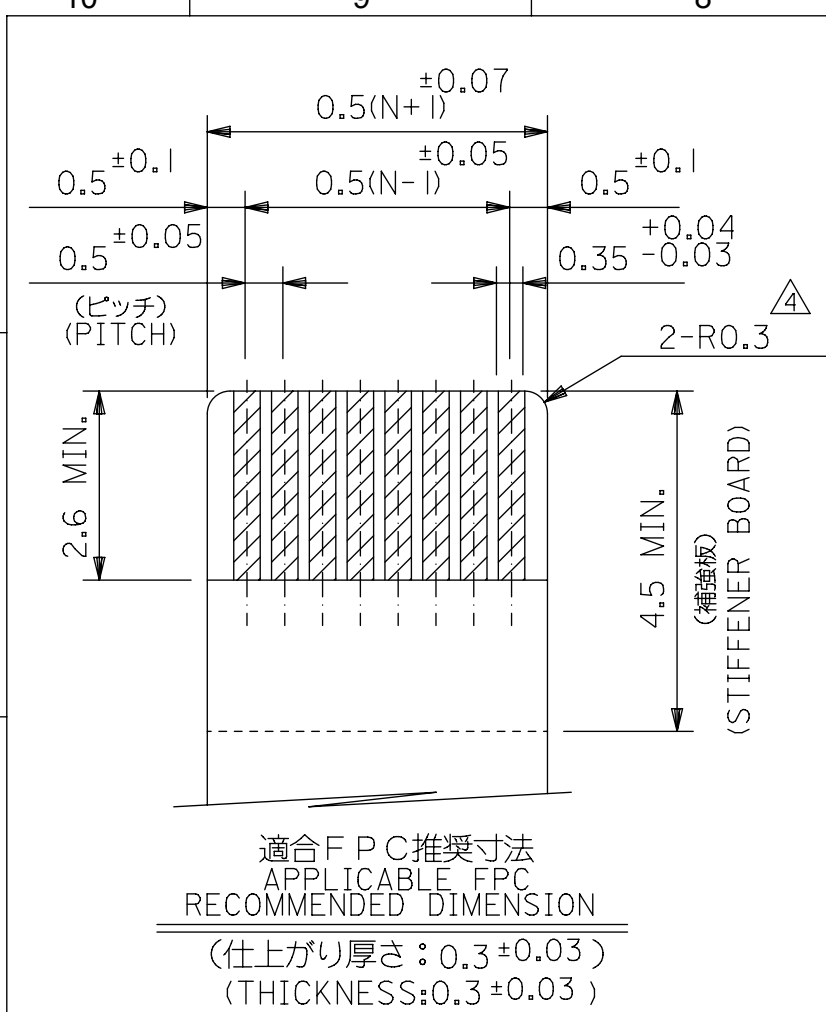
THIS DRAWING CONTAINS INFORMATION THAT IS PROPRIETARY TO MOLEX ELECTRONIC TECHNOLOGIES, LLC AND SHOULD NOT BE USED WITHOUT WRITTEN PERMISSION		CURRENT REV DESC:		<b>molex</b>		
DIMENSION UNITS	SCALE					
mm	NTS			0.5 FPC CONN NON-ZIF (HGT=1.2MM) EMBSTP PKG		
GENERAL TOLERANCES (UNLESS SPECIFIED)				PRODUCT CUSTOMER DRAWING		
ANGULAR TOL	± 3.0 °			DOCUMENT NUMBER		
4 PLACES	± 0.2	EC NO: 735884		512810000-SD		
3 PLACES	± 0.2	DRWN: NARENC		DOC TYPE	DOC PART	REVISION
2 PLACES	± 0.2	CHK'D: YNUKANOBU		PSD	000	B
1 PLACE	± 0.2	APPR: YNAITO		SHEET NUMBER		
0 PLACES	± 0.2	INITIAL REVISION:		4 OF 4		
DRAFT WHERE APPLICABLE MUST REMAIN WITHIN DIMENSIONS		THIRD ANGLE PROJECTION	DRAWING	SERIES	MATERIAL NUMBER	CUSTOMER
			A3-SIZE	51281	SEE TABLE	GENERAL MARKET



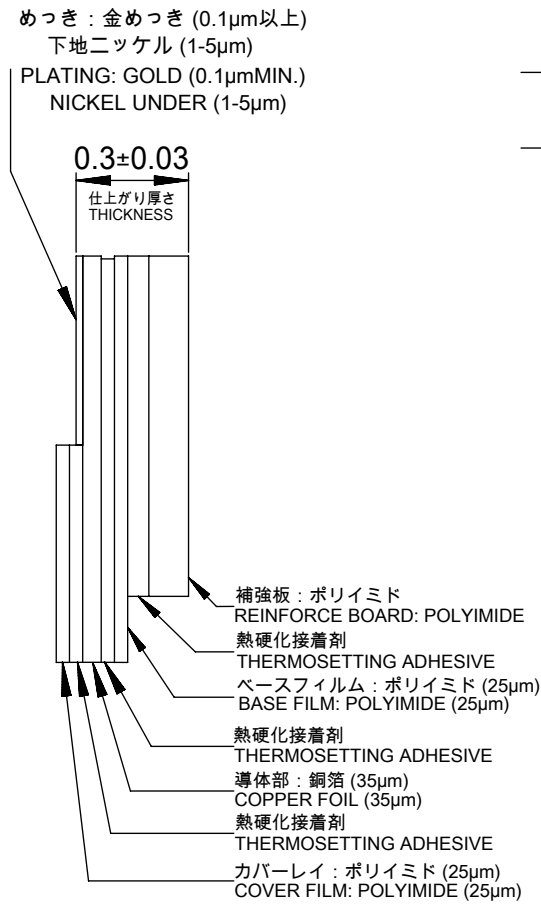
13.5	12.5	15.1	51281-2698	26
12.5	11.5	14.1	51281-2498	24
11.5	10.5	13.1	51281-2298	22
10.5	9.5	12.1	51281-2098	20
9.5	8.5	11.1	51281-1898	18
8.5	7.5	10.1	51281-1698	16
7.5	6.5	9.1	51281-1498	14
6.5	5.5	8.1	51281-1298	12
6.0	5.0	7.6	51281-1198	11
5.5	4.5	7.1	51281-1098	10
5.0	4.0	6.6	51281-0998	9
4.5	3.5	6.1	51281-0898	8
4.0	3.0	5.6	51281-0798	7
3.5	2.5	5.1	51281-0698	6
3.0	2.0	4.6	51281-0598	5
C	B	A	EMBOSSED TAPE ORDER No. オーダー番号	CIRCUIT

CONNECTOR SERIES NO. : 51281-\*\*48

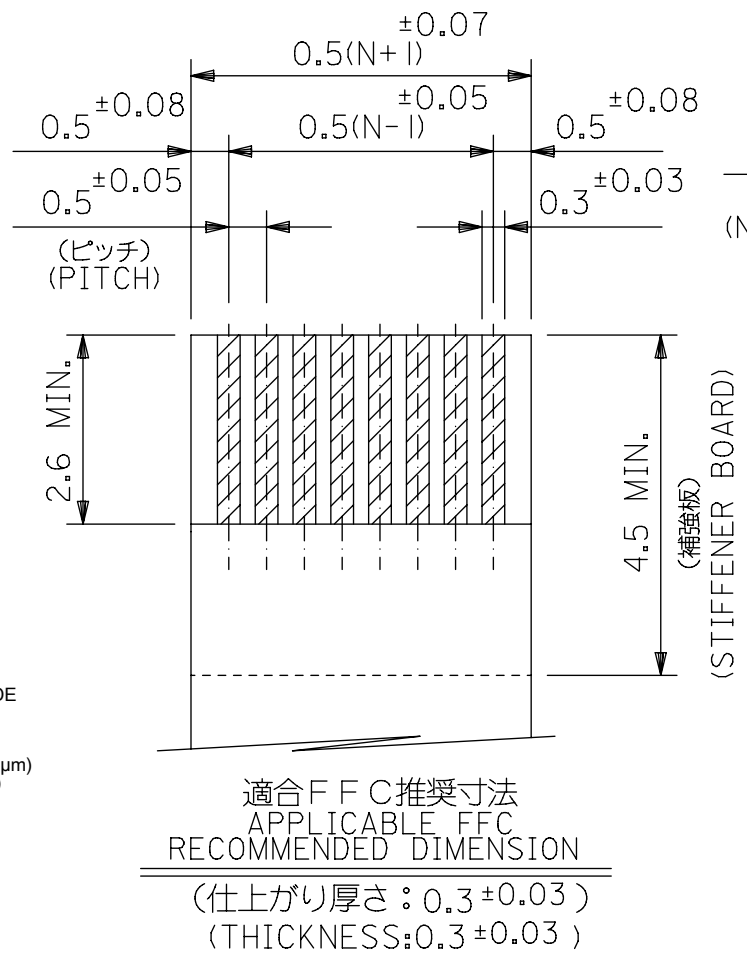
DIMENSION UNITS		SCALE	CURRENT REV DESC.			molex		
mm		NTS				0.5 FPC CONN NON-ZIF HSG ASSY (HGT=1.2MM)		
GENERAL TOLERANCES (UNLESS SPECIFIED)			EC NO: 736421			PRODUCT CUSTOMER DRAWING		
ANGULAR TOL ± 3.0°			DRWN: NARENC 2023/01/27			DOCUMENT NUMBER		
4 PLACES ± 0.2			CHK'D: YNUKANOBU 2023/01/30			512811000-SD		
3 PLACES ± 0.2			APPR: YNAITO 2023/01/30			DOC TYPE DOC PART REVISION		
2 PLACES ± 0.2			INITIAL REVISION:			PSD 000 B		
1 PLACE ± 0.2			DRWN: NARENC 2022/05/17			MATERIAL NUMBER		
0 PLACES ± 0.2			APPR: YNAITO 2022/05/30			CUSTOMER		
DRAFT WHERE APPLICABLE MUST REMAIN WITHIN DIMENSIONS			THIRD ANGLE PROJECTION			SHEET NUMBER		
			DRAWING			SEE TABLE		
			SERIES			GENERAL MARKET		
			A3-SIZE			1 OF 2		
			51281					



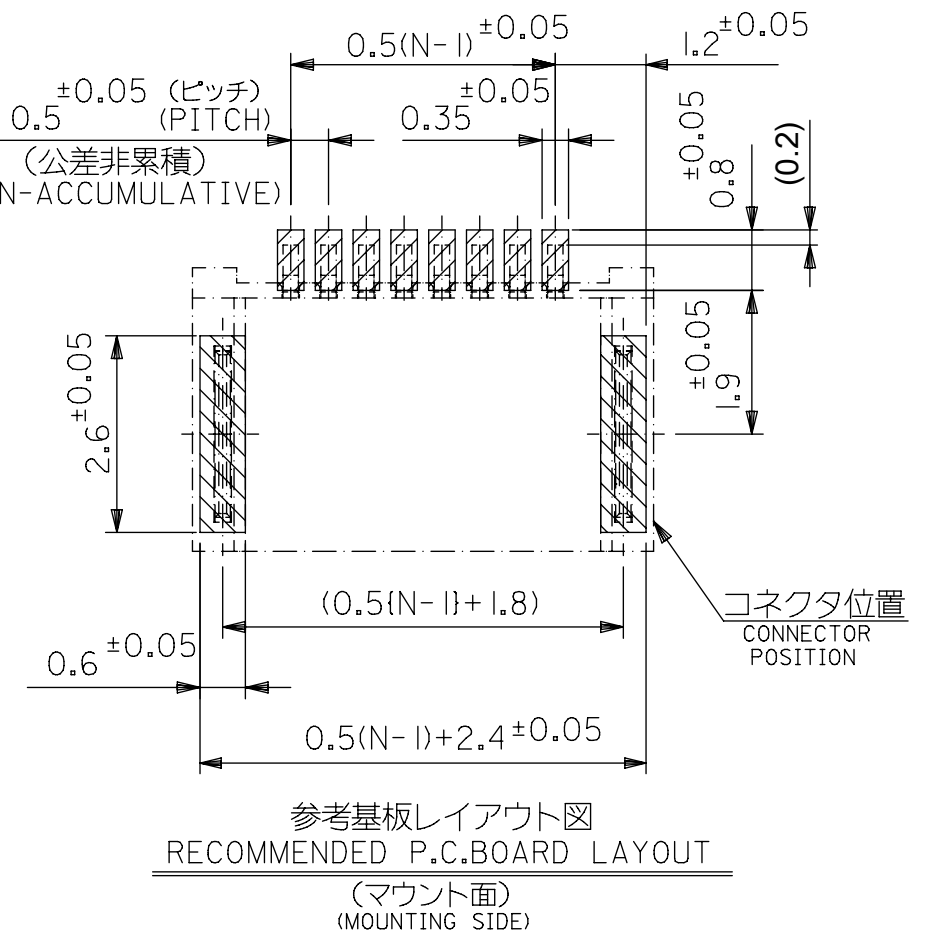
適合FPC推奨寸法  
APPLICABLE FPC  
RECOMMENDED DIMENSION  
(仕上がり厚さ: 0.3 ± 0.03)  
(THICKNESS: 0.3 ± 0.03)



FPC構成推奨仕様  
STRUCTURE OF FPC



適合FFC推奨寸法  
APPLICABLE FFC  
RECOMMENDED DIMENSION  
(仕上がり厚さ: 0.3 ± 0.03)  
(THICKNESS: 0.3 ± 0.03)



参考基板レイアウト図  
RECOMMENDED P.C.BOARD LAYOUT  
(マウント面)  
(MOUNTING SIDE)

注記 NOTES

1. 使用材料 MATERIAL  
ハウジング: 液体ポリマー ガラス充填 UL94V-0  
HOUSING: LIQUID CRYSTAL POLYMER (GRASS FILLED) UL94-0  
ターミナル: リン青銅 (t=0.2), ニッケル下地, コンタクト部: 金メッキ, テール部: 錫メッキ  
TERMINAL: PHOSPHOR-BRONZE, CONTACT: GOLD, TAIL: TIN, OVER NICKEL PLATING  
金具: リン青銅 (t=0.25), ニッケル下地 純錫メッキ
2. FITTING NAIL: PHOSPHOR-BRONZE, PURE-TIN OVER NICKEL PLATING  
ソルダーテール半田付け面のズレ量、及び金具半田付け面のズレ量は、基準面 **J** に対し、  
上方向 0.1 MAXIMUM 下方向 0.15 MAXIMUMとする。  
又、相互のバラツキ量は 0.1 MAXIMUMとする。  
MISALIGNMENT OF SOLDER TAILS AND FITTING NAILS FROM **J**  
UPPER DIRECTION; 0.1 MAXIMUM, LOWER DIRECTION; 0.15 MAXIMUM.  
OFFSET BETWEEN SOLDER TAILS AND FITTING NAILS; 0.1 MAXIMUM.
3. 偶数極に適用  
TO BE APPLIED ONLY WHEN ALL CIRCUITS ARE EVEN.
4. R0.3は、FPCの導体部にかからないこと。  
R0.3 MUST NOT BE OVERLAPPED TO PATTERN OF FPC.
5. FPC/FFCについて:  
打抜き方向は導体側から補強版側を推奨いたします。  
導体部については軟銅箔35μmまたは50μm  
メッキ厚0.1 μm以上金メッキ(電気メッキ)を推奨いたします。  
RECOMMENDED PUNCHER DIRECTION:  
FROM CONDUCTOR SIDE TO STIFFENER BOARD SIDE.  
RECOMMENDED CONDUCTOR SPEC:  
THICKNESS OF SOFT COPPER FOIL: 35 μm or 50 μm  
GOLD PLATING: 0.1 μm MIN. (ELECTRICAL PLATING)

6. 本製品は51281-\*\*20の鉛フリー品である。  
THIS PRODUCT IS LEAD FREE OF 51281-\*\*20.
7. ソルダーテールの平坦度は、0.1 MAXIMUMとする。  
SOLDER TAIL COPLANARITY IS 0.1 MAXIMUM.

THIS DRAWING CONTAINS INFORMATION THAT IS PROPRIETARY TO MOLEX ELECTRONIC TECHNOLOGIES, LLC AND SHOULD NOT BE USED WITHOUT WRITTEN PERMISSION		CURRENT REV DESC:		<b>molex</b>			
DIMENSION UNITS	SCALE						
mm	NTS			PRODUCT CUSTOMER DRAWING			
GENERAL TOLERANCES (UNLESS SPECIFIED)				DOCUMENT NUMBER			
ANGULAR TOL ± 3.0°				512811000-SD			
4 PLACES ± 0.2		EC NO: 736421		DOC TYPE			
3 PLACES ± 0.2		DRWN: NARENC 2023/01/27		PSD			
2 PLACES ± 0.2		CHK'D: YNUKANOBU 2023/01/30		DOC PART			
1 PLACE ± 0.2		APPR: YNAITO 2023/01/30		000			
0 PLACES ± 0.2		INITIAL REVISION:		REVISION			
		DRWN: NARENC 2022/05/17		B			
		APPR: YNAITO 2022/05/30					
DRAFT WHERE APPLICABLE MUST REMAIN WITHIN DIMENSIONS		THIRD ANGLE PROJECTION	DRAWING	SERIES	MATERIAL NUMBER	CUSTOMER	SHEET NUMBER
			A3-SIZE	51281	SEE SHEET 1	GENERAL MARKET	2 OF 2