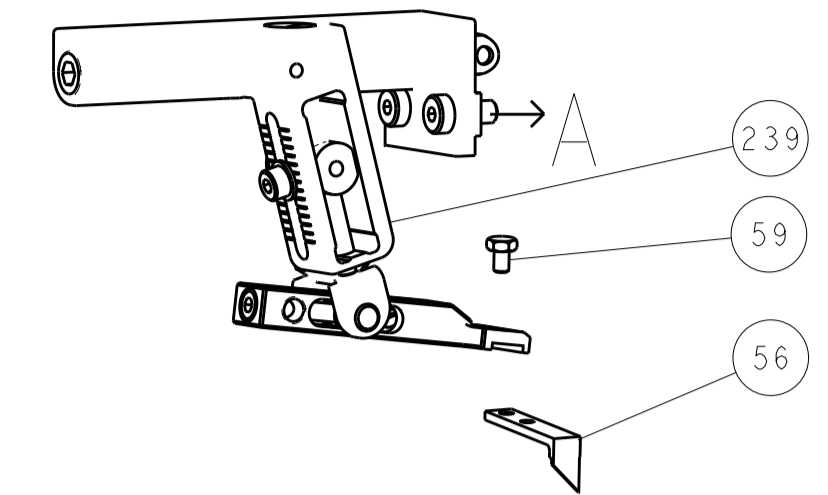


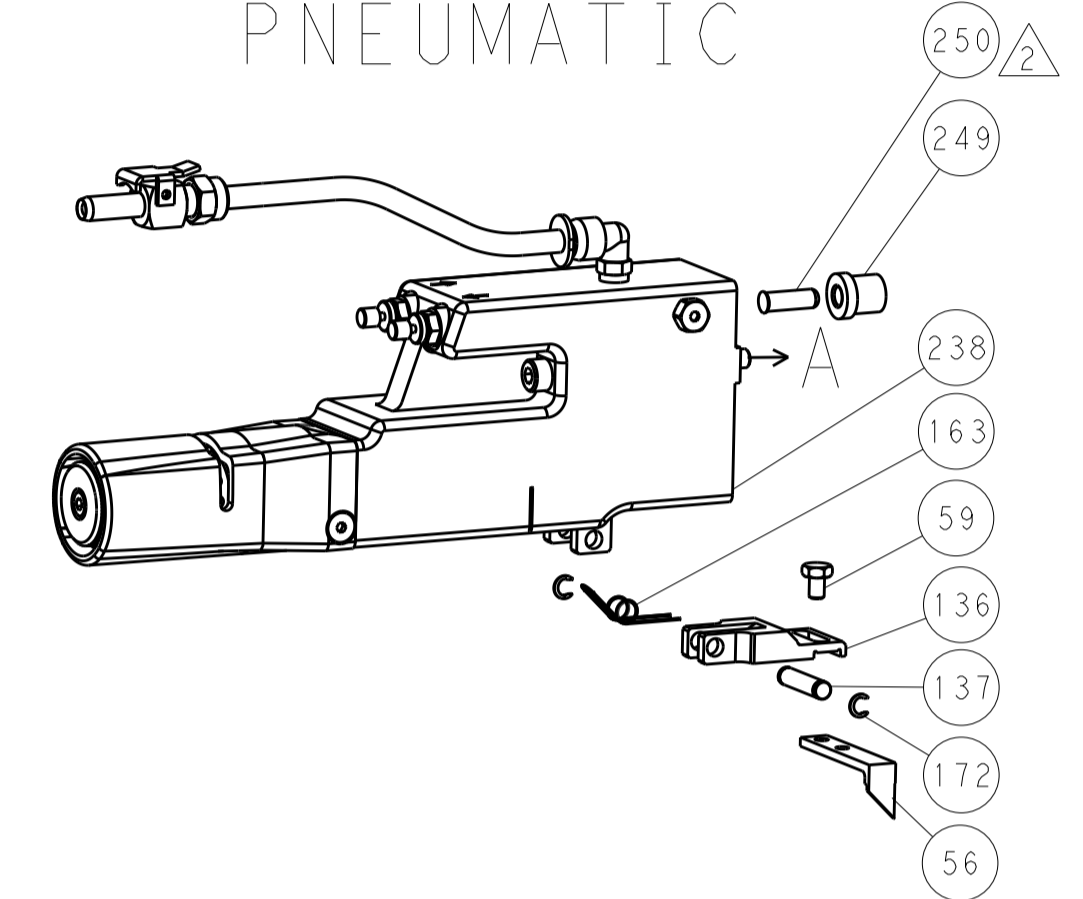
LOC	DIST	REV	DATE	APVD
A	66			

REVISIONS				
REV	DATE	DESCRIPTION	BY	CHK
		SEE SHEET 1		

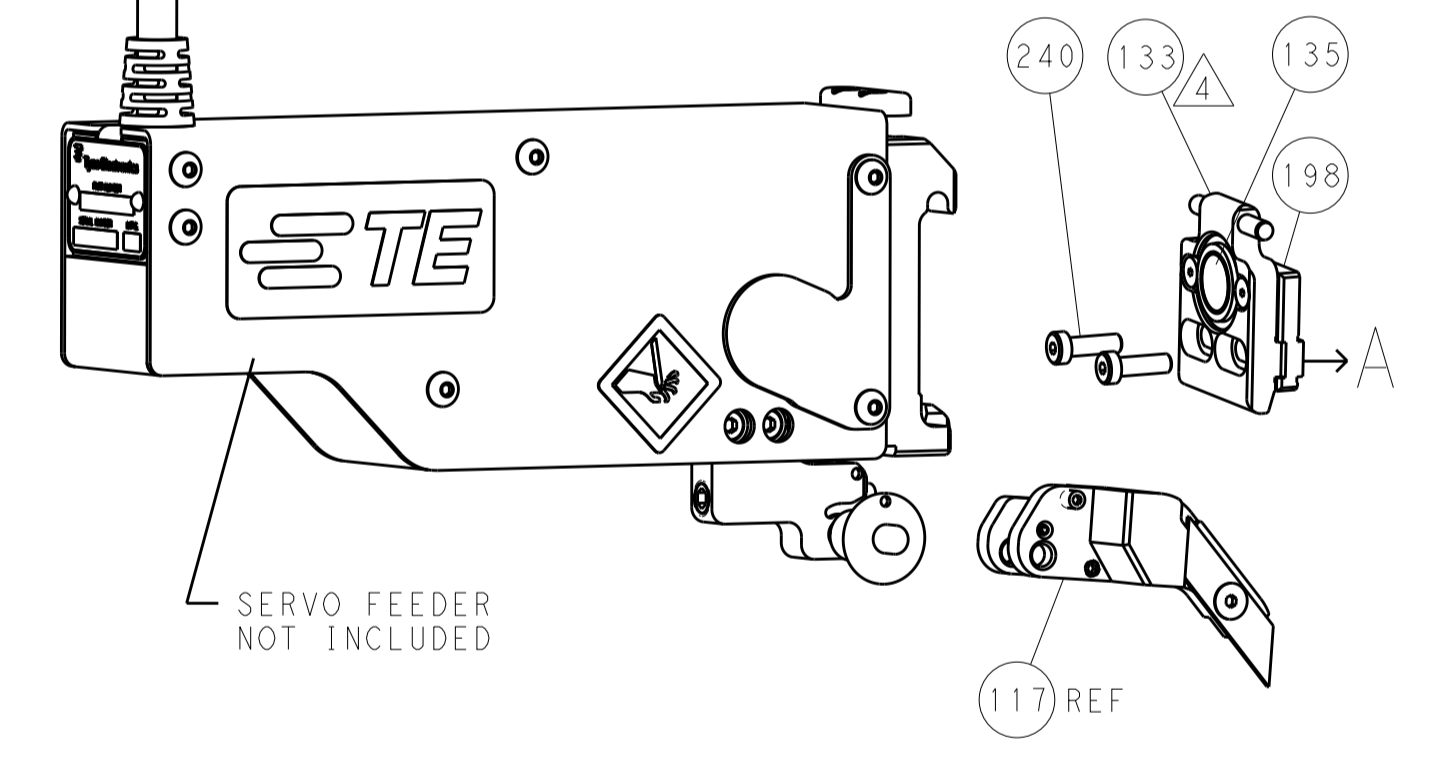
FEED TYPE MECHANICAL



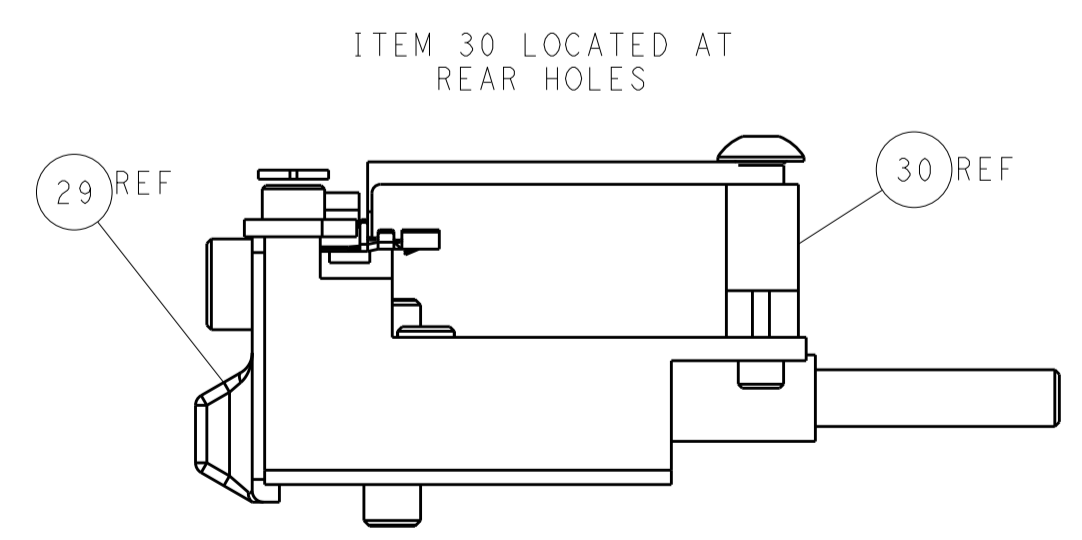
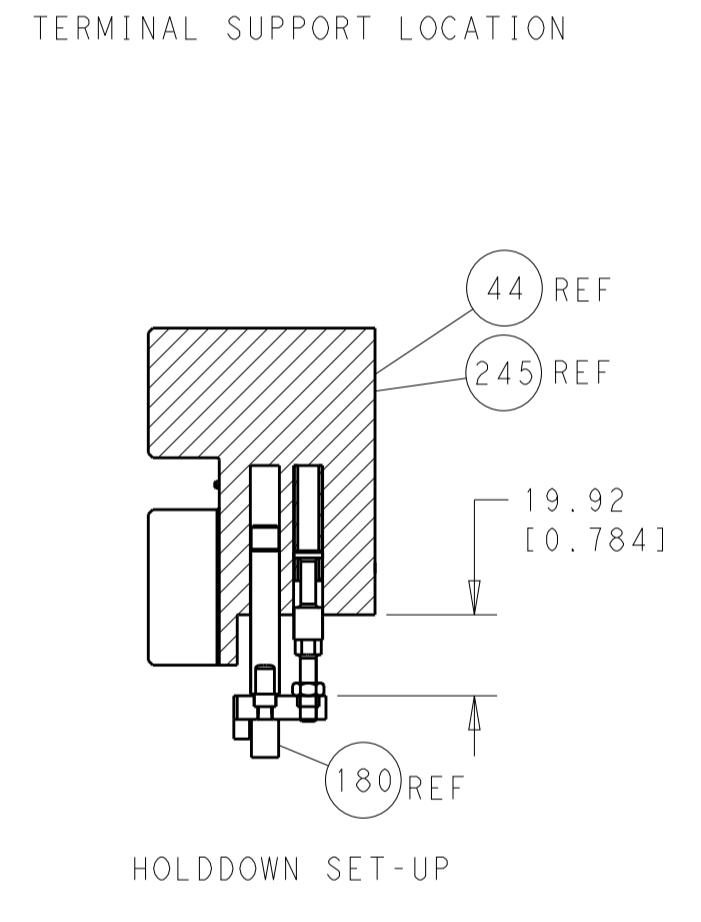
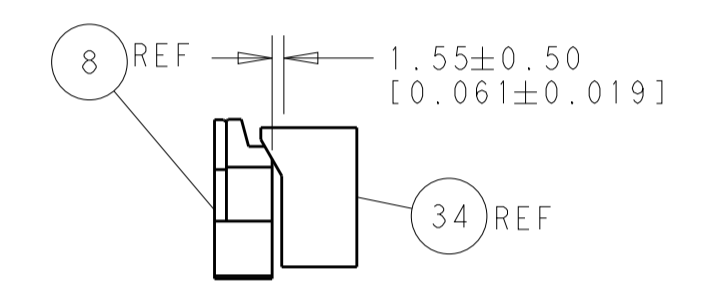
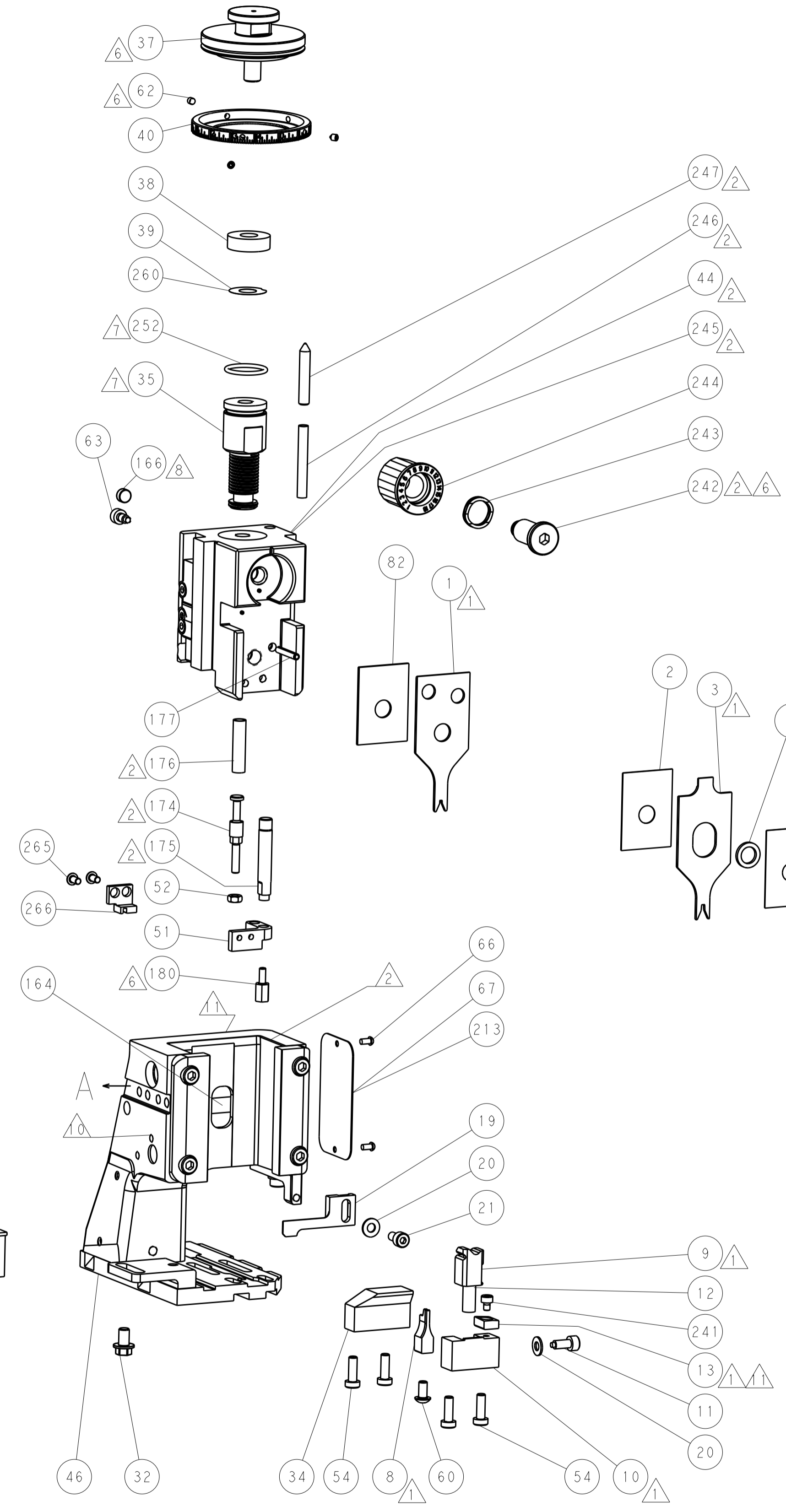
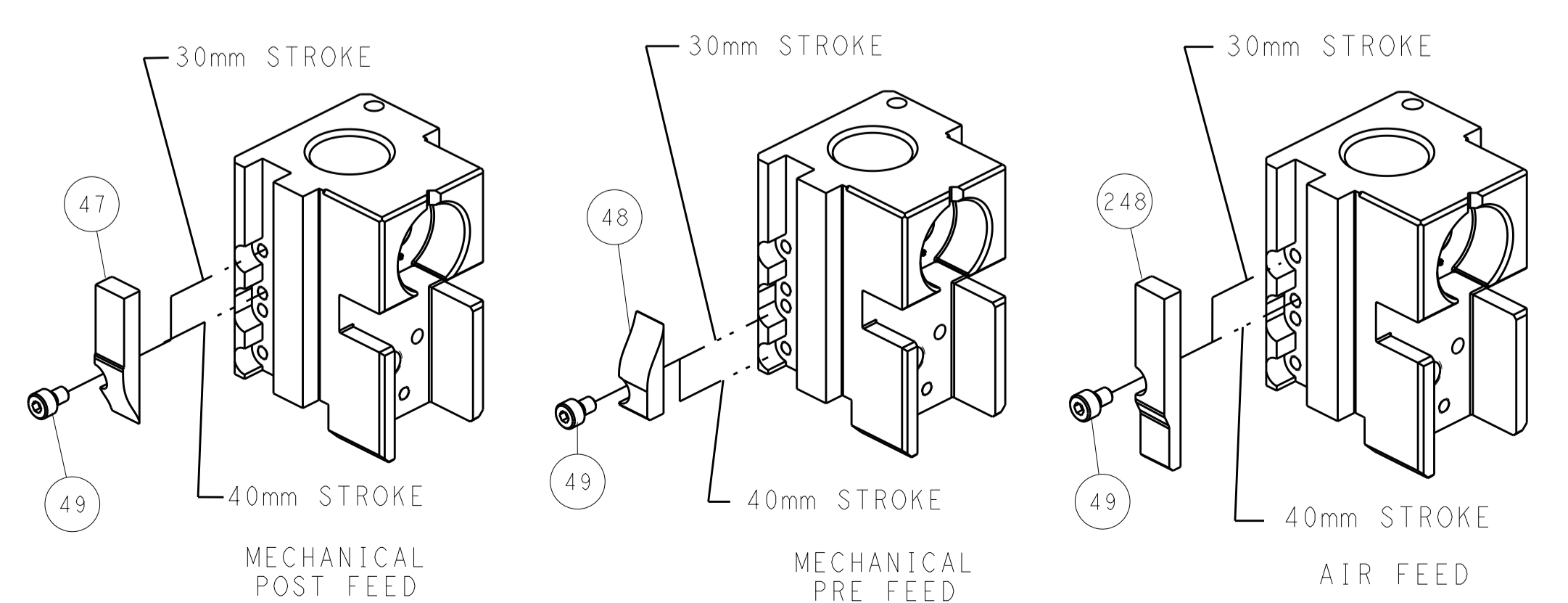
PNEUMATIC



SERVO LATCH PLATE



CAM POSITIONS



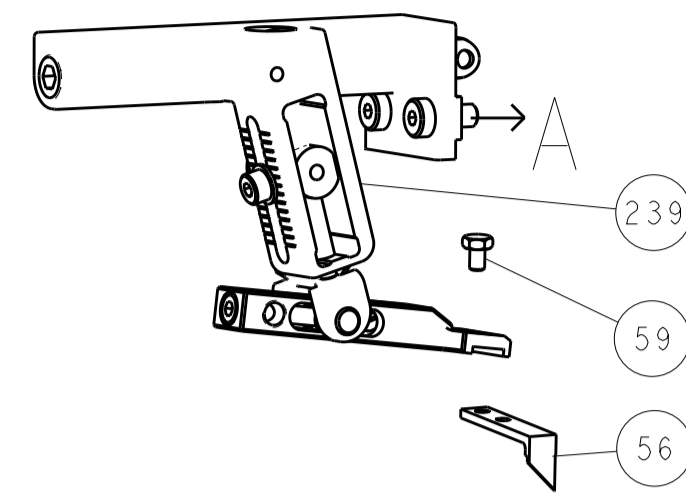
FEED TRACK POSITION GUIDE BY INSULATION BARREL

ATLANTIC VERSION
 Shown on sheets 1 of 4 & 2 of 4
 (Pacific version shown on sheets 3 of 4 & 4 of 4)

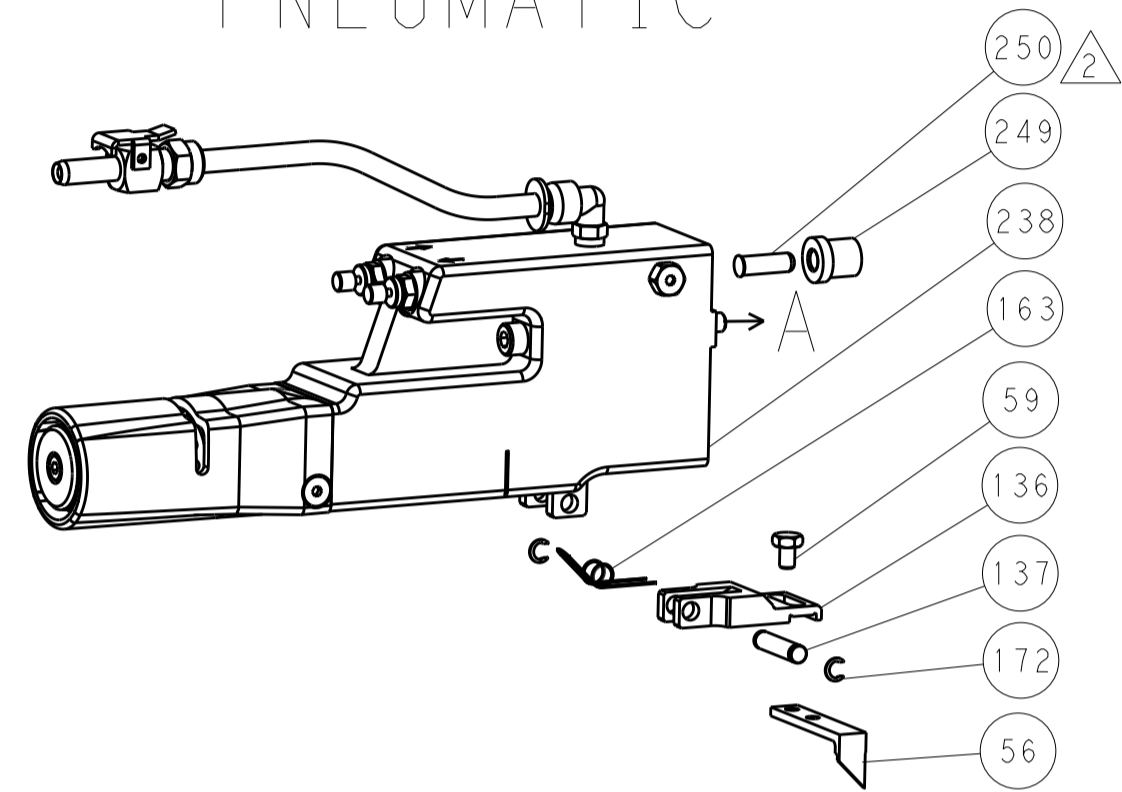
DIMENSIONS:		TOLERANCES UNLESS OTHERWISE SPECIFIED:		DWG	DATE	TE Connectivity	
mm	0 PLC ±0.5	1 PLC ±0.5	2 PLC ±0.13	HOU	11DEC2014	Harrisburg, PA 17105-3608	
	3 PLC ±0.013	4 PLC ±0.001	ANGLES ±	L. ZHANG	11DEC2014	NAME: Ocean Side Feed Applicator	
MATERIAL:	FINISH:	WEIGHT:	SCALE:	APVD:	DATE:	SIZE: A1	RESTRICTED TO
			1:2	H. GUO		CAGE CODE: 00779	
						DRAWING NO: C=2266582	
						SHEET 2 OF 4	REV A

REVISONS			DATE	DWN	APVD
LOC	DIST	P. LTH	DESCRIPTION		
A	66	-	SEE SHEET 1	-	-

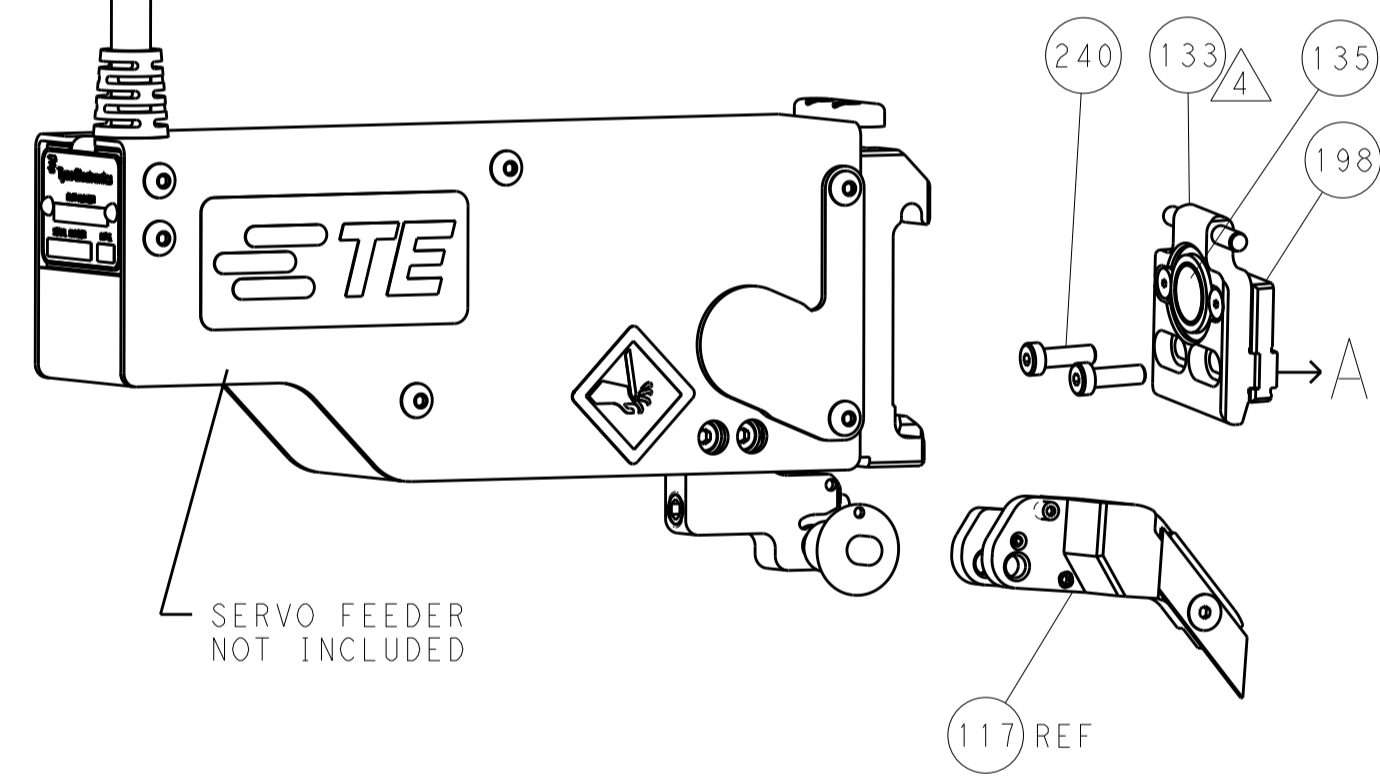
FEED TYPE MECHANICAL



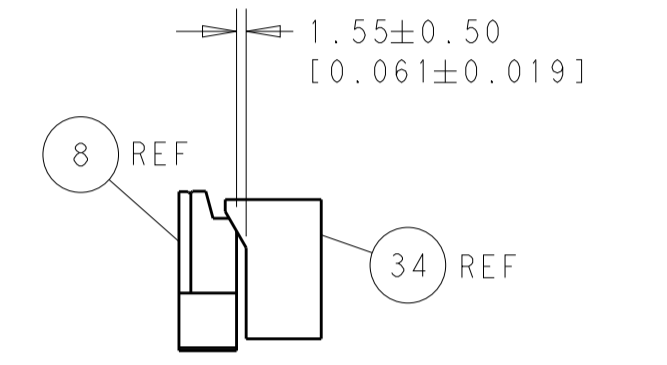
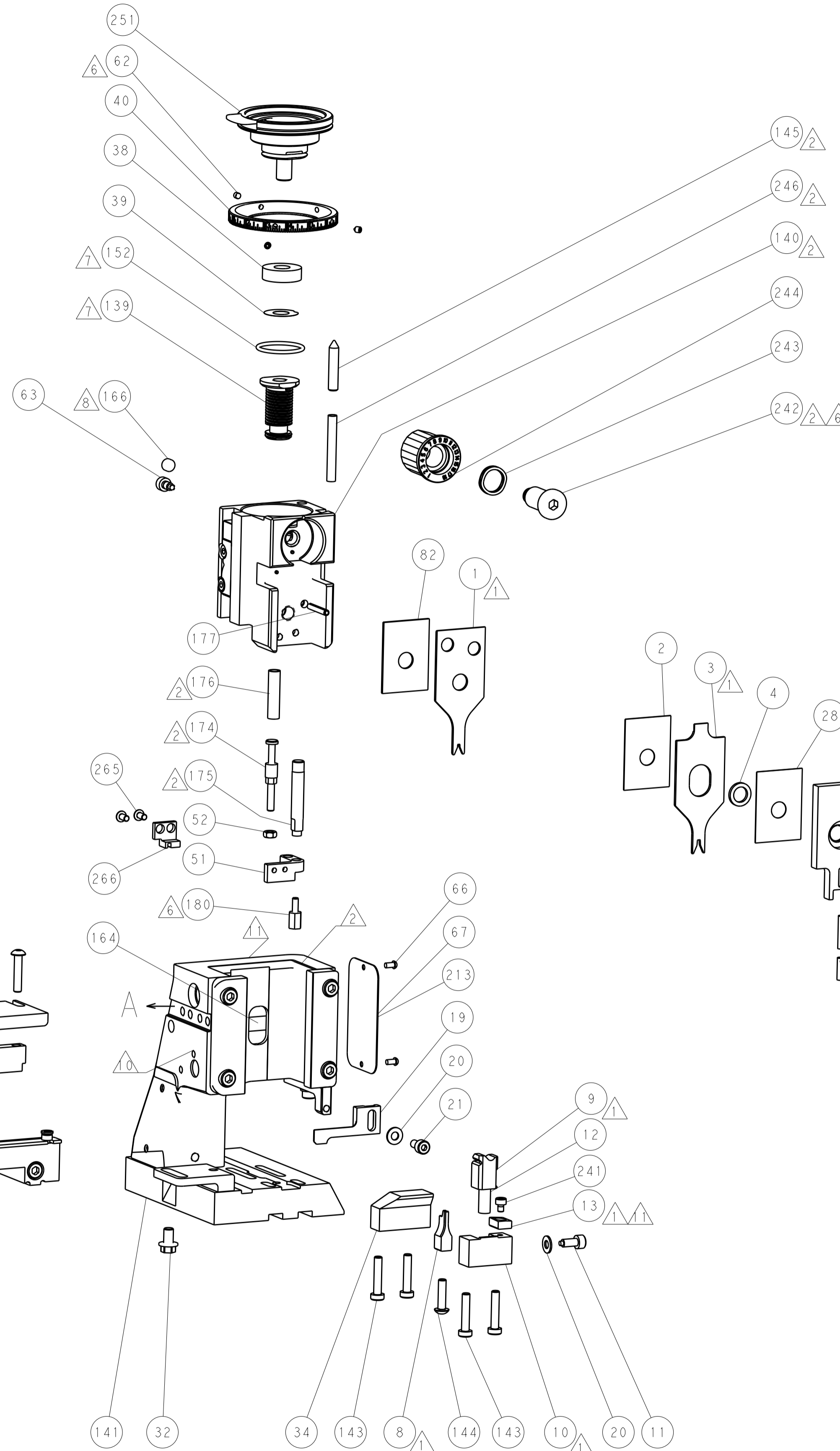
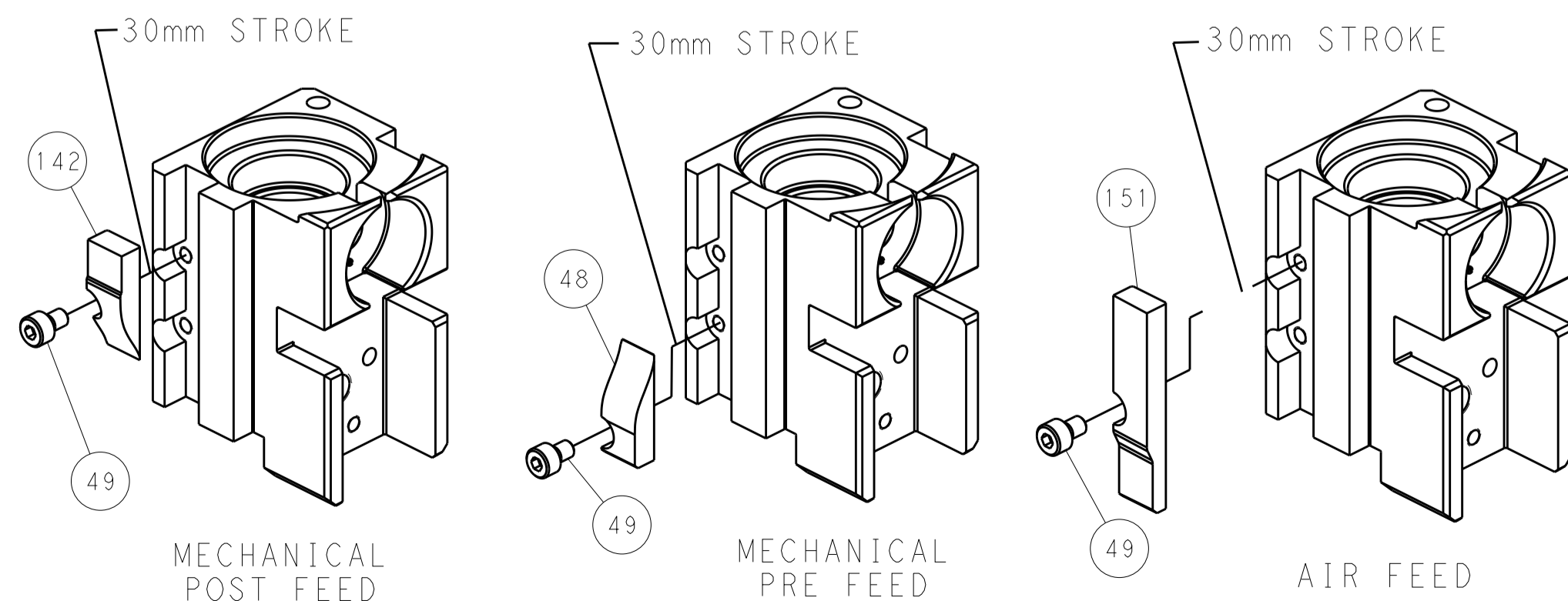
PNEUMATIC



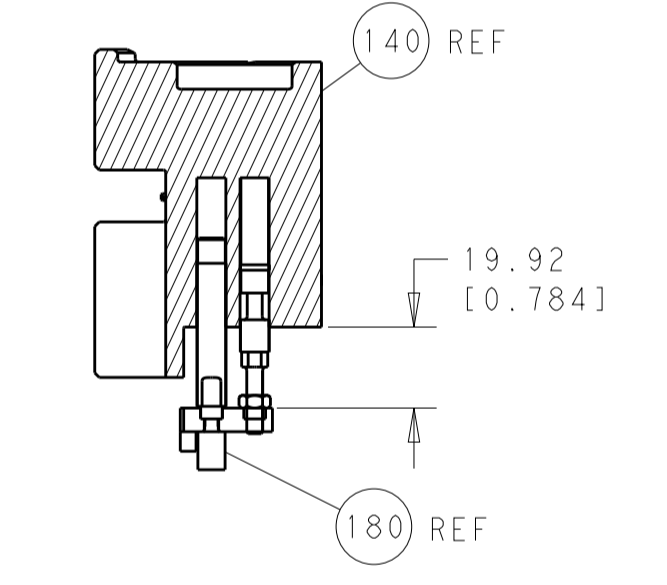
SERVO LATCH PLATE



CAM POSITIONS

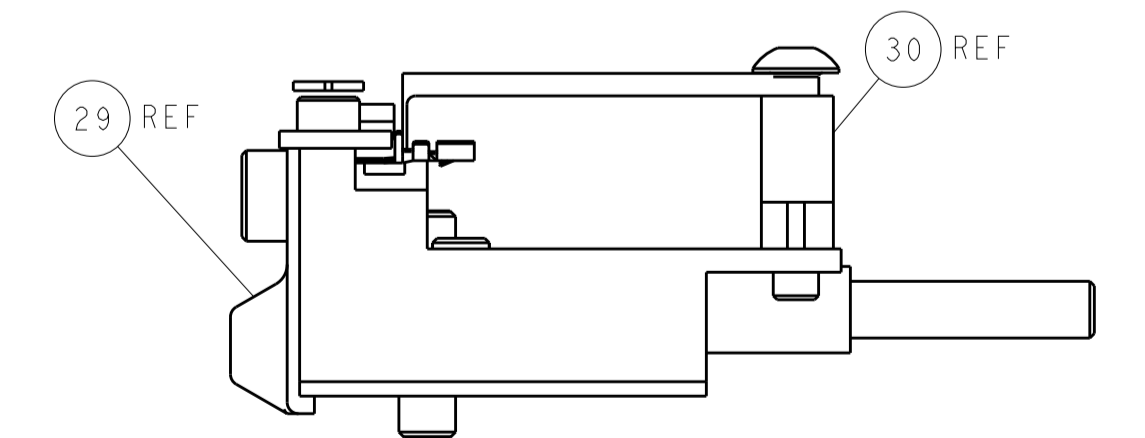


TERMINAL SUPPORT LOCATION



HOLDDOWN SET-UP

ITEM 30 LOCATED AT REAR HOLES



FEED TRACK POSITION
GUIDE BY INSULATION BARREL

PACIFIC VERSION
Shown on sheets 3 of 4 & 4 of 4
(Atlantic version shown on sheets 1 of 4 & 2 of 4)

<small>THIS DRAWING IS UNPUBLISHED. RELEASED FOR PUBLICATION. COPYRIGHT © 20 BY TFCO ELECTRONICS CORPORATION. ALL RIGHTS RESERVED.</small> DIMENSIONS: mm FINISH MATERIAL		TOLERANCES UNLESS OTHERWISE SPECIFIED: 0 PLC ±0.5 1 PLC ±0.13 3 PLC ±0.013 4 PLC ±0.001 ANGLES ±0.001	DWN: J. HOU CHK: L. ZHANG APVD: H. GUO 11DEC2014 11DEC2014 11DEC2014	NAME: Ocean Side Feed Applicator SIZE: A1 CAGE CODE: 00779 DRAWING NO: C-2266582	TE Connectivity Harrisburg, PA 17105-3608 RESTRICTED TO SCALE: 1:2 SHEET: 4 OF: 4 REV: A
------------------------------------------------------------------------------------------------------------------------------------------------------------------------------------	--	----------------------------------------------------------------------------------------------------------------------	-------------------------------------------------------------------------------------	-------------------------------------------------------------------------------------------	------------------------------------------------------------------------------------------------------------