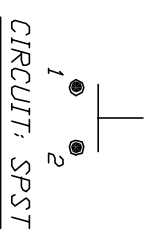
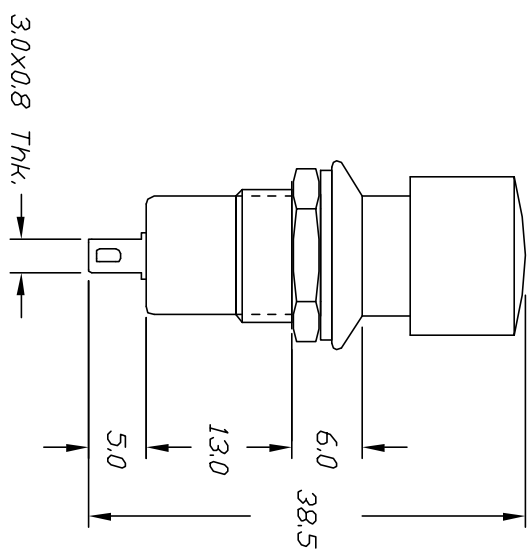


RECOMMEND PANEL LAYOUT



CONTACT CONFIGURATION

DFE (DN)

() = Momentary

NOTES:

1. ALL DIMENSIONS IN MM
2. TERM. NDS. FOR REF ONLY
3. RATING: 3A 125VAC

TOLERANCES		TITLE		SCALE		DATE		DR		DWG		REV	
0.0	±0.4	PS 1040A (RED BUTTON)		1.5:1	3/4/97	MM		F010400	A				
0.00	±0.25												

E-SWITCH®

RELEASED FOR PRODUCTION

DESCRIPTION

DATE

CHKD

THE INFORMATION CONTAINED IN THIS DOCUMENT IS PROPRIETARY TO E-SWITCH AND IS NOT TO BE COPIED OR TRANSMITTED