

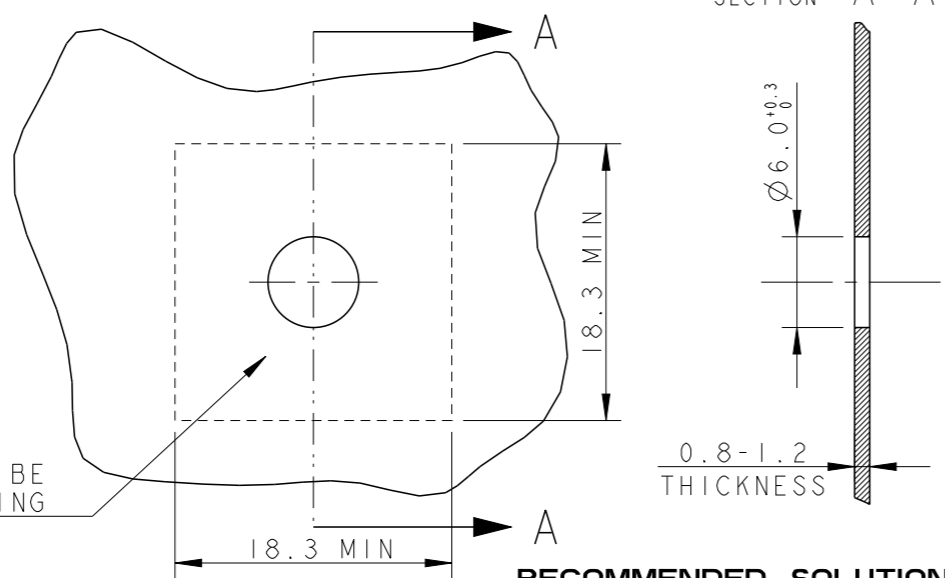
REVISIONS

P	LTR	DESCRIPTION	DATE	DWN	APVD
	A1	ECR-15-017072	23NOV2015	SS	RR

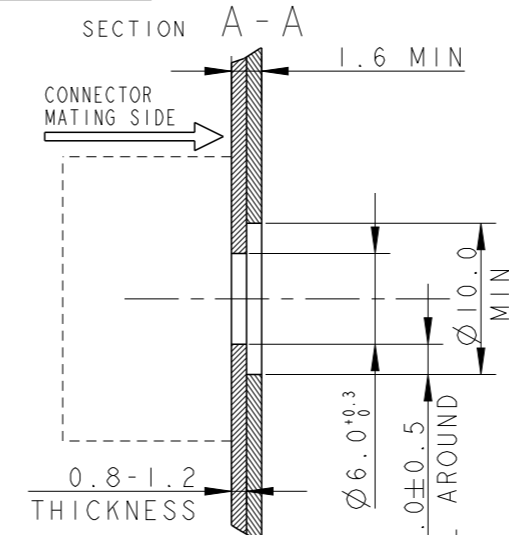
PANEL CUTOUT  
(HOLE DIMENSION)  
SCALE 2:1

NO BURRS ACCEPTED  
AROUND THE EDGES  
OF THE HOLES

FLAT AREA TO BE  
FREE FOR THE LOCKING

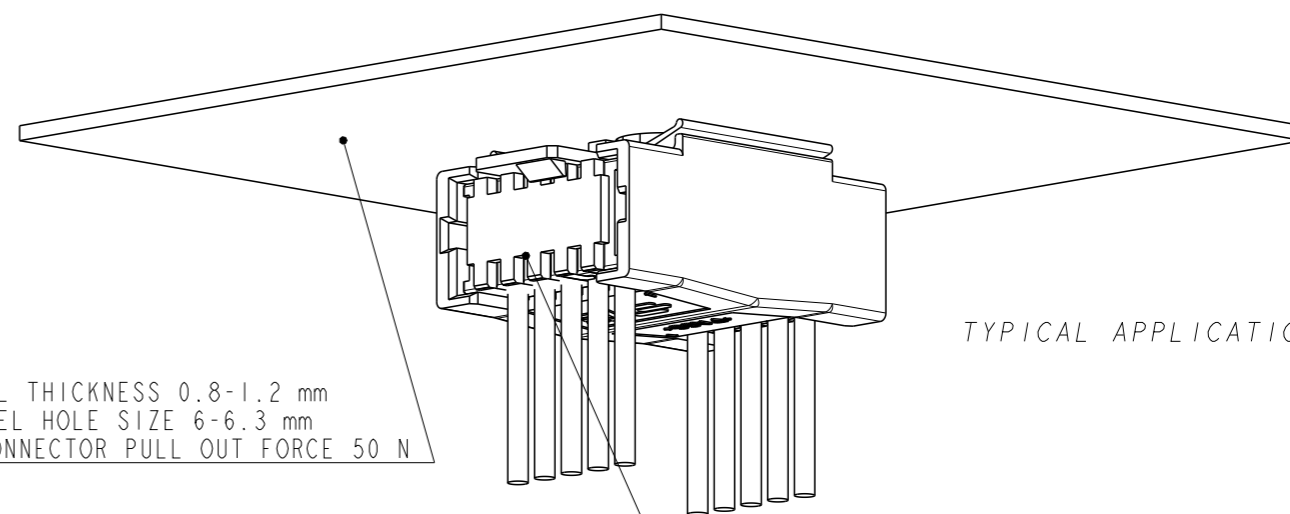
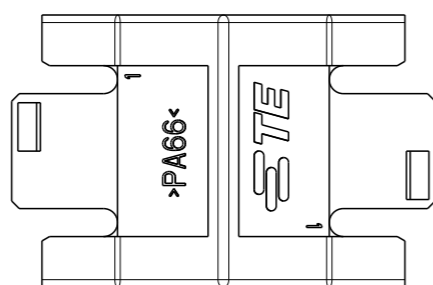


RECOMMENDED SOLUTION



ACCEPTABLE SOLUTION  
(OVERLAPPED PANEL)

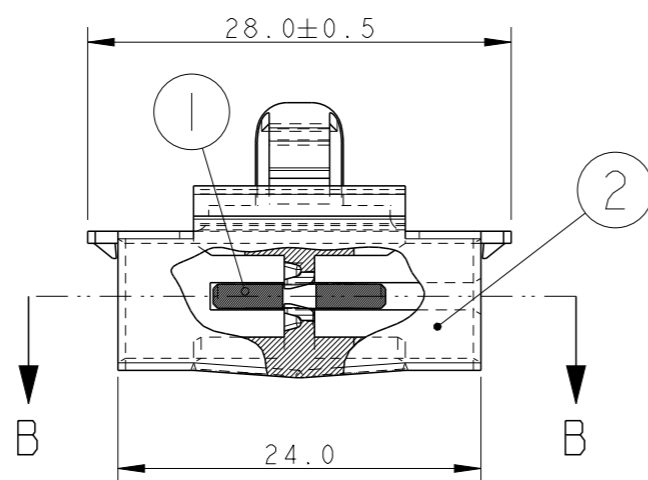
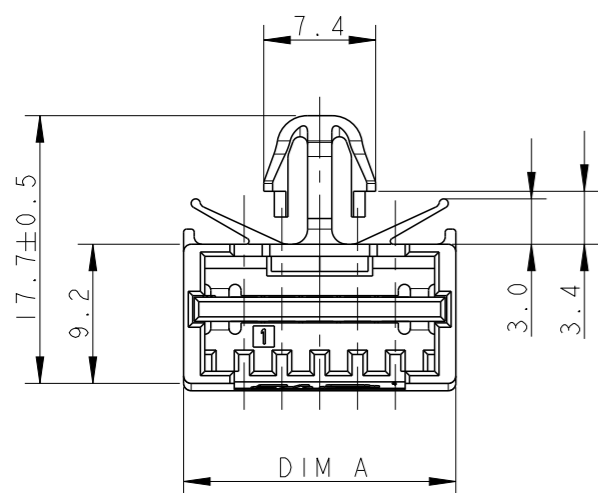
- 1 MATERIAL: POLYAMMIDE ACCORDING TO REQUIREMENT OF NORM IEC 60335-1 (GLOW WIRE TEST 750°C NO FLAME)
- 2 3 POS. - 4 POS. - 5 POS. STANDARD DUOPLUG FEMALE CONNECTOR 2.5mm PITCH. THE 3 POS. DUOPLUG MUST MATE WAY N° 2-3-4 OF THE MALE CONNECTOR (CENTERED).
- 3 PRELIMINARY PART. NOT YET RELEASED FOR PRODUCTION.



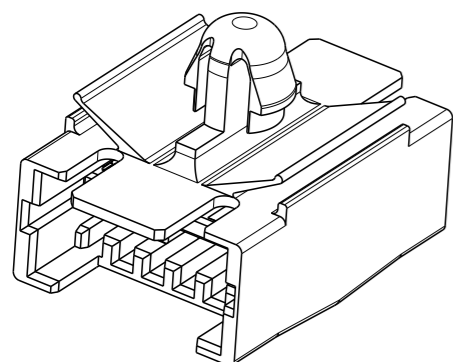
TYPICAL APPLICATION

PANEL THICKNESS 0.8-1.2 mm  
PANEL HOLE SIZE 6-6.3 mm  
MINIMUM CONNECTOR PULL OUT FORCE 50 N

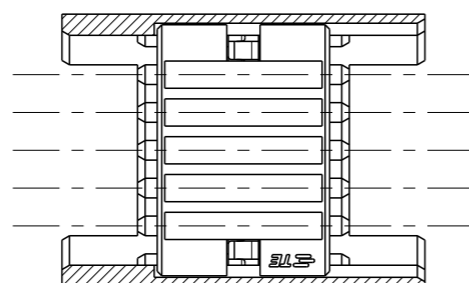
DUOPLUG FEMALE 2.5mm PITCH



25.50	8		EPOXY RESIN	1	8-293036-1	3
23.00	7		EPOXY RESIN	1	7-293036-1	3
18.00	5	2	EPOXY RESIN	1	293036-1	
DIM A	NO OF POSN.	DUOPLUG FEMALE MATING PART	1 P.C.B.	2 HOUSING	PART NUMBER	
			MATERIAL			



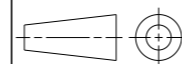
293036-1 AS SHOWN



SECTION B-B

THIS DRAWING IS A CONTROLLED DOCUMENT.

DIMENSIONS:  
mm



MATERIAL  
SEE TABLE

TOLERANCES UNLESS OTHERWISE SPECIFIED:

0 PLC	±0.5
1 PLC	±0.3
2 PLC	±
3 PLC	±
4 PLC	±
ANGLES	±1°
FINISH	-

DWN IIMAY2004

D. CHIARELLI

CHK IIMAY2004

G. TURCO

APVD IIMAY2004

G. TURCO

PRODUCT SPEC

APPLICATION SPEC

WEIGHT

2.74g REF.

NAME  
MALE CONNECTOR ASS'Y  
FOR DUOPLUG 2.5.

SIZE CAGE CODE DRAWING NO RESTRICTED TO

A3 - C-293036 -

Customer Drawing SCALE 2:1 SHEET 1 OF 1 REV A1

