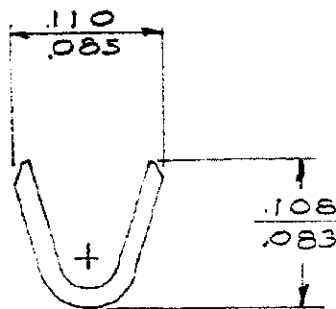
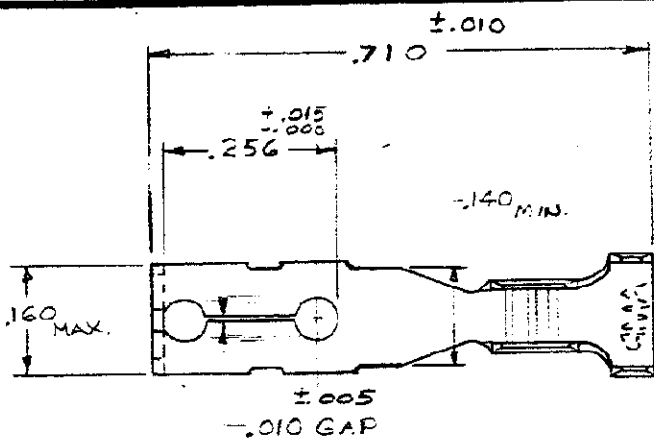
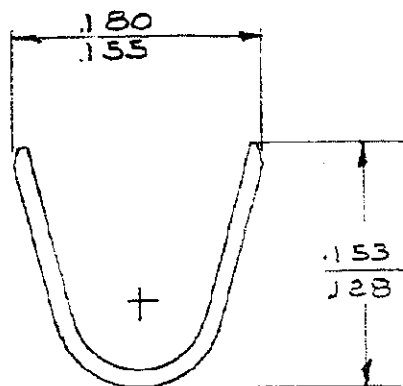
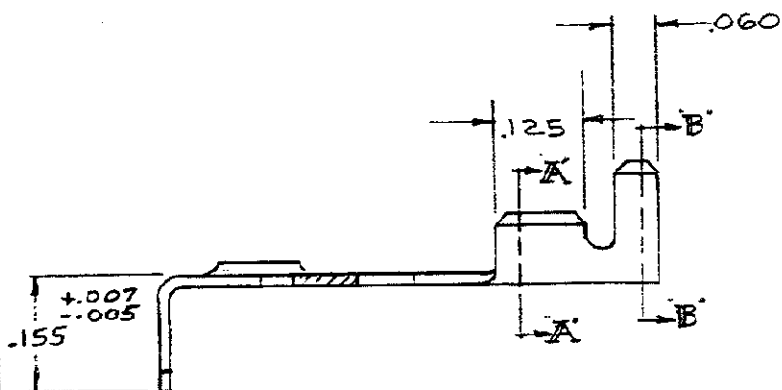


NUMBER
61656

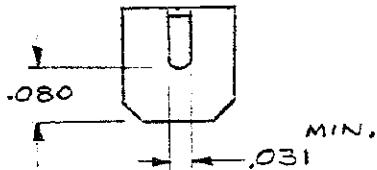


SECT. A-A



SECT. B-B

TERMINAL
NUMBER
61656-1



FRONT VIEW

DIMENSIONS IN INCHES. DO NOT SCALE PRINT.

©1969 BY AMP INCORPORATED. ALL RIGHTS RESERVED. AMP PRODUCTS COVERED BY PATENTS AND/OR PATENTS PENDING.

CUSTOMER COPY
REFERENCE ONLY

| | | | |
|---|--------------------------|-----|-------------|
| C | Revised A 47 | AP | 2/18 |
| B | RELEASED REVISED 1600 | NEP | 4/1/69 |
| A | REVISED | AP | 1507 4/1/69 |

MATERIAL AND FINISH
.012 PH-BRONZE
NONE

AMP AMP INCORPORATED
HARRISBURG, PENNA.

CLASS N

TYPE A

WIRE RANGE INSULATION
22-18 .075-.110

TOLERANCE EXCEPT AS NOTED
= .015 = 1' 0'

LOC AF A NO 61656 REV C

REVISION RECORD DR CHK DATE

DR N.E. NEFF 3/27/69 DE DIM PRITZL-SKY 5-28-69

NAME CLIP, TAB

PRINT 50