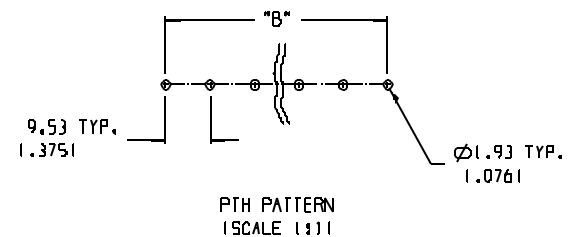
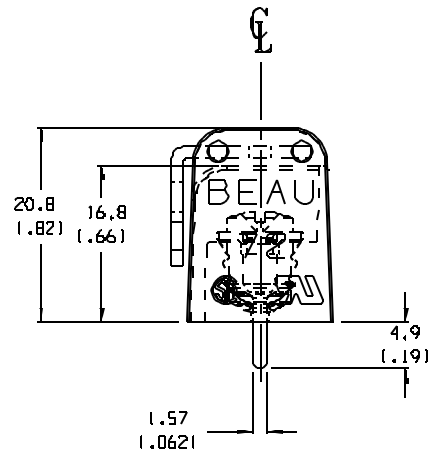
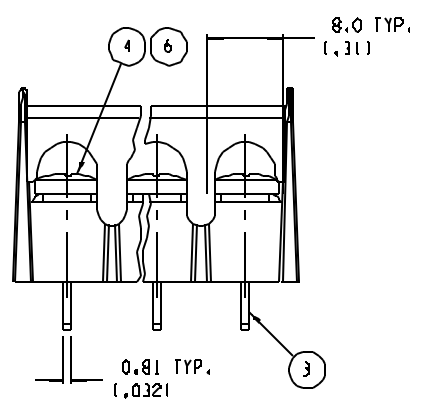


3 CIRCUIT SHOWN



PTH PATTERN (SCALE 1:1)

- NOTES:
1. MATERIAL: SEE TABLE
 2. FINISHES: SEE TABLE
 3. PRODUCT SPECIFICATION: NOT REQUIRED
 4. PACKAGING: NOT REQUIRED
 5. MATES WITH: NONE
 6. -47 OPTION REFERS TO SCREWS UP IN WIRE-READY POSITION.



ITEM	QTY.	DESCRIPTION	MATERIAL	FINISH
6	XX	SCREW, #6-32X.250, BHD PHIL-SLOT (-49 OPT)	BRASS	NICKEL PLATE
5	XX	SCREW, #6-32X.250, PAN HD PH-SL W/WASHER (-50 OPT)	STEEL	ZN, CLEAR CHROMATE
4	XX	SCREW, #6-32X.250, BHD PHIL-SLOT (STD)	STEEL	ZN, CLEAR CHROMATE
3	XX	TERMINAL, PCKT	BRASS	TIN PLATE
2	1	COVER, HINGE	THERMOPLASTIC	BLACK
1	1	INSULATOR, SR, PC, CS, NO MTG.	THERMOPLASTIC	BLACK

EC NO. ECNF #324	DRWN: CY 11-22-05
CHK: APPR:	REV: DESCRIPTION
MAJOR	CRITICAL
SPEC	

GENERAL TOLERANCES (UNLESS SPECIFIED)	
MM	INCH
4 PLACES	±.0015
3 PLACES	±.005
2 PLACES	±.01
1 PLACE	±.03
ANGULAR: ±2°	

SCALE: 2:1	DESIGN UNITS: <input type="checkbox"/> MM <input checked="" type="checkbox"/> INCH
DRAWN BY & DATE: V. HOWARD 11/19/03	
CHECKED BY & DATE: R. KEMP 11/19/03	
APPROVED BY & DATE: P. WALTZ 11/19/03	
CAP FILENAME: 72R5XX-C-H	

PROJECT NO.:	1	-
DIMENSIONS:	SH	REV
<input checked="" type="checkbox"/> MM <input type="checkbox"/> INCH	<input type="checkbox"/> MM ONLY	REVISE ON CAD ONLY
TITLE: 9.53mm (.375") SR BTS, PC, CS ASY W/COVER, NO MTG.		
MOLEX INCORPORATED		
MATERIAL NO.:	DRAWING NO.:	SHEET NO.:
SEE CHART	SD-38729-020	1 OF 2
THIS DRAWING CONTAINS INFORMATION THAT IS PROPRIETARY TO MOLEX INCORPORATED AND SHOULD NOT BE USED WITHOUT WRITTEN PERMISSION.		SIZE: B

NUMBER OF CIRCUITS "XX"	DIM. "A"	DIM. "B"	MATERIAL NO. (-C, -H, -47, -50)	MATERIAL NO. (-C, -H, -50)	MATERIAL NO. (-C, -H, -49)	MATERIAL NO. (-C, -H)
02	21.1 (.83)	9.53 (.375)		38729-139		38729-1480
03	30.7 (1.21)	19.05 (.750)	38729-1387	38729-1096	38729-1496	38729-1254
04	40.1 (1.58)	28.58 (1.125)			38729-1377	38729-1309
05	49.8 (1.96)	38.10 (1.500)		38729-1097		38729-1095
06	59.2 (2.33)	47.63 (1.875)		38729-1099		38729-1365
07	68.8 (2.71)	57.15 (2.250)		38729-1100		
08	78.3 (3.08)	66.68 (2.625)				
09	87.8 (3.46)	76.20 (3.000)				
10	97.3 (3.83)	85.73 (3.375)				
11	106.9 (4.21)	95.25 (3.750)				
12	116.3 (4.58)	104.78 (4.125)		38729-1102		

EC NO. SEE SHT 1		QUALITY SYMBOLS MAJOR CRITICAL SPC S	GENERAL TOLERANCES (UNLESS SPECIFIED) mm inch		SCALE: N/A DRAWN BY & DATE: V. HOWARD 11/19/03 CHECKED BY & DATE: R. KEMP 11/19/03 APPROVED BY & DATE: P. WALTZ 11/19/03 CAP FILENAME: 72R5XX-C-H	THIRD ANGLE PROJECTION TITLE: 9.53mm (.375") SR BTS, PC, CS ASY W/COVER, NO MTG. MOLEX INCORPORATED	PROJECT NO.: DIMENSIONS:	SHEET NO.: 2 OF 2 DRAWING NO.: SD-38729-020
DRWN: CHK: APPR: REV DESCRIPTION	4 PLACES ±.0015 3 PLACES ±.038 ±.005 2 PLACES ±.13 ±.01 1 PLACE ±.3 ANGULAR: ±2° DRAFT WHERE APPLICABLE MUST REMAIN WITHIN DIMENSIONS		DRAWN BY & DATE: V. HOWARD 11/19/03 CHECKED BY & DATE: R. KEMP 11/19/03 APPROVED BY & DATE: P. WALTZ 11/19/03 CAP FILENAME: 72R5XX-C-H	DIMENSIONS: <input checked="" type="checkbox"/> INCH <input type="checkbox"/> MM <input type="checkbox"/> INCH <input type="checkbox"/> MM <input type="checkbox"/> MM ONLY	SHEET NO.: 2 OF 2 DRAWING NO.: SD-38729-020	MATERIAL NO. SEE CHART DRAWING NO. SD-38729-020 SHEET NO. 2 OF 2 SIZE B		

THIS DRAWING CONTAINS INFORMATION THAT IS PROPRIETARY TO MOLEX INCORPORATED AND SHOULD NOT BE USED WITHOUT WRITTEN PERMISSION.