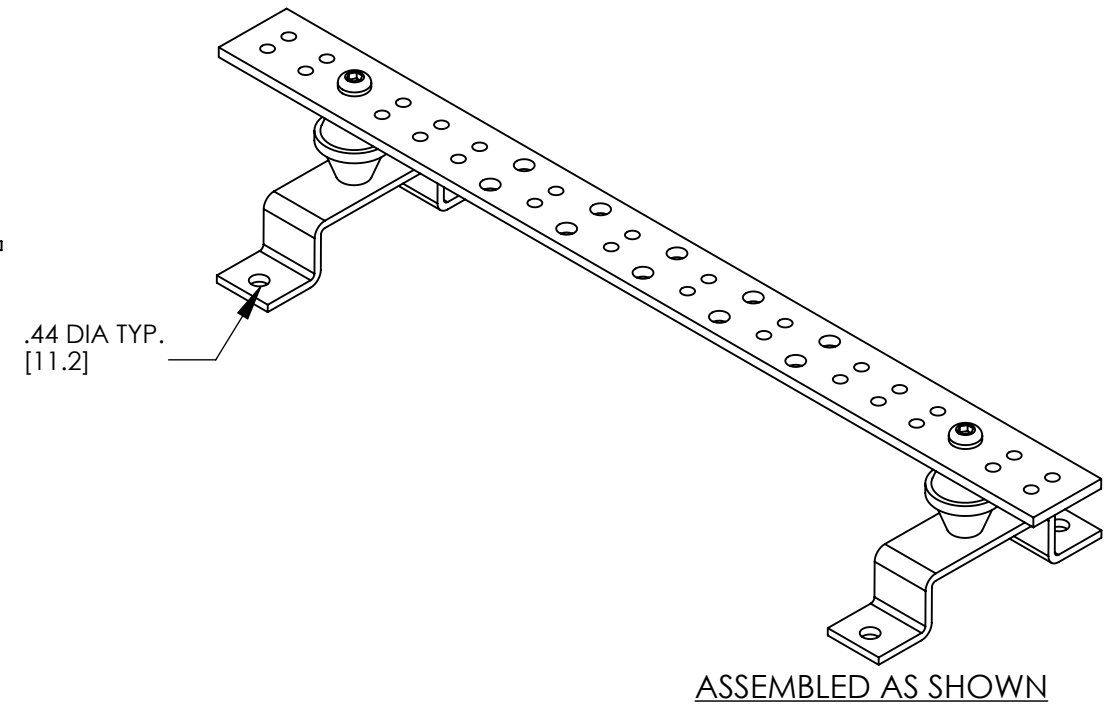
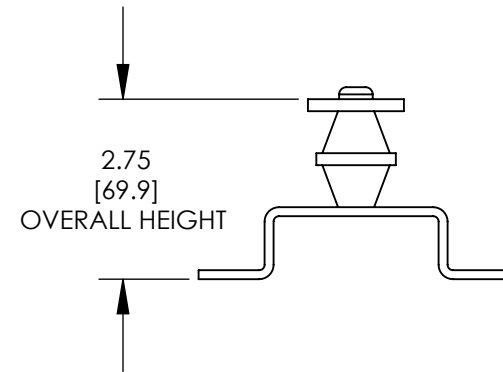
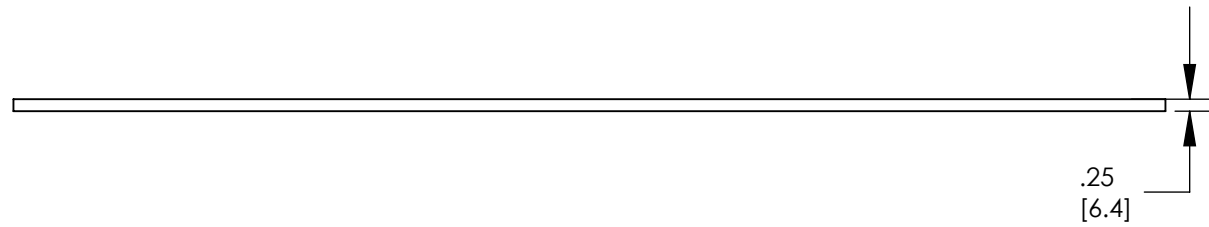
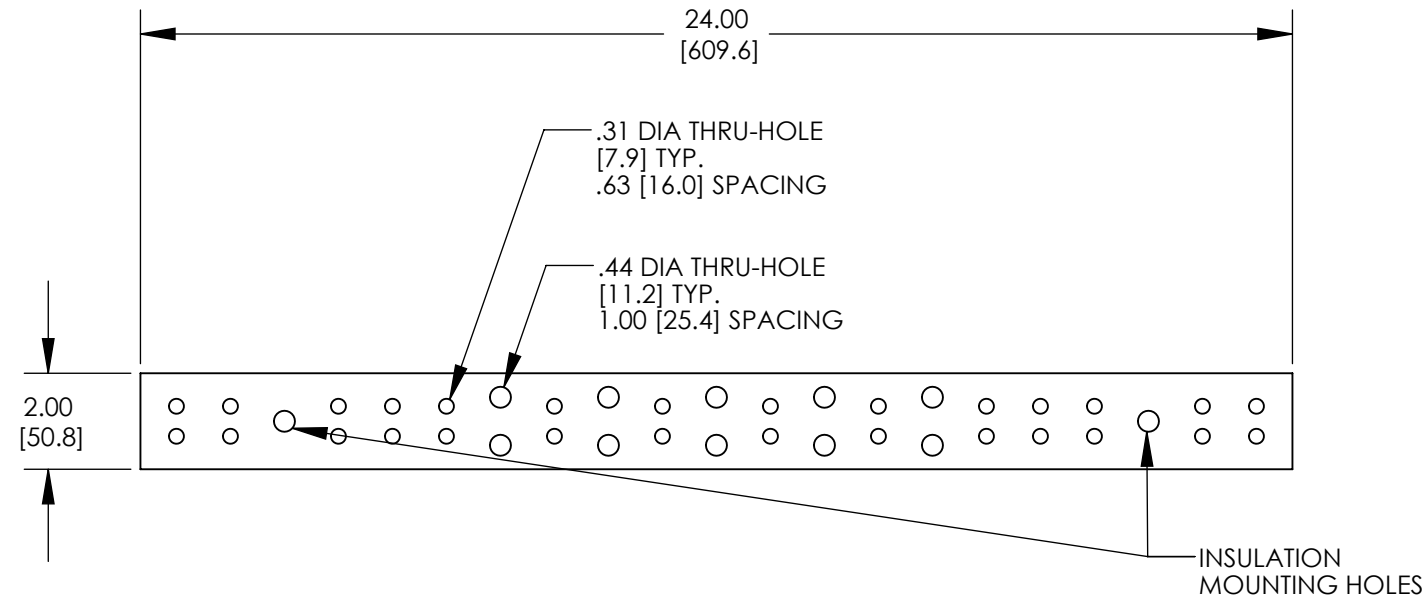


THIS COPY IS PROVIDED ON A RESTRICTED BASIS AND IS NOT TO BE USED IN ANY WAY DETRIMENTAL TO THE INTERESTS OF PANDUIT CORP.



NOTES:

1. KIT COMES FULLY ASSEMBLED
2. KIT INCLUDES BUSBAR, MOUNTING BRACKETS, INSULATORS, AND MOUNTING HARDWARE.
3. MEETS BICSI/ANSI/TIA-607-D
4. DIMENSIONS IN PARENTHESIS ARE MILLIMETERS.



							TITLE TGB BCSI GROUNDING BUSBAR (GB2B0514TPI) CUSTOMER DRAWING					
							ITEM REVISION NAME	N41741BA/06			<b>PANDUIT</b>	
							DATASET FILE NAME	C41741 r06.SLDDRW				
							UNLESS OTHERWISE SPECIFIED, DIMENSIONAL TOLERANCES ARE: IN [mm]				MATERIAL	
							.X ±	.XXX ±			DRAWING NUMBER C41741	
							.XX ±	ANGLES ±				
							THIRD ANGLE PROJECTION					
06	3/22	JHNU	JHNU	ALP	REVISED NOTE 3: MEETS BICSI/ANSI/TIA-607-D WAS MEETS BICSI/J-STD-607-A REVISED TITLE BLOCK	119913	DRAWN BY	DATE	CHK	SCALE	SHEET 1 OF 1	SIZE B
REV	DATE	BY	CHK	APR	DESCRIPTION	ECN	JHNU	1/08	DWDA	NONE		