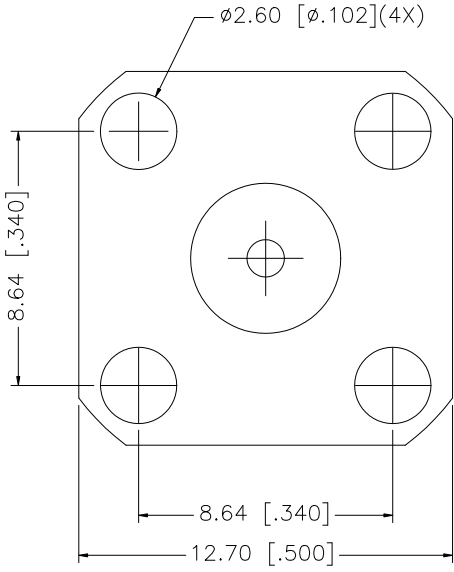
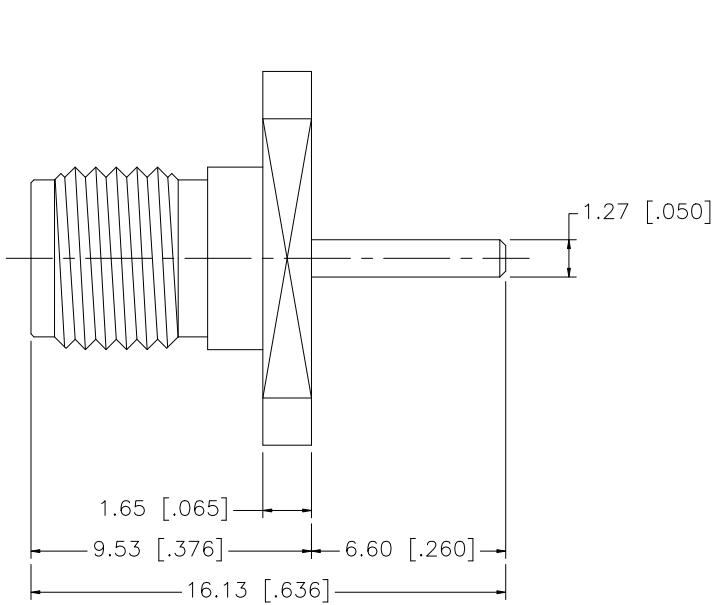


REV.	DATE	DESCRIPTION
A	05/01/04	UPDATE DRAWING FORMAT
B	10/10/07	REMOVE CRIMP NOTES



8				UNLESS OTHERWISE SPECIFIED DIMENSIONS ARE IN MILLIMETERS. DIMENSIONS IN [] ARE IN INCHES AND FOR CUSTOMER REFERENCE ONLY.	APPROVALS	DATE	Amphenol Connex			
7					DRAWN	G.R.S.				
6				UNLESS OTHERWISE SPECIFIED TOLERANCES FOR MILLIMETERS ARE: 0.5 - 8mm ± 0.20mm 8 - 30mm ± 0.40mm 30 - 120mm ± 0.50mm	CHECKED		PART DESCRIPTION SMA PANEL RECEPT. JACK			
5					ISSUED					
4				UNLESS OTHERWISE SPECIFIED TOLERANCES FOR INCHES ARE: .020 - .315 = ± 0.007" .315 - 1.180 = ± 0.015" 1.180 - 4.724 = ± 0.020"	SHEET	1 OF 1	PART NO. 132204			
3	CONTACT PIN	BER. COPPER	GOLD		1	CAD FILE				
2	INSULATOR	TEFLON	NATURAL	1	DWG. NO.	132204.DWG	REV. B	SIZE A	SCALE NA	
1	BODY	BRASS	GOLD	1	DO NOT SCALE DRAWING					
	DESCRIPTION	MATERIAL	FINISH	QTY						