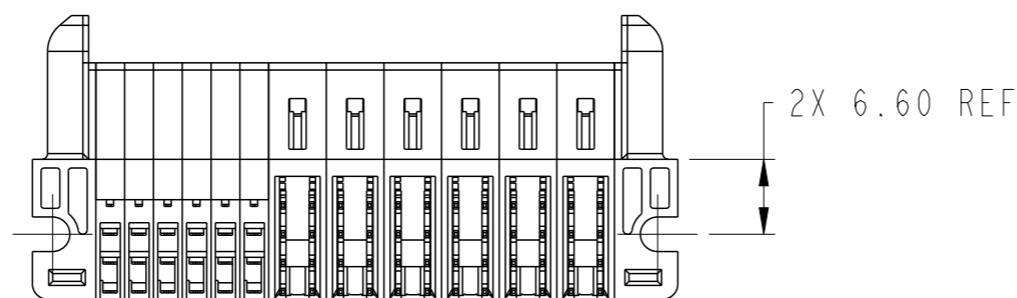
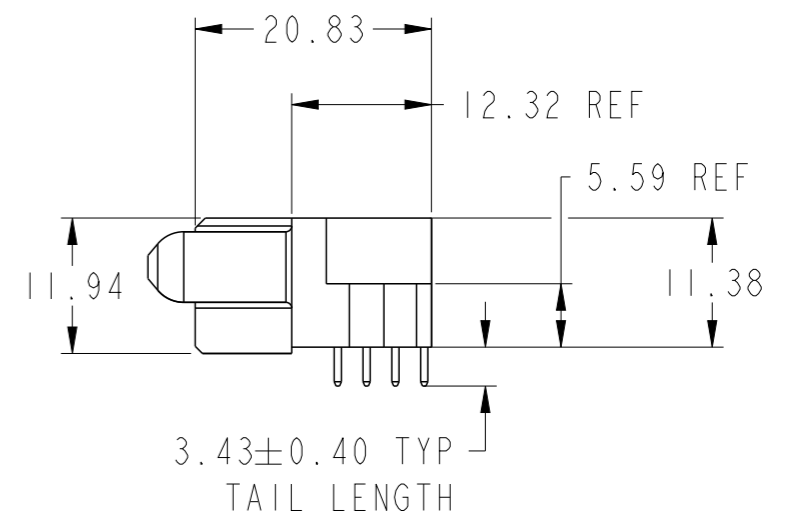
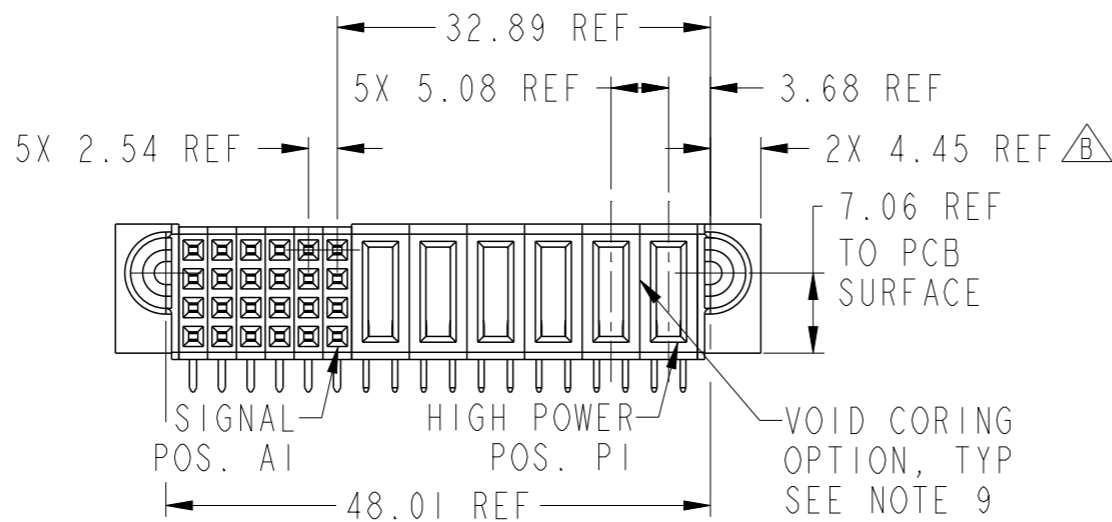
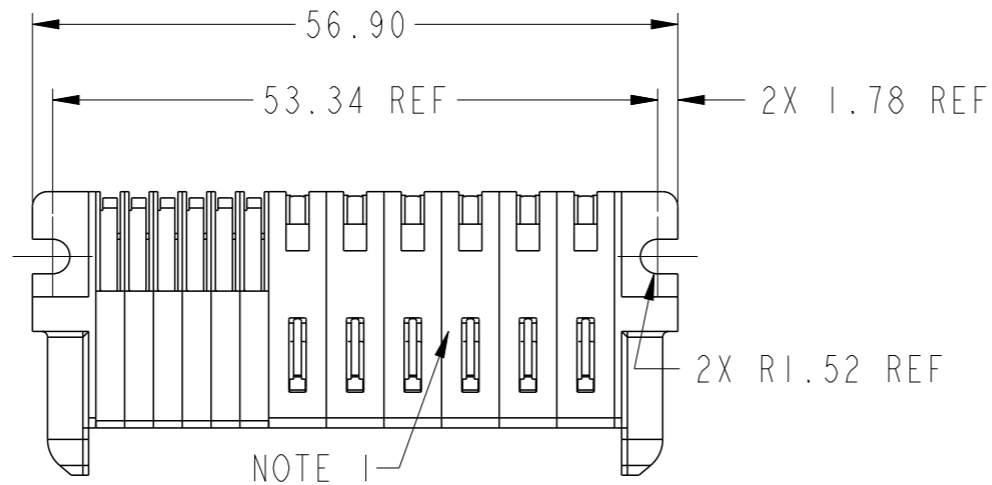


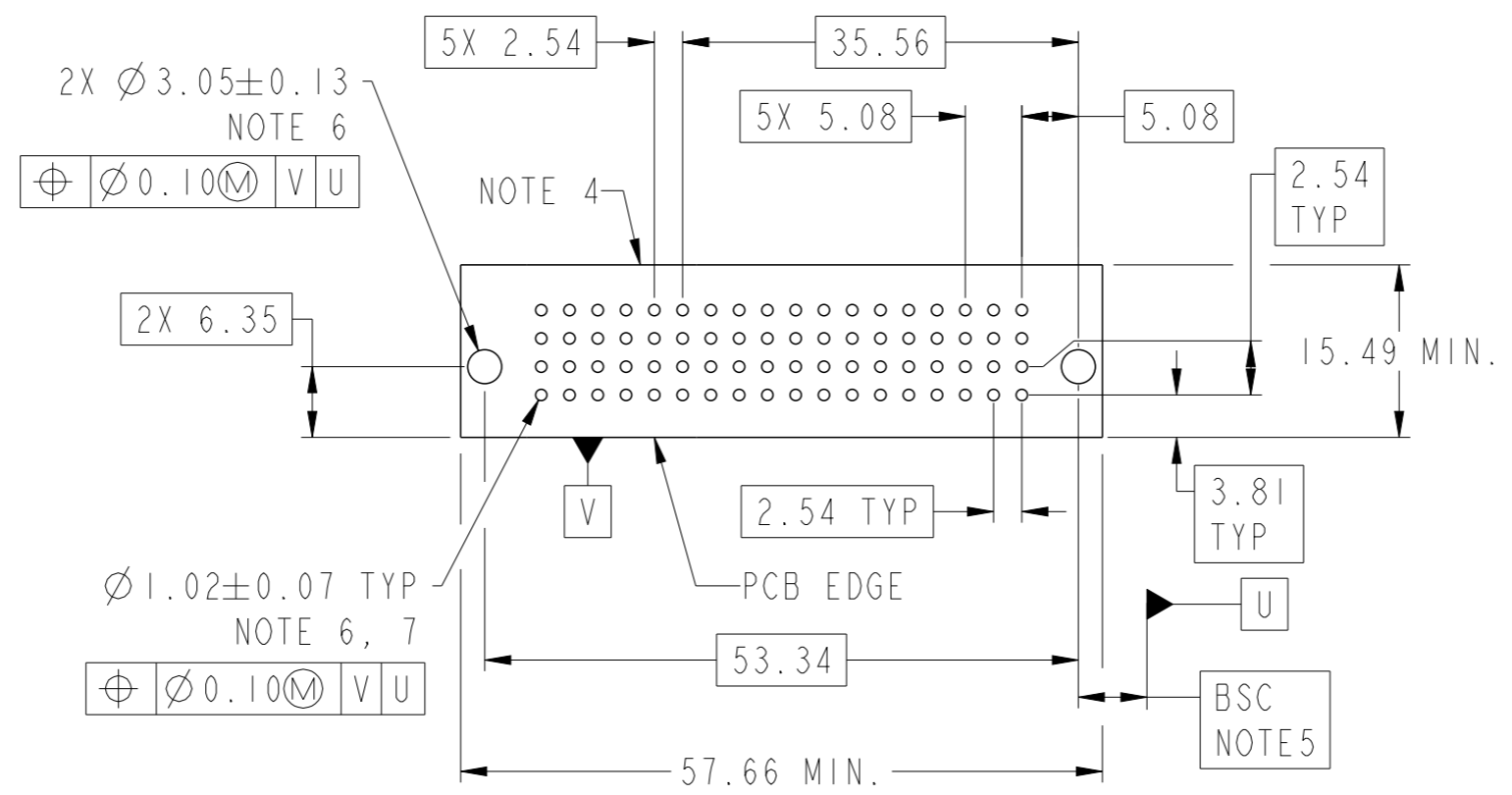
PRODUCT NUMBER SEE SHEET 2



| | | | | | | | | | | | | | | | | | | | | | | | | | | | |
|---------------------------------------|---|-------------|---------------|------------------------|--------------|------|--------|-----------------|-------|-------|----------|----------------|-----------|------|----------------|------------|--|--|--|-------|------------|-----|---|--------|------------------|--|--|
| spec ref | - | dr | Peng-Bing Fu | 2012/05/23 | projection | MM | size | A3 | scale | 3:2 | | | | | | | | | | | | | | | | | |
| tolerance std | ASME Y14.5 | eng | Peng-Bing Fu | 2012/11/14 | | | ecn no | ELX-DG-013144-1 | rel | Chan | Released | | | | | | | | | | | | | | | | |
| TOLERANCES UNLESS OTHERWISE SPECIFIED | | chr | Tian-Xu Huang | 2012/11/15 | | | | | | | | product family | PwrBlade+ | | | | | | | | | | | | | | |
| surface | <table border="1"> <tr> <td>linear</td> <td>0.X</td> <td>±0.5</td> </tr> <tr> <td></td> <td>0.XX</td> <td>±0.25</td> </tr> <tr> <td></td> <td>0.XXX</td> <td>±0.10</td> </tr> <tr> <td>angular</td> <td>0°</td> <td>±2°</td> </tr> </table> | linear | 0.X | ±0.5 | | 0.XX | ±0.25 | | 0.XXX | ±0.10 | angular | 0° | ±2° | appr | Pei-Ming Zheng | 2012/11/15 | | | <table border="1"> <tr> <td>title</td> <td>6HDP + 24S</td> <td>rev</td> <td>B</td> </tr> <tr> <td>dwg no</td> <td>10106134-6006001</td> <td></td> <td></td> </tr> </table> | title | 6HDP + 24S | rev | B | dwg no | 10106134-6006001 | | |
| linear | 0.X | ±0.5 | | | | | | | | | | | | | | | | | | | | | | | | | |
| | 0.XX | ±0.25 | | | | | | | | | | | | | | | | | | | | | | | | | |
| | 0.XXX | ±0.10 | | | | | | | | | | | | | | | | | | | | | | | | | |
| angular | 0° | ±2° | | | | | | | | | | | | | | | | | | | | | | | | | |
| title | 6HDP + 24S | rev | B | | | | | | | | | | | | | | | | | | | | | | | | |
| dwg no | 10106134-6006001 | | | | | | | | | | | | | | | | | | | | | | | | | | |
| ASME Y14.5 | | www.fci.com | cat. no. | Product - Customer Drw | sheet 1 of 3 | | | | | | | | | | | | | | | | | | | | | | |

| | | | | | | | | | | | | | | | |
|--------------------|------------------|--------|---|---|---|---|---|------------|----|----|----|----|----|----|----|
| PRODUCT NO. | ROWS | SIGNAL | | | | | | HIGH POWER | | | | | | E1 | E2 |
| | | 6 | 5 | 4 | 3 | 2 | 1 | P6 | P5 | P4 | P3 | P2 | P1 | | |
| 10106134-6006001LF | D C B A | H | H | H | H | H | H | H3 | H3 | H3 | H3 | H3 | H3 | | |
| | | G | G | G | G | G | G | | | | | | | | |
| | | F | F | F | F | F | F | | | | | | | | |
| | | E | E | E | E | E | E | | | | | | | | |

| CODE | DESCRIPTION |
|------|------------------------------|
| E | STD SIGNAL CONTACT, ROW A |
| F | STD SIGNAL CONTACT, ROW B |
| G | STD SIGNAL CONTACT, ROW C |
| H | STD SIGNAL CONTACT, ROW D |
| H3 | STD HIGH POWER CONTACT(3.43) |



Copyright FCI.

| | | | | | | | | | | | | | | | | | | | | | | | | | | | | |
|---------------------------------------|---|-------------|---------------|------------|------------------------|--------------|--------|-----------------|-------|----------|----------------|-----------|-----|------|----------------|------------|--|--|--|-------|------------|----------------------|--|---|--------|------------------|-----|---|
| spec ref | - | dr | Peng-Bing Fu | 2012/05/23 | projection | MM | size | A3 | scale | 3:2 | | | | | | | | | | | | | | | | | | |
| tolerance std | ASME Y14.5 | eng | Peng-Bing Fu | 2012/11/14 | | | ecn no | ELX-DG-013144-1 | rel | Released | | | | | | | | | | | | | | | | | | |
| TOLERANCES UNLESS OTHERWISE SPECIFIED | | chr | Tian-Xu Huang | 2012/11/15 | | | | | | | product family | PwrBlade+ | | | | | | | | | | | | | | | | |
| surface | <table border="1"> <tr> <td>linear</td> <td>0.X</td> <td>±0.5</td> </tr> <tr> <td></td> <td>0.XX</td> <td>±0.25</td> </tr> <tr> <td></td> <td>0.XXX</td> <td>±0.10</td> </tr> <tr> <td>angular</td> <td>0°</td> <td>±2°</td> </tr> </table> | linear | 0.X | ±0.5 | | 0.XX | ±0.25 | | 0.XXX | ±0.10 | angular | 0° | ±2° | appr | Pei-Ming Zheng | 2012/11/15 | | | <table border="1"> <tr> <td>title</td> <td>6HDP + 24S</td> </tr> <tr> <td>RA SOLDER RECEPTACLE</td> <td></td> </tr> </table> | title | 6HDP + 24S | RA SOLDER RECEPTACLE | | <table border="1"> <tr> <td>dwg no</td> <td>10106134-6006001</td> </tr> <tr> <td>rev</td> <td>B</td> </tr> </table> | dwg no | 10106134-6006001 | rev | B |
| linear | 0.X | ±0.5 | | | | | | | | | | | | | | | | | | | | | | | | | | |
| | 0.XX | ±0.25 | | | | | | | | | | | | | | | | | | | | | | | | | | |
| | 0.XXX | ±0.10 | | | | | | | | | | | | | | | | | | | | | | | | | | |
| angular | 0° | ±2° | | | | | | | | | | | | | | | | | | | | | | | | | | |
| title | 6HDP + 24S | | | | | | | | | | | | | | | | | | | | | | | | | | | |
| RA SOLDER RECEPTACLE | | | | | | | | | | | | | | | | | | | | | | | | | | | | |
| dwg no | 10106134-6006001 | | | | | | | | | | | | | | | | | | | | | | | | | | | |
| rev | B | | | | | | | | | | | | | | | | | | | | | | | | | | | |
| ASME Y14.5 | | www.fci.com | cat. no. | | Product - Customer Drw | sheet 2 of 3 | | | | | | | | | | | | | | | | | | | | | | |

NOTES:

- 1) "FCI", PART NUMBER AND DATE CODE TO BE MARKED ON THIS SURFACE.
THE P/N CAN BE OMITTED IF THERE IS NOT ENOUGH SPACE ON THIS SURFACE.
- 2) MATERIALS:
-HOUSING - GLASS FILLED WITH HIGH TEMP THERMOPLASTIC, UL94V-0.
-SIGNAL CONTACT - COPPER ALLOY.
-POWER CONTACT - HIGH CONDUCTIVITY COPPER ALLOY.
- 3) PLATING SPECIFICATION REFER TO FCI 10116351
- 4) DENOTES CONNECTOR KEEP OUT ZONE.
- 5) DATUM AND BASIC DIMENSIONS WERE ESTABLISHED BY CUSTOMER.
- 6) ALL HOLE DIAMETERS ARE FINISHED HOLE SIZES.
- 7) 1.15 ± 0.025 MM DRILLED HOLE PLATED WITH 0.00762MM MIN Sn
OVER 0.0254-0.0762MM Cu PLATING TO ACHIEVE A 1.02 ± 0.07 MM HOLE.
- 8) PRODUCT SPECIFICATION REFER TO FCI GS-12-658.
APPLICATION SPECIFICATION REFER TO FCI GS-20-141.
PRODUCT PACKAGED IN TRAYS, REFER TO FCI GS-14-1502.
- 9) THE VOID CORING IN BETWEEN POWER MODULES, SIGNAL
MODULES AND END MODULES ARE OPTIONAL AND THE SHAPE
MAY BE DIFFERENT FOR OPTIMIZE THE MOLDING PROCESS. THE
VOID CORING WILL NOT EFFECT TO PRODUCT FUNCTION.
- 10) A \triangle SYMBOL WILL BE NEXT TO ANY DIMENSION, VIEW, OR NOTE WHICH
HAS BEEN MODIFIED WITH THE CURRENT DRAWING REVISION.

| | | | | | | | | | | | | |
|---------------|---------------------------------------|--------|----------------|------------|------------|----------------------|----------------|----|-----------------|------------------------|------------------|----------|
| spec ref - | | dr | Peng-Bing Fu | 2012/05/23 | projection | MM | size | A3 | scale | 3:2 | | |
| tolerance std | TOLERANCES UNLESS OTHERWISE SPECIFIED | eng | Peng-Bing Fu | 2012/11/14 | | ← → | ecn no | | ELX-DG-013144-1 | | | |
| ASME Y14.5 | | chr | Tian-Xu Huang | 2012/11/15 | | | product family | | PwrBlade+ | rel | Chan | Released |
| - | | appr | Pei-Ming Zheng | 2012/11/15 | | | title | | 6HDP + 24S | dwg no | 10106134-6006001 | rev |
| surface | | linear | 0.X | ±0.5 | | RA SOLDER RECEPTACLE | www.fci.com | | cat. no. | Product - Customer Drw | sheet 3 of 3 | |
| ASME Y14.5 | angular | 0° | ±2° | | | | | | | | | |



Copyright FCI.