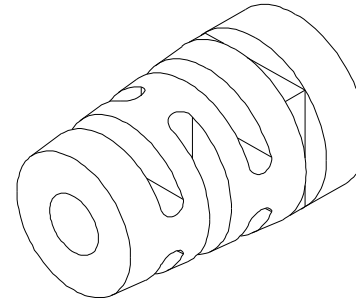
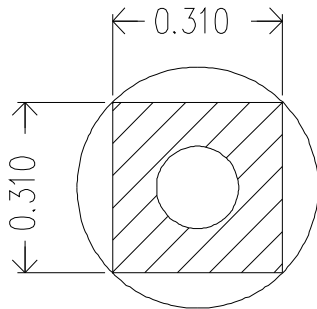
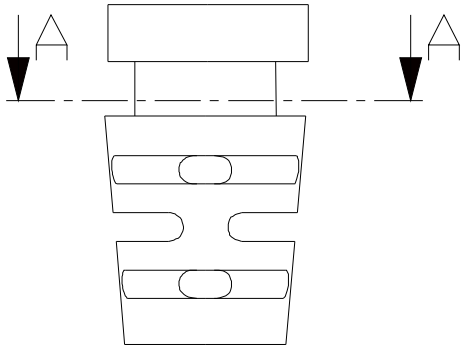
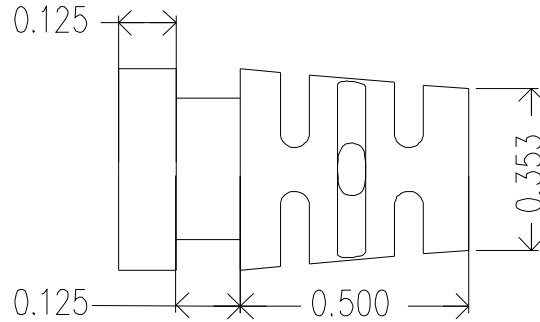
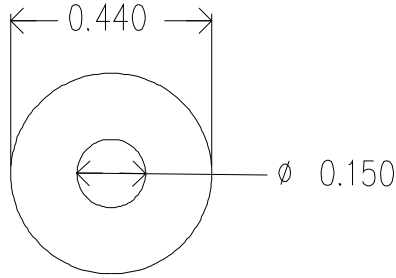


REVISIONS		DATE	APPROVED
ZONE	REV.	DESCRIPTION	



MOLD MATERIAL, ISC P/N: 5000214, PVC, M1472, BLACK, RoHS

A-A

Dimensions are subject to change.
 PROPRIETARY AND CONFIDENTIAL

THE INFORMATION CONTAINED IN THIS DRAWING IS THE SOLE PROPERTY OF ISC ENGINEERING. ANY REPRODUCTION IN PART OR AS A WHOLE WITHOUT THE WRITTEN PERMISSION OF ISC ENGINEERING IS PROHIBITED.

DIMENSIONS ARE IN INCHES		NAME	DATE	ISC Engineering 4351 Schaefer Ave, Chino, CA 91710 Ph: 909-596-3315 Fax: 909-596-3335 www.iscengineering.com www.overmoldtooling.com
TOLERANCES:		DRAWN	11/22/05	
FRACTIONAL ±		CHECKED		
ANGULAR: MACH ± BEND ±		ENG APPR.		
TWO PLACE DECIMAL ±		MFG APPR.		1461080-150-E-310X310-440-0
THREE PLACE DECIMAL ±		Q.A.		
MATERIAL		COMMENTS:		SIZE
FINISH				DWG. NO.
NEXT ASSY	USED ON			1467098
APPLICATION		DO NOT SCALE DRAWING		REV.
				SCALE: 5:1
				WEIGHT:
				SHEET 1 OF 1

