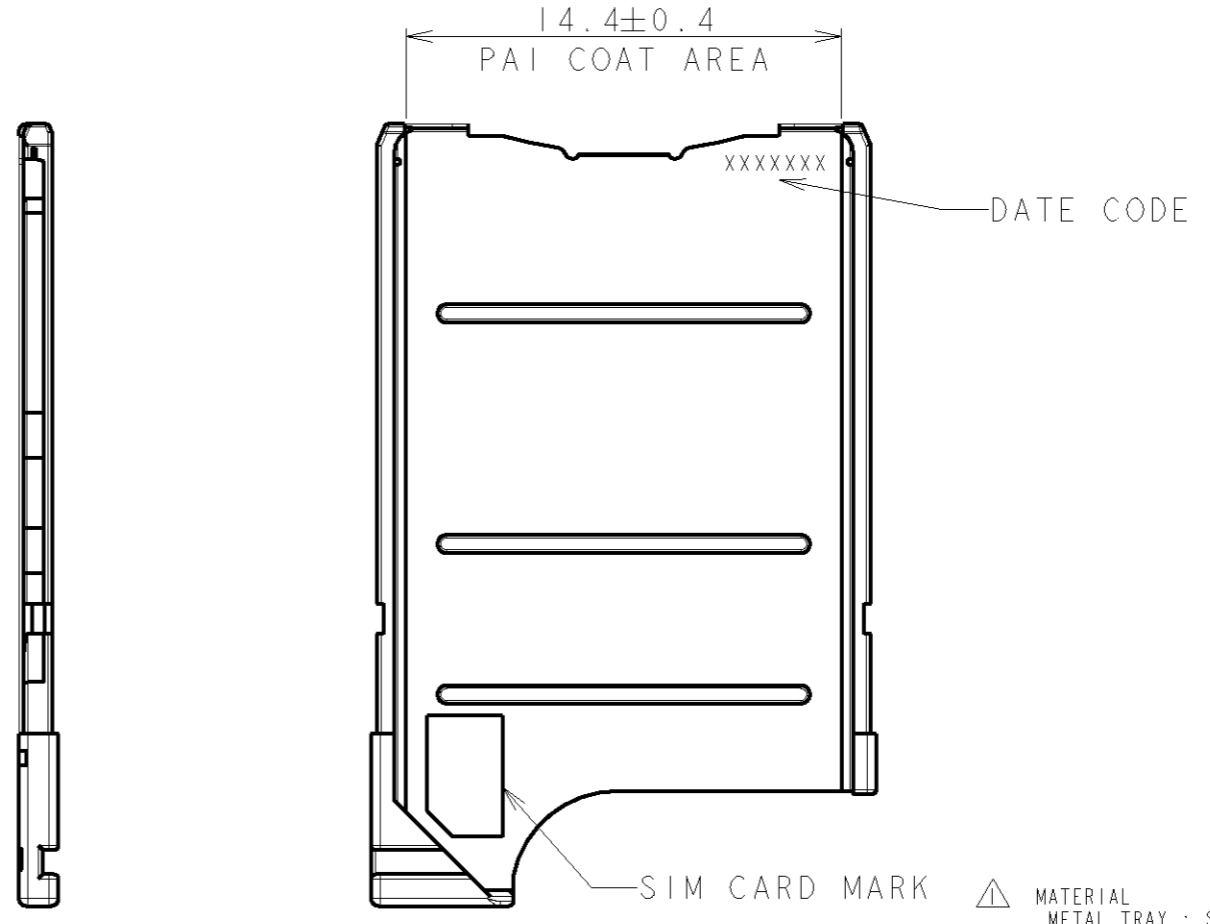
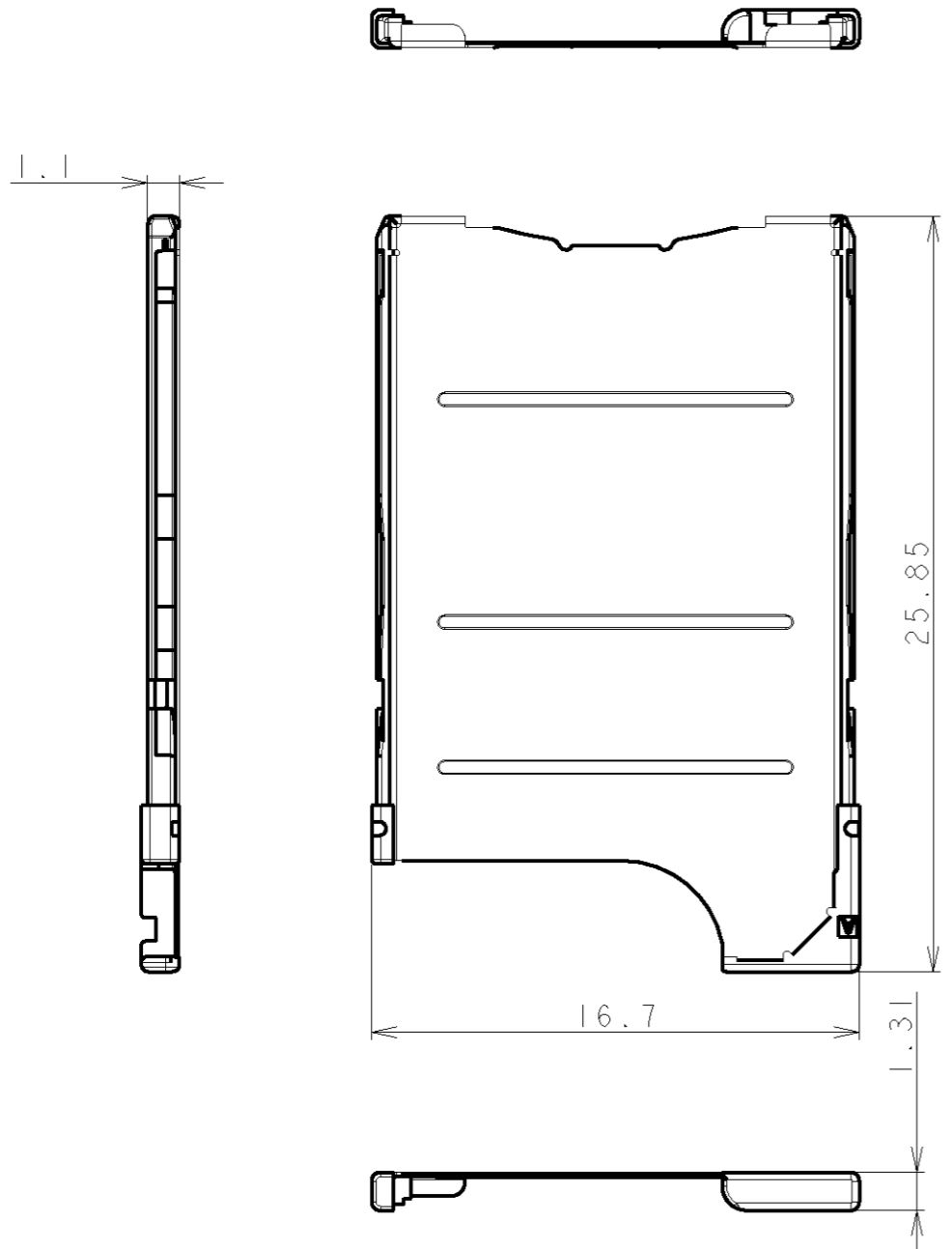


THIS DRAWING IS UNPUBLISHED. RELEASED FOR PUBLICATION 20
 © COPYRIGHT 20 BY TYCO ELECTRONICS CORPORATION. ALL RIGHTS RESERVED.

| LOC | DIST | REVISIONS | | | | | |
|-----|------|-----------|-----|-------------|-----------|-----|------|
| | | P | LTR | DESCRIPTION | DATE | DWN | APVD |
| J | | A | | RELEASED | 17JUN2010 | C.O | Y.N |
| | | | | | | | |
| | | | | | | | |

本図面に記載された内容はタイコ エレクトロニクス アンプ(株)の所有する情報を開示しております。
 無断で複写・配布する事を禁じます。 特許出願中

AS SHOWN : - 1



- △ MATERIAL
 METAL TRAY : STAINLESS
 HOUSING : HIGH TEMPERATURE THERMO PLASTIC
 UL94V-0 BLACK
- △ FINISH
 ELEMENT : GROUND POINT: 0.05umMIN. Au
 ALL OVER NICKEL PLATE 0.13umMIN.
 ADD SEALING
- 3 TRAY PACKING

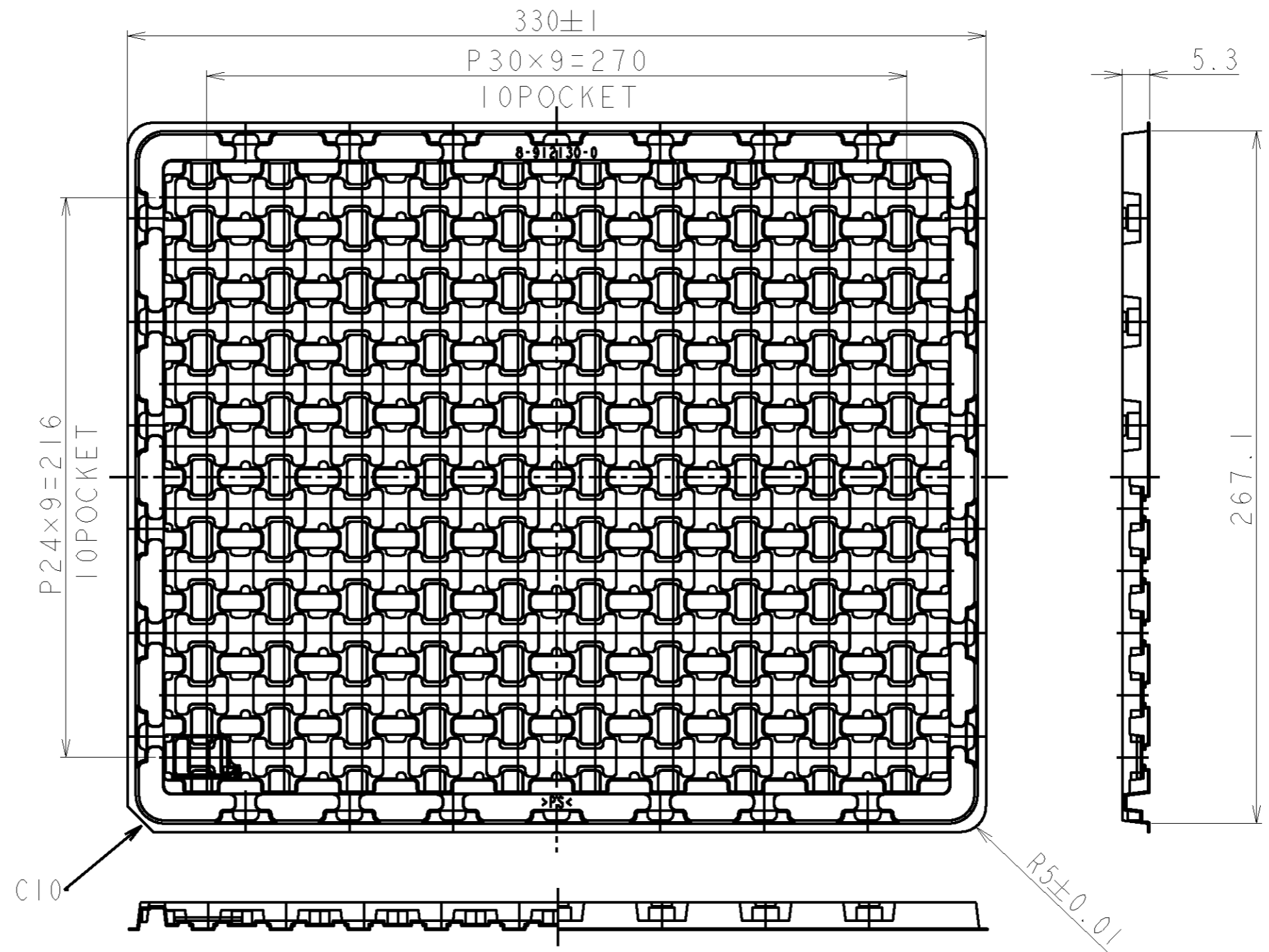
| | | | | | | | | | | | | | | | | | |
|--|-----|------------------|------------|---|--------------|-------|---|-------|---|-------|---|--------|-----|--------------|-----------|------|--|
| THIS DRAWING IS A CONTROLLED DOCUMENT FOR TYCO ELECTRONICS CORPORATION IT IS SUBJECT TO CHANGE AND THE CONTROLLING ENGINEERING ORGANIZATION SHOULD BE CONTACTED FOR THE LATEST REVISION. | | DWN | 17JUN2010 | Tyco Electronics Corporation Kawasaki, Japan | | | | | | | | | | | | | |
| DIMENSIONS: 単位: 概 mm | | CHK | 17JUN2010 | | | | | | | | | | | | | | |
| TOLERANCES UNLESS OTHERWISE SPECIFIED: 一般公差 ±0.15 | | APVD | 17JUN2010 | | | | | | | | | | | | | | |
| <table border="0"> <tr><td>0-PLC</td><td>±</td></tr> <tr><td>1-PLC</td><td>±</td></tr> <tr><td>2-PLC</td><td>±</td></tr> <tr><td>3-PLC</td><td>±</td></tr> <tr><td>4-PLC</td><td>±</td></tr> <tr><td>ANGLES</td><td>±3°</td></tr> </table> | | 0-PLC | ± | 1-PLC | ± | 2-PLC | ± | 3-PLC | ± | 4-PLC | ± | ANGLES | ±3° | PRODUCT SPEC | 108-78668 | NAME | TS14-RVS DOUBLE CONTACT METAL TRAY |
| 0-PLC | ± | | | | | | | | | | | | | | | | |
| 1-PLC | ± | | | | | | | | | | | | | | | | |
| 2-PLC | ± | | | | | | | | | | | | | | | | |
| 3-PLC | ± | | | | | | | | | | | | | | | | |
| 4-PLC | ± | | | | | | | | | | | | | | | | |
| ANGLES | ±3° | | | | | | | | | | | | | | | | |
| MATERIAL 材料 | | APPLICATION SPEC | 取付適用規格 | SIZE | A300779 | | | | | | | | | | | | |
| SEE NOTE △ | | FINISH 仕上 | SEE NOTE △ | CAGE CODE | C=2134033 | | | | | | | | | | | | |
| | | WEIGHT | 0.51g | DRAWING NO | 番号 | | | | | | | | | | | | |
| | | CUSTOMER DRAWING | | RESTRICTED TO | - | | | | | | | | | | | | |
| | | SCALE | | X:1 | SHEET 1 OF 2 | | | | | | | | | | | | |
| | | | | REV | A | | | | | | | | | | | | |

THIS DRAWING IS UNPUBLISHED. RELEASED FOR PUBLICATION 20

© COPYRIGHT 20 BY TYCO ELECTRONICS CORPORATION. ALL RIGHTS RESERVED.

| LOC | DIST | REVISIONS | | | |
|-----|------|-------------|------|-----|------|
| P | LTR | DESCRIPTION | DATE | DWN | APVD |
| J | | SEE SHEET 1 | - | - | - |

100PCS/TRAY



| | | | |
|---|--|---|--|
| <small>THIS DRAWING IS A CONTROLLED DOCUMENT FOR TYCO ELECTRONICS CORPORATION IT IS SUBJECT TO CHANGE AND THE CONTROLLING ENGINEERING ORGANIZATION SHOULD BE CONTACTED FOR THE LATEST REVISION.</small> | | Tyco Electronics Tyco Electronics Corporation Kawasaki, Japan | |
| DIMENSIONS: mm | | NAME TS14-RVS DOUBLE CONTACT METAL TRAY | |
| TOLERANCES UNLESS OTHERWISE SPECIFIED: 0 PLC ± 1 PLC ± 2 PLC ± 3 PLC ± 4 PLC ± ANGLES ±3° | | PRODUCT SPEC APPLICATION SPEC | |
| MATERIAL | | SIZE CAGE CODE DRAWING NO RESTRICTED TO A300779 C=2134033 - | |
| FINISH | | WEIGHT CUSTOMER DRAWING SCALE X:1 SHEET 2 OF 2 REV A | |