

## 3 mm Square SMT Trimmer Potentiometers (Cermet, Open Frame Type)

Discontinued

Type: **EVM3G**  
**EVM3E**  
**EVM3Y**  
**EVM3S**  
**EVM3R**



3G, 3E



3S



3R



3Y

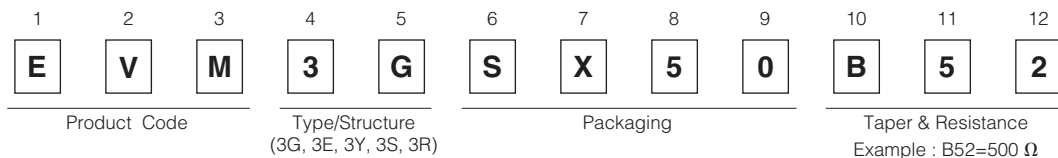
### Features

- Automatic adjustment type (EVM3G, 3E, 3Y)
- Both sides adjust type (EVM3S)
- Back side adjust type and low-profile 0.9 mm (1.0 mm max.) EVM3R
- High reliability realized by cermet element
- Excellent mountability
- Conforms to JIS C5260-1:1999
- RoHS compliant

### Recommended Applications

- Audio/visual, office, and communication equipment
- General electronic equipment

### Explanation of Part Numbers



### Specifications

Total Resistance Value Resistance Tolerance	EVM3G, 3E, 3Y, 3S : 100 Ω to 1 MΩ / EVM3R : 500 Ω to 1 MΩ EVM3G : ±20 % / EVM3E, 3Y, 3S, 3R : ±25 %
Power Rating Limiting Element Voltage	0.15 W 50 V
Rotation Torque	EVM3G, 3E, 3Y, 3S : 2 to 20 mN·m / EVM3R : 1 to 20 mN·m
Temperature Coefficient of Resistance	±250 × 10 <sup>-6</sup> /°C

### Minimum Quantity/Packing Unit


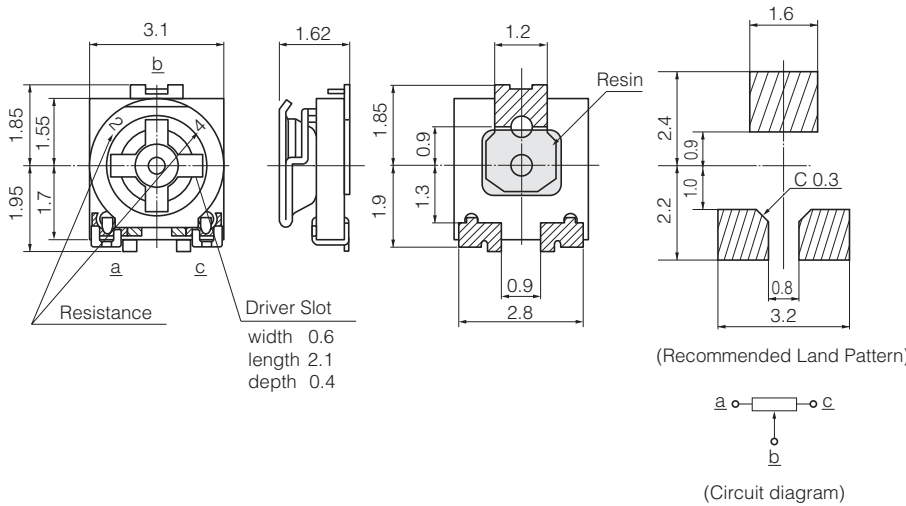
Part Number	Taping		
	Quantity per reel	Packaging quantity	Dia. of reel (mm)
EVM3G, EVM3E EVM3Y, EVM3S EVM3R	2,000	10,000	φ178

The standard packaging methods for a reel is φ178.


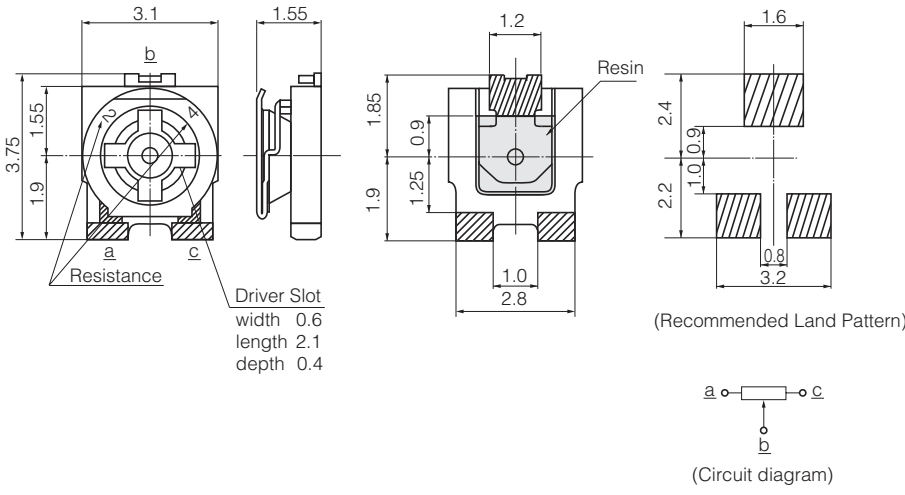
Please contact us, if you would like different packaging methods. (Bulk, Reel of φ330, Reel of φ380)

## Dimensions in mm (not to scale)

- 3-terminal, for Automatic Trimming Adjustment ..... EVM3G, EVM3E

<p><b>No. 1</b></p> 	 <p>Mass (Weight) : 45 mg/pc.</p>
---	---


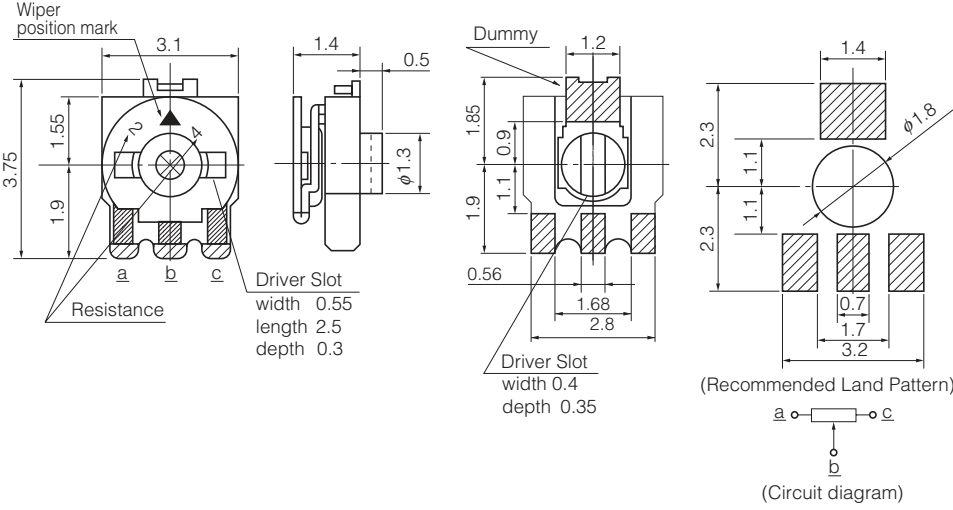
- 3-terminal, for Automatic Trimming Adjustment ..... EVM3Y

<p><b>No. 2</b></p> 	 <p>Mass (Weight) : 42 mg/pc.</p>
---	---

## Dimensions in mm (not to scale)

- 3-terminal, Both Sides Adjust ..... EVM3S

**No. 3**

Wiper position mark

Resistance

Driver Slot  
width 0.55  
length 2.5  
depth 0.3

Dummy

Driver Slot  
width 0.4  
depth 0.35


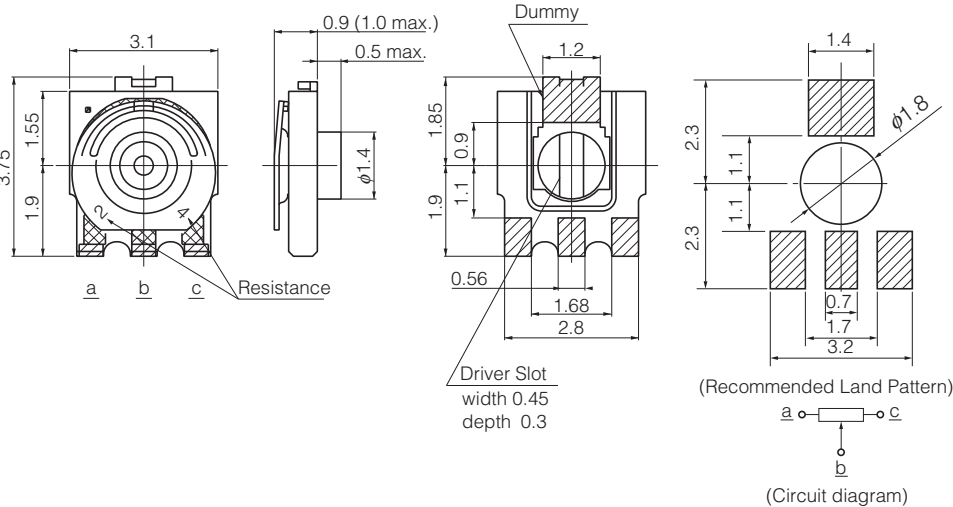
(Recommended Land Pattern)

(Circuit diagram)

Mass (Weight) : 45 mg/pc.

- 3-terminal, Back Side Adjust ..... EVM3R

**No. 4**

Resistance

Driver Slot  
width 0.45  
depth 0.3

Dummy

(Recommended Land Pattern)

(Circuit diagram)

Mass (Weight) : 32 mg/pc.