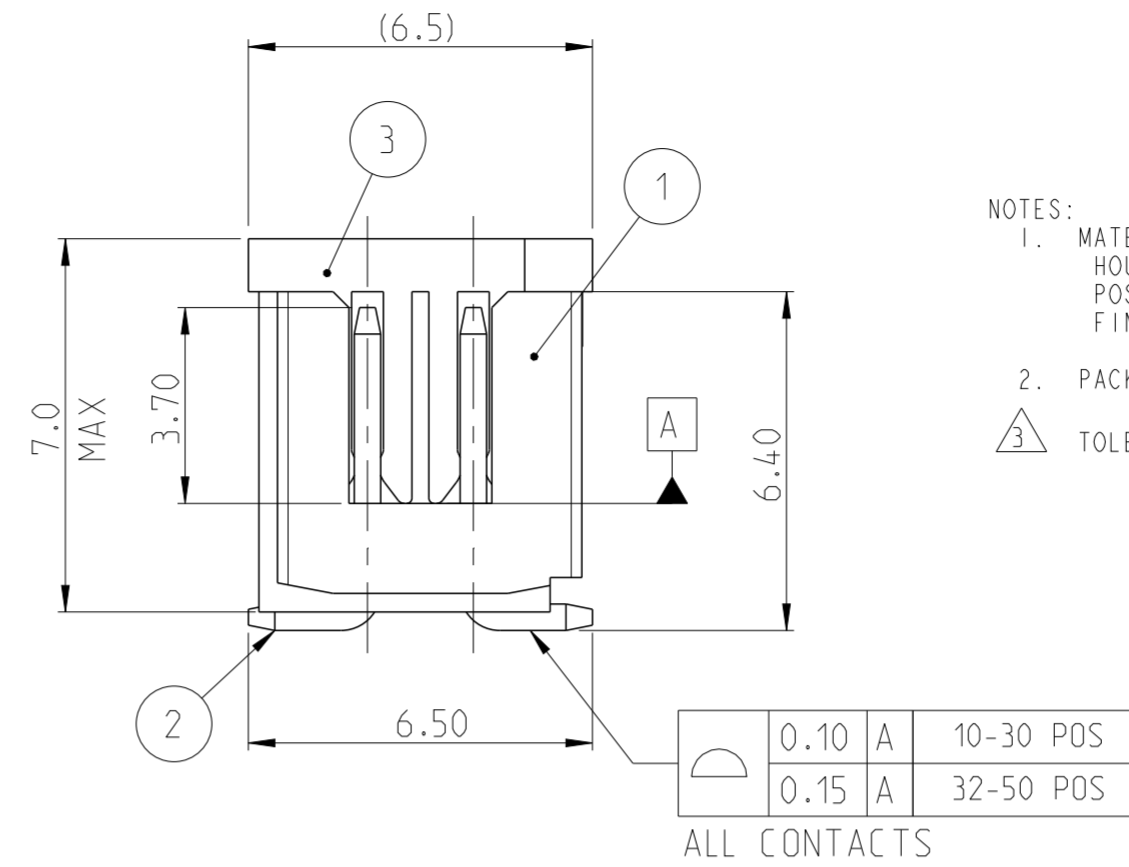
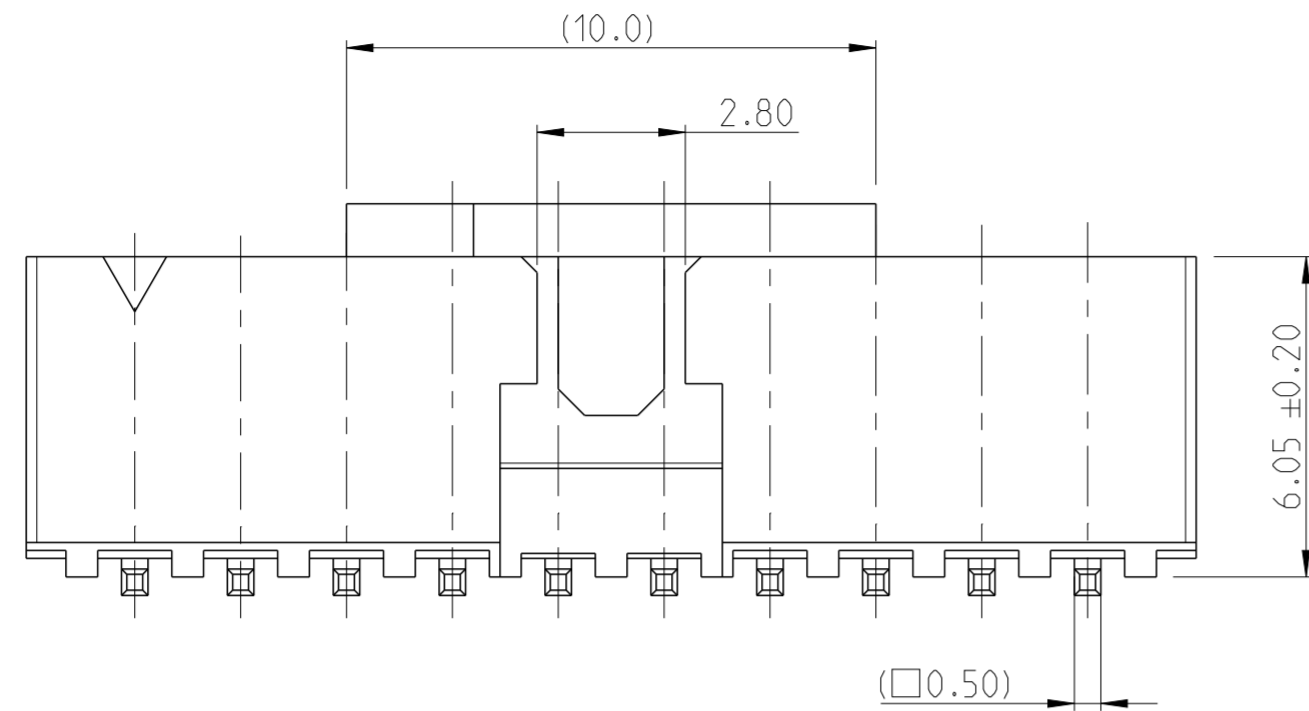
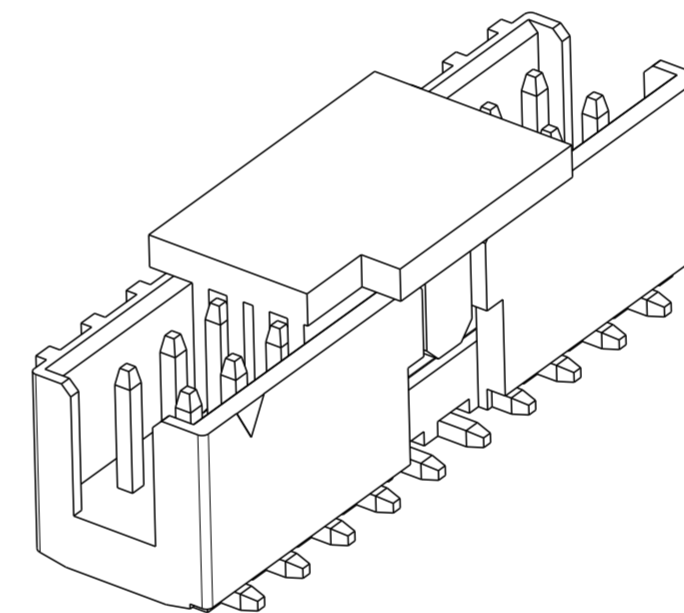
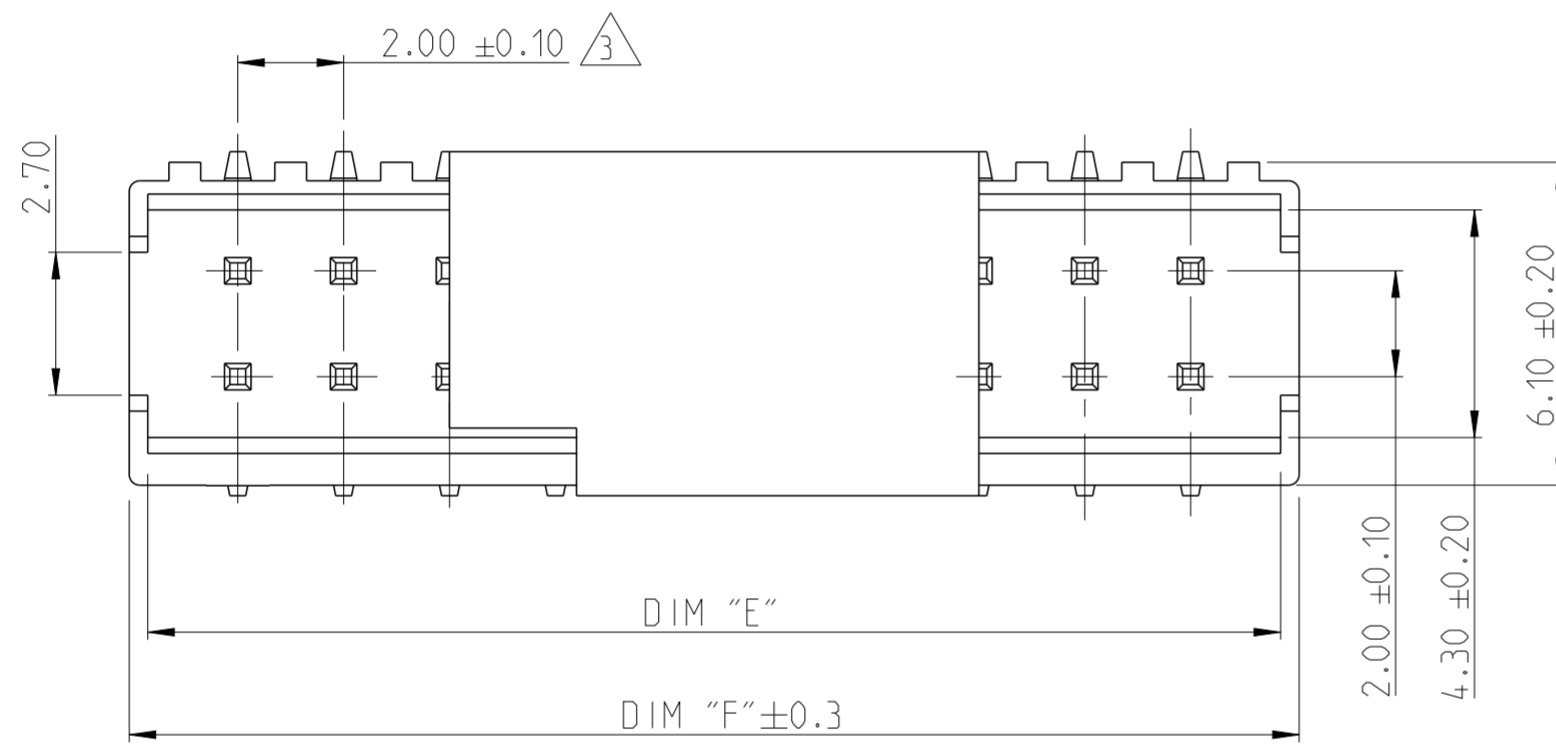


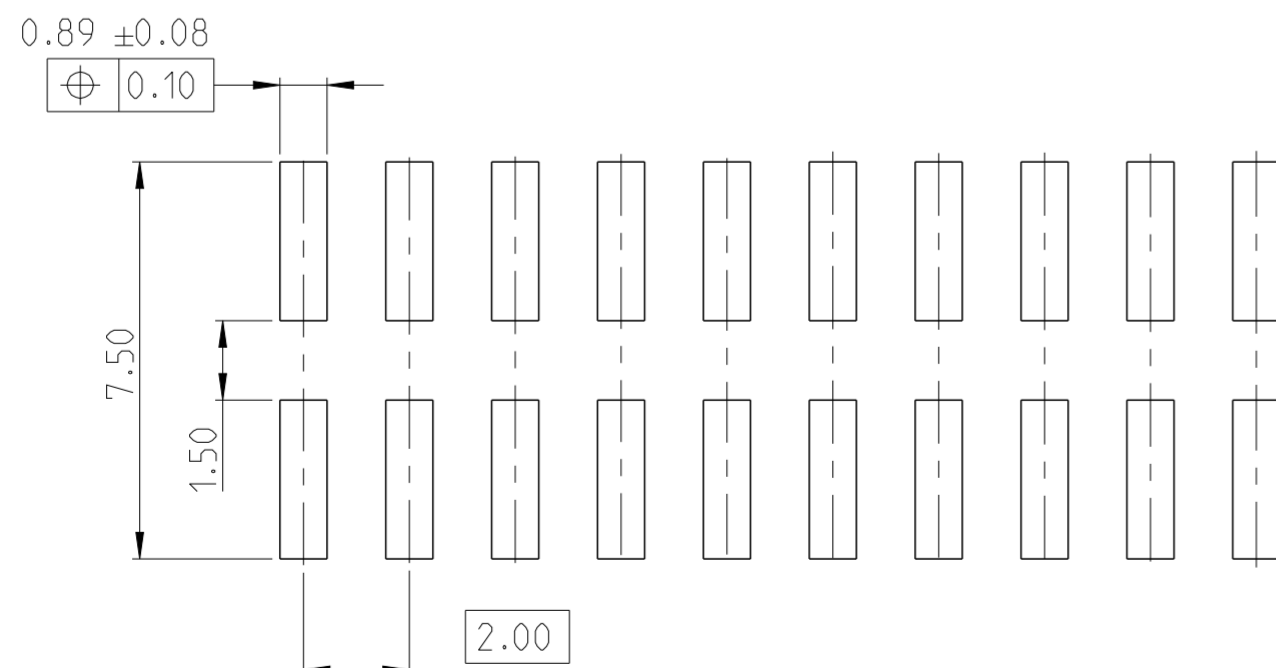
P	LTR	DESCRIPTION	DATE	DWN	APVD
A		RELEASE TO PRODUCTION	28NOV2019	AY	PS
A1		REMOVE POSITION 4, 6 AND 8	04JUN2020	AY	PS



- NOTES:
- MATERIAL
HOUSING & P&P CAP : HIGH TEMPERATURE THERMOPLASTIC, UL94-V0; COLOR- BLACK
POST : COPPER ALLOY
FINISH : MIN. 2.0 μm TIN OVER NICKEL UNDER PLATING.
 - PACKAGING: TUBE (WITH PICK AND PLACE CAP)
- ⚠ TOLERANCE NOT CUMULATIVE.



2-2842273-0 AS SHOWN



RECOMMENDED PCB PATTERN

52.10	51.40	50	5-2842273-0
50.10	49.40	48	4-2842273-8
48.10	47.40	46	4-2842273-6
46.10	45.40	44	4-2842273-4
44.10	43.40	42	4-2842273-2
42.10	41.40	40	4-2842273-0
40.10	39.40	38	3-2842273-8
38.10	37.40	36	3-2842273-6
36.10	35.40	34	3-2842273-4
34.10	33.40	32	3-2842273-2
32.10	31.40	30	3-2842273-0
30.10	29.40	28	2-2842273-8
28.10	27.40	26	2-2842273-6
26.10	25.40	24	2-2842273-4
24.10	23.40	22	2-2842273-2
22.10	21.40	20	2-2842273-0
20.10	19.40	18	1-2842273-8
18.10	17.40	16	1-2842273-6
16.10	15.40	14	1-2842273-4
14.10	13.40	12	1-2842273-2
12.10	11.40	10	1-2842273-0
DIM "F"	DIM "E"	POS.	TE PN

DESCRIPTION	ITEM NO.
PICK AND PLACE CAP	3
CONTACT PIN	2
HOUSING	1

THIS DRAWING IS A CONTROLLED DOCUMENT.		DWN 11NOV2019 ANKIT YADAV
DIMENSIONS: mm		CHK 25NOV2019 KARTHIK JK
TOLERANCES UNLESS OTHERWISE SPECIFIED:		APVD 27NOV2019 PRASHANTH S.
0 PLC ±	1 PLC ±	PRODUCT SPEC
2 PLC ±0.25	3 PLC ±	108-64040
4 PLC ±	ANGLES ±2°	APPLICATION SPEC
FINISH	SEE NOTES	114-32259
MATERIAL	SEE NOTES	WEIGHT -
		CUSTOMER DRAWING

TE Connectivity		NAME	
		AMPMODU 2mm SHROUDED HEADER DUAL ROW, VERTICAL SMD, SN, TUBE, WITH PICK AND PLACE CAP	
SIZE	CAGE CODE	DRAWING NO	RESTRICTED TO
A2	00779	©-2842273	-
SCALE 5:1		SHEET 1 OF 1	REV A1