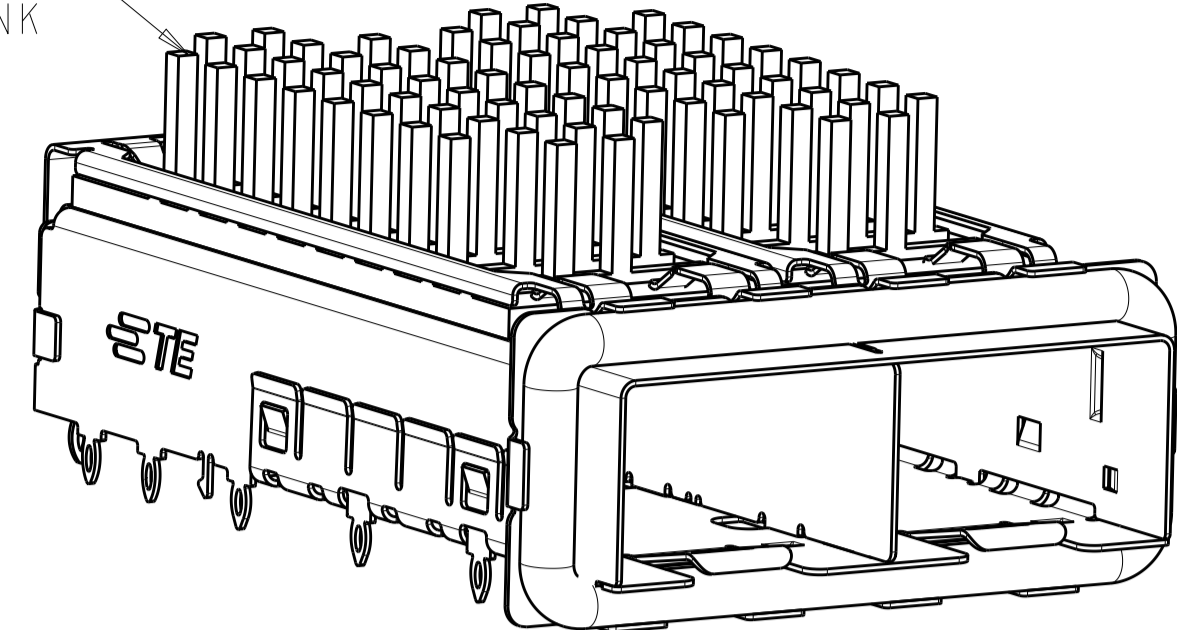


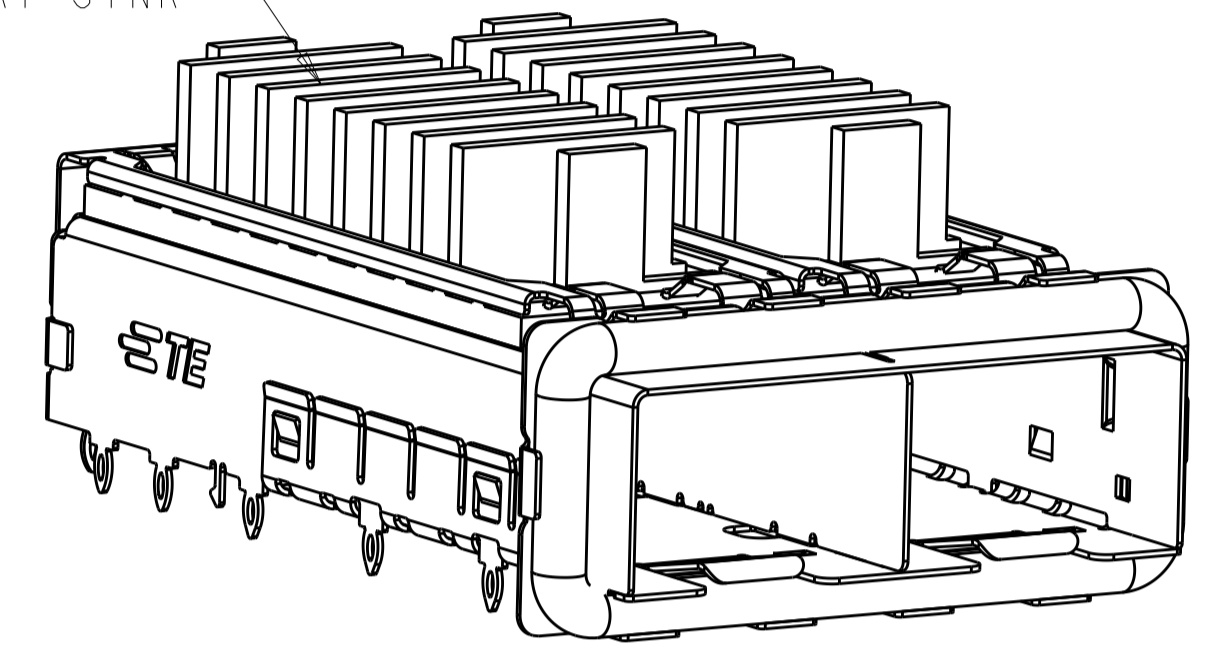
LOC	DIST	REVISIONS					
GP	00	P	LTN	DESCRIPTION	DATE	DWN	APVD
		A		RELEASED PER ECO-12-013192	05SEP2012	BMM	MRS
		A1		RELEASED PER ECO-13-0014600	12OCT2013	PP	SH

PIN TYPE HEAT SINK



2198224-1,2,3,4
FINISHED ASSEMBLY

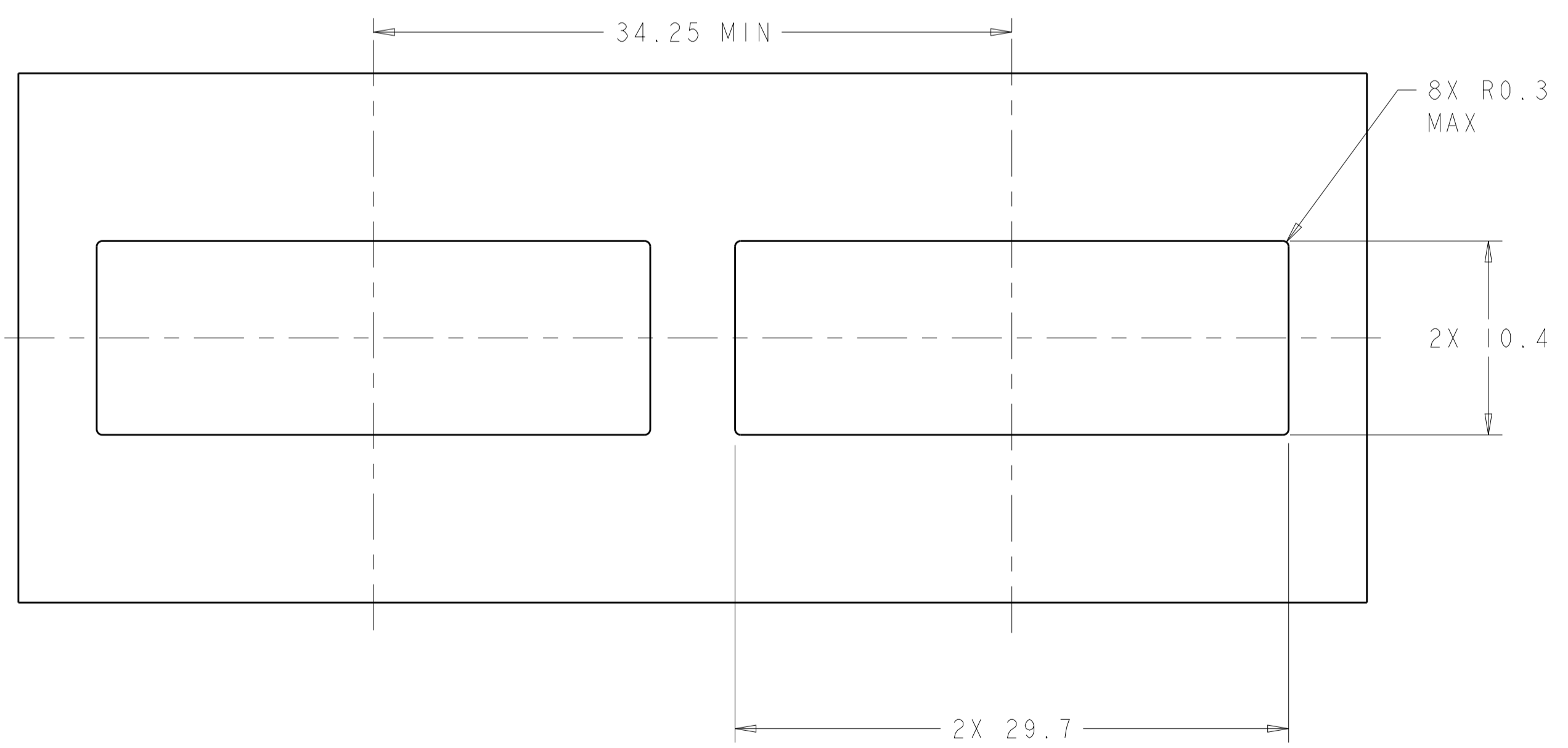
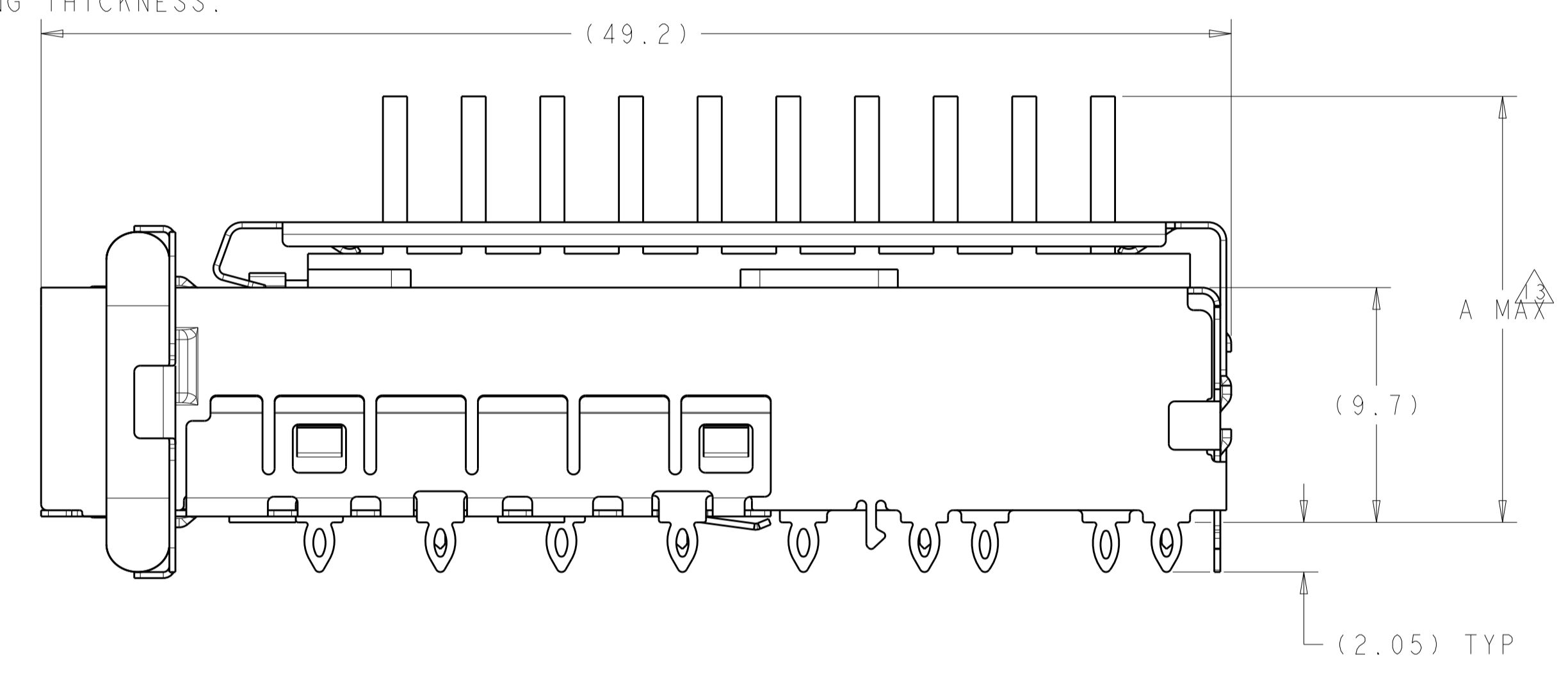
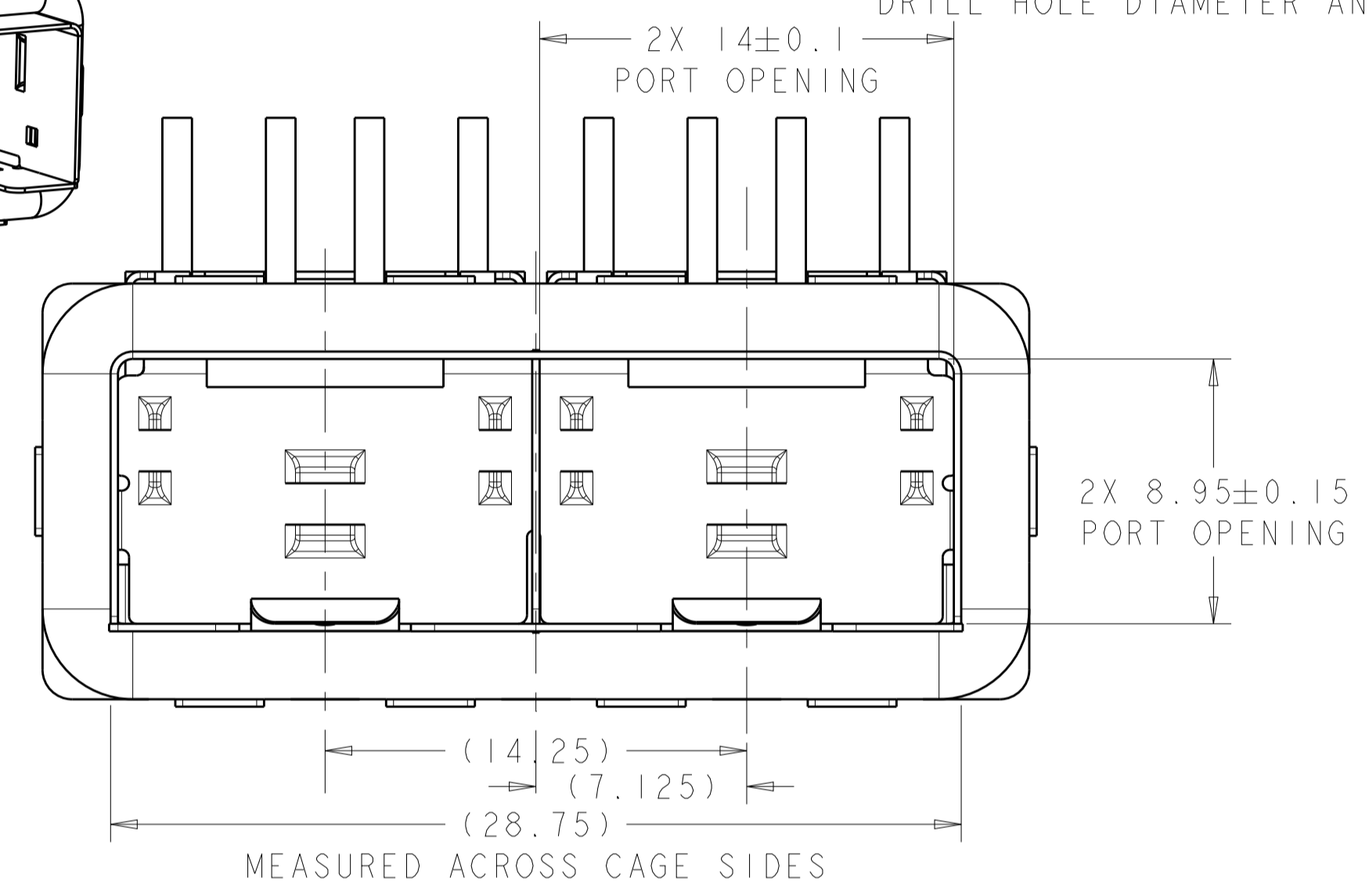
FIN TYPE HEAT SINK



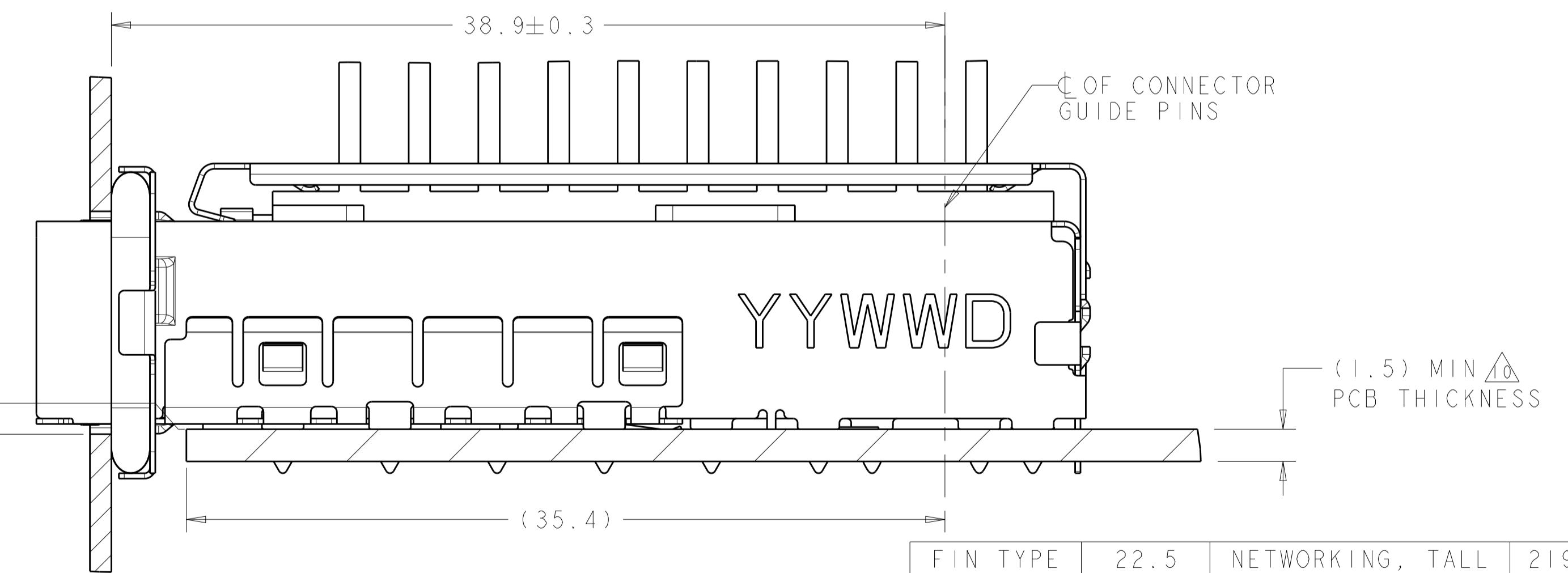
2198224-5,6,7,8
FINISHED ASSEMBLY

- 1 MATERIAL:
CAGE ASSEMBLY: 0.25mm THICK NICKEL SILVER ALLOY
GASKET RETENTION PLATE: STAINLESS STEEL
EMI GASKET: PLATED FILLED SILICONE
HEATHSINK CLIP: STAINLESS STEEL
HEATSINK: ALUMINUM
- 2 FINISH:
HEATSINK: ELECTROLESS NICKEL
HEATSINK CLIP: PASSIVATE
- 3 DATUM AND BASIC DIMENSIONS ESTABLISHED BY CUSTOMER.
- 4 PADS AND VIAS CHASSIS GROUND.
- 5. MATES WITH SFP MSA COMPLIANT RECIEVERS.
- 6. INTERPRETATION OF DATUM REFERENCE FRAME IN ACCORDANCE WITH SECT 4.4.1.1 OR ASME Y14.5M-1994.
- 7 HOLE PATTERN REPEATS FOR EACH PORT, SPACING BETWEEN PORTS IS 14.25mm.
- 8 REFERENCE APPLICATION SPEC. 114-13120, HOLE A, FOR RECOMMENDED DRILL HOLE DIAMETER AND PLATING THICKNESS.
- 9 REFERENCE APPLICATION SPEC. 114-13120, HOLE B, FOR RECOMMENDED DRILL HOLE DIAMETER AND PLATING THICKNESS.

- 10 MINIMUM PC BOARD THICKNESS:
SINGLE SIDED: 1.5mm
- 11. CERTAIN MATING TRANCEIVERS MAY REQUIRE ADDITIONAL PCB THICKNESS THAT WOULD NEED TO BE DETERMINED BY THE CUSTOMER.
- 12. PRODUCT COMPLIES WITH SPECIFICATION SFF-8433 IMPROVED PLUGGABLE FORM FACTOR FOR SFP+ GANGED CAGES.
- 13 DIMENSION APPLIES PRIOR TO INSERTION OF SFP MODULE.



RECOMMENDED BEZEL CUT-OUT
SINGLE SIDED APPLICATIONS
SCALE 4:1



2198224
MOUNTED ON PC BOARD
SHOWN THRU RECOMMENDED BEZEL

FIN TYPE	22.5	NETWORKING, TALL	2198224-8
FIN TYPE	18.1	NETWORKING, SHORT	2198224-7
FIN TYPE	15.5	SAN	2198224-6
FIN TYPE	13.2	PCI	2198224-5
PIN TYPE	22.5	NETWORKING, TALL	2198224-4
PIN TYPE	18.1	NETWORKING, SHORT	2198224-3
PIN TYPE	15.5	SAN	2198224-2
PIN TYPE	13.2	PCI	2198224-1
HEAT SINK	A MAX	APPLICATION	PART NUMBER

THIS DRAWING IS A CONTROLLED DOCUMENT.

DIMENSIONS: mm

TOLERANCES UNLESS OTHERWISE SPECIFIED:

0 PLC	±0.13
1 PLC	±0.1
2 PLC	±0.08
3 PLC	±0.05
4 PLC	±0.05
ANGLES	±0.5

MATERIAL: FINISH:

OWN: B. MATTHEWS (12OCT2011)
CHK: M. SCHMITT (12OCT2011)
APVD: M. SCHMITT (12OCT2011)

NAME: SFP+ ENHANCED 1X2 CAGE ASSEMBLY, PRESS-FIT, EMI GASKET WITH HEATSINK

PRODUCT SPEC: 108-2364
APPLICATION SPEC: 114-13120

SIZE: CAGE CODE DRAWING NO: A100779C=2198224
WEIGHT: -

Customer Drawing SCALE: 5:1 SHEET 1 OF 2 REV: A1

4805 (3/11)

