

4

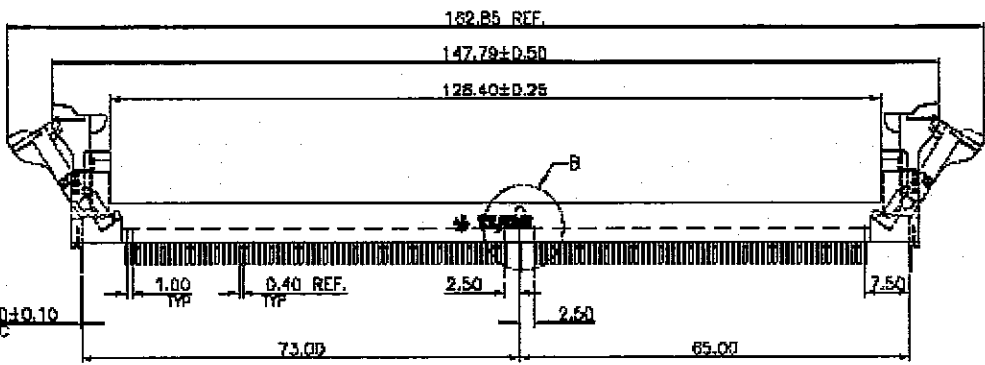
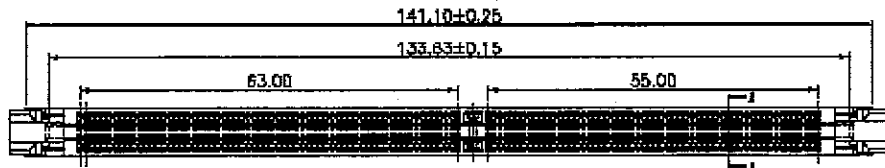
3

2

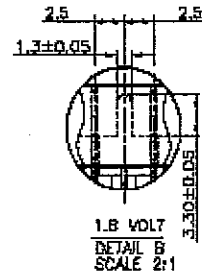
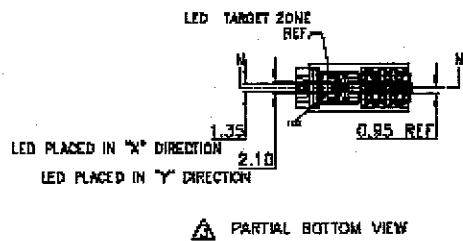
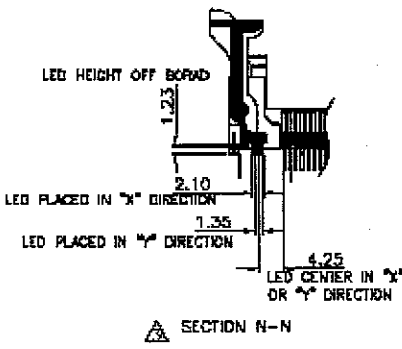
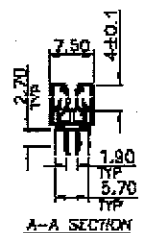
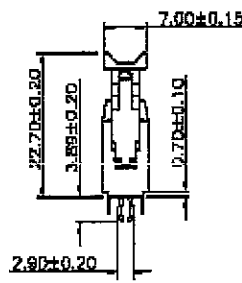
1

THIS DRAWING IS UNPUBLISHED. RELEASED FOR PUBLICATION
 BY TYCO ELECTRONICS CORPORATION. ALL RIGHTS RESERVED.

REVISIONS				
REV	DATE	DESCRIPTION	DATE	BY
A	FIRST RELEASED		22NOV06	HH WK



- NOTES:
 1. MATERIAL:
 1.1 HOUSING: THERMOPLASTIC(PA66), UL94V-0; COLOR:SEE TABLE.
 1.2 EXTRACTOR: THERMOPLASTIC (PC), UL94V-0; COLOR:TRANSPARENT.
 1.3 CONTACTS: BRASS
 1.4 BOARDLOCK: BRASS
 2. FINISH:
 2.1 CONTACTS:
 GOLD PLATING ON CONTACT AREA,
 2.54µm [100µ"MIN] MATTE TIN PLATING ON SOLDER TAIL AREA,
 1.27µm [50µ"MIN] NICKEL PLATING OVERALL.
 2.2 BOARDLOCK:
 1.27µm [50µ"MIN] NICKEL UNDERPLATING OVERALL.
 LED LOCATION AS APPLICABLE PER CUSTOMER.
 4. WAVE SOLDER CAPABLE TO 280°C PER TYCO SPEC. 169-2D2, CONDITION B.



WHITE	0.782µm (30u")	1-	-3
	0.381µm (15u")	1-	-2
BLACK	GOLD FLASH	1-	-1
	0.782µm (30u")		-3
HSC. COLOR	0.381µm (15u")		-2
	GOLD FLASH	1775427-1	
	GOLD PLATING		PART NUMBER

THIS DRAWING IS A CONTROLLED DOCUMENT.

DIMENSIONS: MM 	TOLERANCES UNLESS OTHERWISE SPECIFIED: 0 PLC ± - 1 PLC ± 0.25 2 PLC ± 0.30 3 PLC ± 0.15 4 PLC ANGLES ± -	DWG: H. HUANG CHK: S. HOU APD: W.J. KE PRODUCT SPEC: 108-57636 QUALIFICATION TEST REPORT: 501-57741 MATERIAL: SEE NOTE FINISH: SEE NOTE	DATE: 22NOV2006 DATE: 22NOV2006 DATE: 22NOV2006 NAME: DIMM DDRII SOCKET 240P WITH TRANSPARENT LATCH SIZE: A3 DATE CODE: 00779 DRAWING NO: C=1775427 RESTRICTED TO: - SCALE: - SHEET: 1 of 3 REV: A
-----------------------	---	---	--

TYCO Electronics Tyco Holdings (Bermuda) VI Ltd. Taiwan Branch

CUSTOMER DRAWING

4

3

2

1

THIS DRAWING IS UNCLASSIFIED

RESTRICTED FOR PUBLICATION

COPYRIGHT © BY TYCO ELECTRONICS CORPORATION. ALL RIGHTS RESERVED.

LOG

DIST

REVISIONS

DW

P

LTR

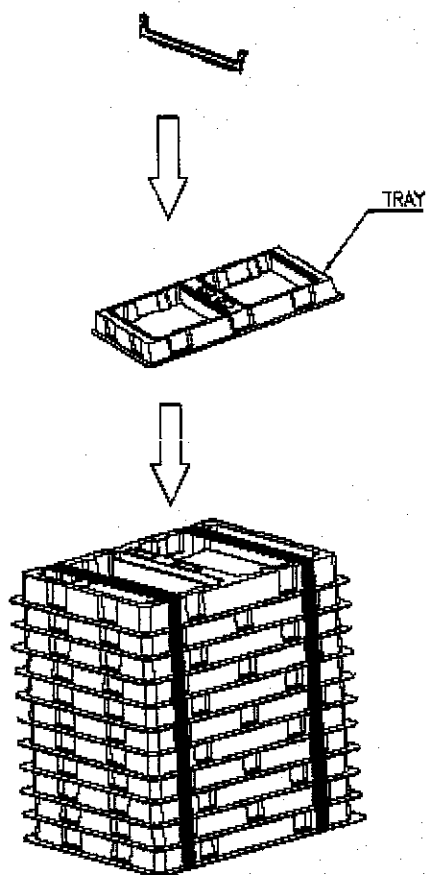
DESCRIPTION

DATE

DM

JW

SEE SHEET 1.



NOTE:

1. DIMENSION:

TRAY: L = 365, W = 255, H = 33

CARTON: L = 385, W = 270, H = 365

2. QUANTITY:

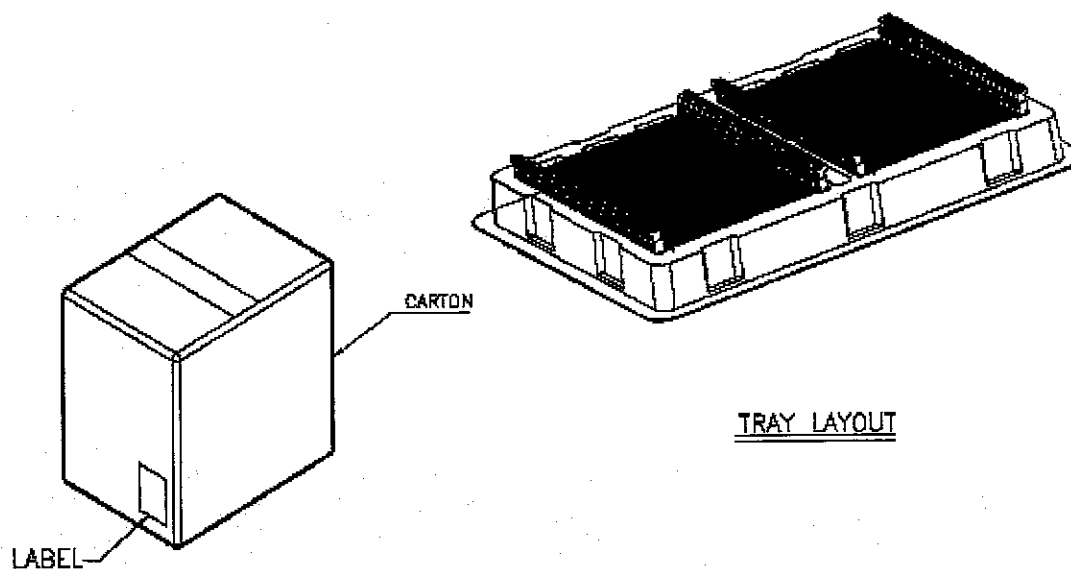
50 PCS/TRAY

10 TRAYS/CARTON (500 PCS/CARTON)

3. WEIGHT:

NET WEIGHT: 5.0KG

GROSS WEIGHT: 7.0KG



THIS DRAWING IS A CONTROLLED DOCUMENT.

DM

H. HUANG

201005003

tyco

Tyco Holdings (Bermuda)

Electronics

VI Ltd. Taiwan Branch

DIMENSIONS:

TOLERANCES UNLESS OTHERWISE SPECIFIED:

MM

0 P/LC	±
1 P/LC	±
2 P/LC	±
3 P/LC	±
4 P/LC	±
ANGLES	±



MATERIAL

FINISH

CHK

S. HOU

APRD

W. J. KE

PROJECT SPEC

PROJECT SPEC

APPLICATION SPEC

PROJECT SPEC

PROJECT SPEC

PROJECT SPEC

CUSTOMER DRAWING

NAME

PROJECT SPEC

PROJECT SPEC

PROJECT SPEC

PROJECT SPEC

PROJECT SPEC

PROJECT SPEC

PROJECT SPEC

PROJECT SPEC

DIMM DDR1 SOCKET 240P
WITH TRANSPARENT LATCH

SIZE

A3

QNT CODE

00779

DRAWING NO

C-1775427

RESTRICTED TO

PROJECT SPEC

PROJECT SPEC

PROJECT SPEC

PROJECT SPEC

SCALE

PROJECT SPEC

SHEET

3 OF 3

REV

A