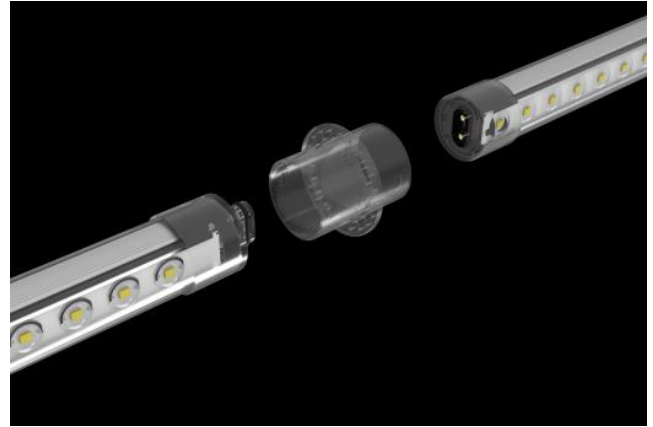


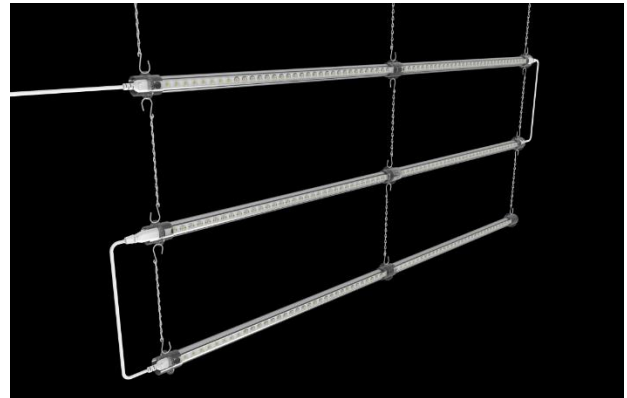
SIGN STORM™ LED Sign Tube



Easy Retrofit



Direct AC Power For New Installation



Hanging Installation

The SignStorm Sign tube from Beyond LED Technology is one of the most energy efficient product of 2021 which offers a very long lifespan, as they are designed primarily to substitute the fluorescent lamps. SignStorm lamps are available with a Type B ballast bypass design that offers easy installation and operation. In addition, these sign tube can be used with hard-wiring tombstone lamp-holders that can be connected directly to incoming AC power leads. Dual-ended bypass lamps eliminate the need to replace shunted tombstone lamp-holders in existing fluorescent luminaires, while maintaining a high Lumen output and up to 125 lumens per watt efficacy. AC power code is also provided for new installation.

Specifications




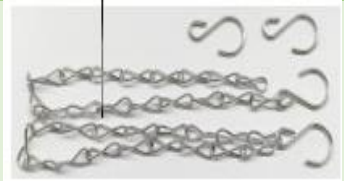
SKU #	Watts	Lumens	Type	CCT	Input Voltage	Illumination	Size	IP	Certifications
152727	3W	336Lm	Type B / Double Ended Power	6500K	AC 120-277V	Single Sided 180°	12"	IP65	ETL
152728	4.5W	507Lm	Type B / Double Ended Power	6500K	AC 120-277V	Single Sided 180°	18"	IP65	ETL
152729	7.5W	844Lm	Type B / Double Ended Power	6500K	AC 120-277V	Single Sided 180°	30"	IP65	ETL
152730	10.5W	1181Lm	Type B / Double Ended Power	6500K	AC 120-277V	Single Sided 180°	42"	IP65	ETL
152731	6W	675Lm	Type B / Double Ended Power	6500K	AC 120-277V	Double Sided 360°	12"	IP65	ETL
152732	9W	1012Lm	Type B / Double Ended Power	6500K	AC 120-277V	Double Sided 360°	18"	IP65	ETL
152733	15W	1687Lm	Type B / Double Ended Power	6500K	AC 120-277V	Double Sided 360°	30"	IP65	ETL
152734	21W	2362Lm	Type B / Double Ended Power	6500K	AC 120-277V	Double Sided 360°	42"	IP65	ETL

Product Features

- Operating temperature: -20°C to 45°C
- High energy efficiency, long lifespan, 50,000 hour lifetime
- Lockable and Rotatable R17d end cap ensures easy installation and consistent light distribution
- Integral LED driver (non-isolated), eliminates the need for an external driver or ballast
- Up to 125 lumens per watt
- ETL listed
- High Quality and Efficacy Hongli 2835 chips
- This product is IP44 rated, therefore, it is touchproof and resistant to dust
- Universal operation at 120-277Vac 50-60Hz
- Environment friendly with no mercury
- Type B, ballast bypass design offers easy installation and operation
- Direct replacement for fluorescent lamps
- Reduced maintenance and replacement costs
- Available in four different sizes
- Option of making virtually any size by combining two parts of the product in one tube
- Non flicker, optical lens covers eliminate hot spots and ensure consistent light distribution
- Aluminium + PC lamp housing ensures less breakage and good heat dissipation



Components

Component Name	SKU Number	Specification	Image
End Cap R17d for Sign Tube (Needed when Use as Tube)	152736	End Cap R17d for Sign Tube (Needed when Use as Tube)	
Transparent Butt Joint	152735	Transparent Butt Joint	
Waterproof	153458	Needed when use as fixture. Length: 39.37"	
Power Cord with plug			
Hanging Chain	152737	12", With "S" hook	



SKU No. 152727 Specifications



General Performance	Input Power	3W
	Model	T8 sign tube-single side PVST812-3WD-180-65K ETL
	Lumen	Up to 336LM
	Lumen Efficacy	Up to 125LM/W
	Color Temperature	6500K
	CRI	>80
	Diffuser Type	Clear
	Beam Angle	180°
Electrical	Input Voltage	120-277VAC 50/60Hz
	PF	≥0.9
Physical	DLC Type	Type B
	Power Ends	2 power ends
	Size	12"
	Lens	Clear Cover
Qualification	LED Brand	Hongli
	LED Type	SMD 2835
	LED QTY	9 PCS
	Housing	PC + Aluminum
	Driver	Beyond LED Technology Driver
	IP Rating	IP44
	Warranty Time	5 Years



SKU No. 152728 Specifications



General Performance	Input Power	4.5W
	Model	T8 sign tube-single side PVST818-4.5WD-180-65K ETL
	Lumen	Up to 507LM
	Lumen Efficacy	Up to 125LM/W
	Color Temperature	6500K
	CRI	>80
	Diffuser Type	Clear
	Beam Angle	180°
Electrical	Input Voltage	120-277VAC 50/60Hz
	PF	≥0.9
Physical	DLC Type	Type B
	Power Ends	2 power ends
	Size	18"
	Lens	Clear Cover
Qualification	LED Brand	Hongli
	LED Type	SMD 2835
	LED QTY	12 PCS
	Housing	PC + Aluminum
	Driver	Beyond LED Technology Driver
	IP Rating	IP44
	Warranty Time	5 Years

SKU No. 152729 Specifications



General Performance	Input Power	7.5W
	Model	T8 sign tube-single side PVST830-7.5WD-180-65K ETL
	Lumen	Up to 844LM
	Lumen Efficacy	Up to 125LM/W
	Color Temperature	6500K
	CRI	>80
	Diffuser Type	Clear
	Beam Angle	180°
Electrical	Input Voltage	120-277VAC 50/60Hz
	PF	≥0.9
Physical	DLC Type	Type B
	Power Ends	2 power ends
	Size	30"
	Lens	Clear Cover
Qualification	LED Brand	Hongli
	LED Type	SMD 2835
	LED QTY	22 PCS
	Housing	PC + Aluminum
	Driver	Beyond LED Technology Driver
	IP Rating	IP44
	Warranty Time	5 Years



SKU No. 152730 Specifications



General Performance	Input Power	10.5W
	Model	T8 sign tube-single side PVST842-10.5WD-180-65K ETL
	Lumen	Up to 1181LM
	Lumen Efficacy	Up to 125LM/W
	Color Temperature	6500K
	CRI	>80
	Diffuser Type	Clear
	Beam Angle	180°
Electrical	Input Voltage	120-277VAC 50/60Hz
	PF	≥0.9
Physical	DLC Type	Type B
	Power Ends	2 power ends
	Size	42"
	Lens	Clear Cover
Qualification	LED Brand	Hongli
	LED Type	SMD 2835
	LED QTY	30 PCS
	Housing	PC + Aluminum
	Driver	Beyond LED Technology Driver
	IP Rating	IP44
	Warranty Time	5 Years

SKU No. 152731 Specifications



General Performance	Input Power	6W
	Model	T8 sign tube-double sides PVST812-6WD-360-65K ETL
	Lumen	Up to 675LM
	Lumen Efficacy	Up to 125LM/W
	Color Temperature	6500K
	CRI	>80
	Diffuser Type	Clear
	Beam Angle	360°
Electrical	Input Voltage	120-277VAC 50/60Hz
	PF	≥0.9
Physical	DLC Type	Type B
	Power Ends	2 power ends
	Size	12"
	Lens	Clear Cover
Qualification	LED Brand	Hongli
	LED Type	SMD 2835
	LED QTY	18 PCS
	Housing	PC + Aluminum
	Driver	Beyond LED Technology Driver
	IP Rating	IP44
	Warranty Time	5 Years



SKU No. 152732 Specifications



General Performance	Input Power	9W
	Model	T8 sign tube-double sides PVST818-9WD-360-65K ETL
	Lumen	Up to 1012LM
	Lumen Efficacy	Up to 125LM/W
	Color Temperature	6500K
	CRI	>80
	Diffuser Type	Clear
	Beam Angle	360°
Electrical	Input Voltage	120-277VAC 50/60Hz
	PF	≥0.9
Physical	DLC Type	Type B
	Power Ends	2 power ends
	Size	18"
	Lens	Clear Cover
Qualification	LED Brand	Hongli
	LED Type	SMD 2835
	LED QTY	24 PCS
	Housing	PC + Aluminum
	Driver	Beyond LED Technology Driver
	IP Rating	IP44
	Warranty Time	5 Years

SKU No. 152733 Specifications



General Performance	Input Power	15W
	Model	T8 sign tube-double sides PVST830-15WD-360-65K ETL
	Lumen	Up to 1687LM
	Lumen Efficacy	Up to 125LM/W
	Color Temperature	6500K
	CRI	>80
	Diffuser Type	Clear
	Beam Angle	360°
Electrical	Input Voltage	120-277VAC 50/60Hz
	PF	≥0.9
Physical	DLC Type	Type B
	Power Ends	2 power ends
	Size	30"
	Lens	Clear Cover
Qualification	LED Brand	Hongli
	LED Type	SMD 2835
	LED QTY	44 PCS
	Housing	PC + Aluminum
	Driver	Beyond LED Technology Driver
	IP Rating	IP44
	Warranty Time	5 Years

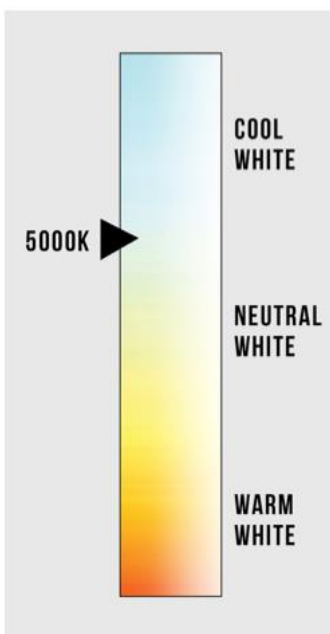


SKU No. 152734 Specifications



General Performance	Input Power	21W
	Model	T8 sign tube-double sides PVST848-21WD-360-65K ETL
	Lumen	Up to 2362LM
	Lumen Efficacy	Up to 125LM/W
	Color Temperature	6500K
	CRI	>80
	Diffuser Type	Clear
	Beam Angle	360°
Electrical	Input Voltage	120-277VAC 50/60Hz
	PF	≥0.9
Physical	DLC Type	Type B
	Power Ends	2 power ends
	Size	42"
	Lens	Clear Cover
Qualification	LED Brand	Hongli
	LED Type	SMD 2835
	LED QTY	60 PCS
	Housing	PC + Aluminum
	Driver	Beyond LED Technology Driver
	IP Rating	IP44
	Warranty Time	5 Years

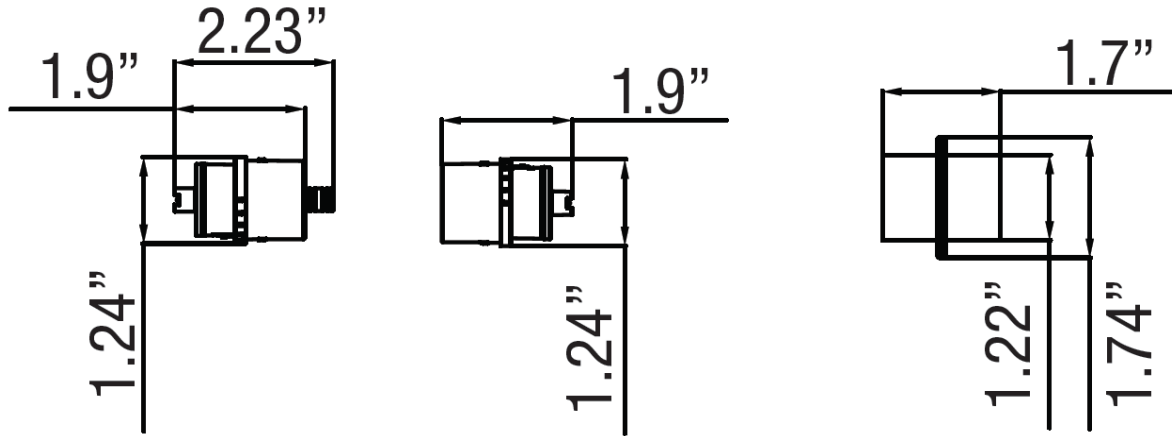
Correlated Color Temperature (CCT)



Dimensions

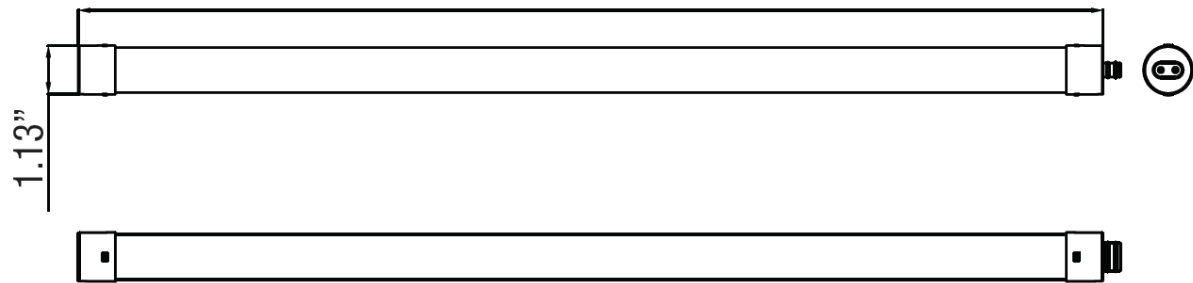
The units covered by this report were intended to retrofit surface mount with diffuser for these models, Type IC or non-IC recessed mount listed fluorescent luminaires that use maximum two tubular lamps, the minimum lamp compartment dimensions are tabulated below:

SKU Number	Model	MIN. distance between tubes installation lighting sign(inches)	MAX. Interconnected Unit
152734	BLT-ST842-21W-360-65K	3.94	20
152730	BLT-ST842-10.5W-180-65K		
152733	BLT-ST830-15W-360-65K	3.94	20
152729	BLT-ST830-7.5W-180-65K		
152732	BLT-ST818-9W-360-65K	3.94	20
152728	BLT-ST818-4.5W-180-65K		
152731	BLT-ST812-6W-360-65K	3.94	20
152727	BLT-ST812-3W-180-65K		



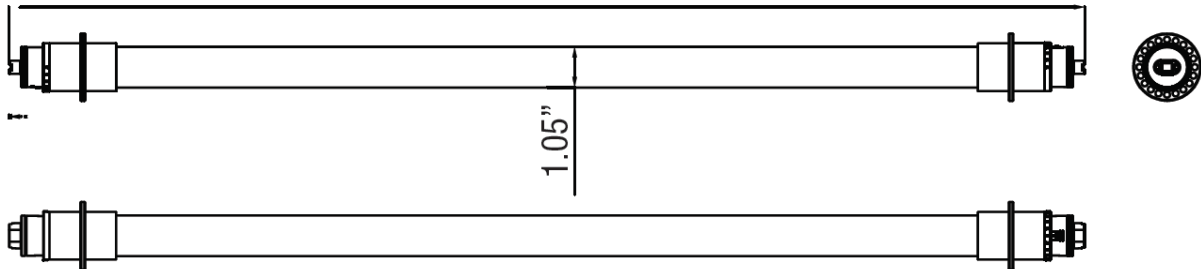
Single Sided

12" / 18" / 30" / 42"



Double Sided

15.82" / 21.82" / 33.82" / 45.82"



SKU number 152727 Light Distribution Testing Parameters

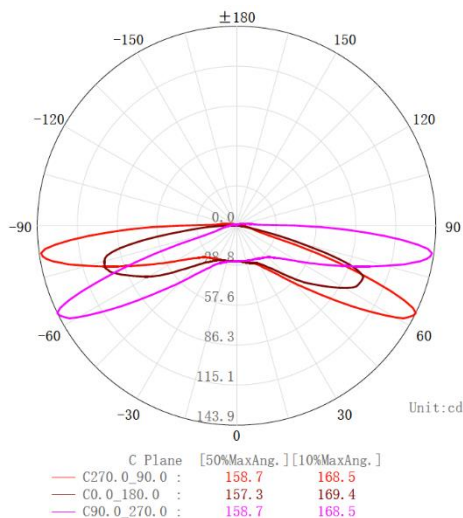
Luminaire Data

Luminary Flux(lm):	375.486	Field Angle(10%Imax):	168.5(°)
Luminary Efficiency:	100.13%	Down Lumens&Percent:	361.370lm 96.24%
Luminary EER(lm/W):	134.102	Up Lumens&Percent:	14.116lm 3.76%
Max. Candela(cd):	143.906	S/MH:	C0_a180=2.780 C90_270=2.897
Max Cand@Ang. (°):	C=270.0 γ=64.0	CIE Type:	Semi-Direct
Beam Angle(50%Imax):	158.7(°)	ErP φ use(120°):	138.416lm
Left=-88.3°, Right=70.4°		IRF(%):	37.361

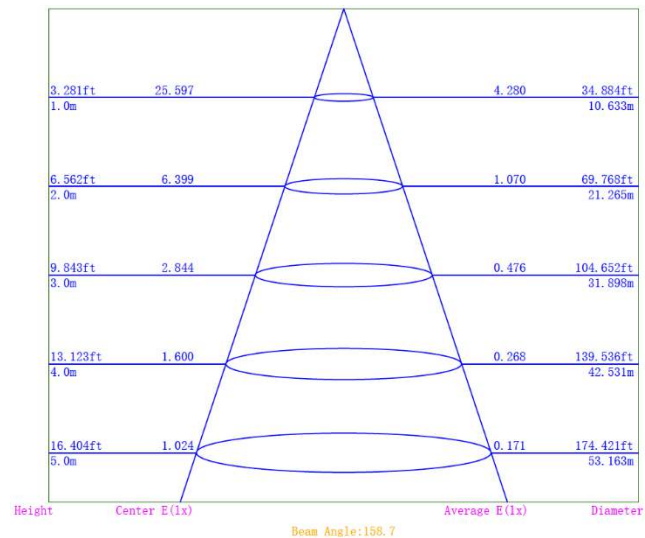


Photometric Results

Distribution Diagram



The Average Illuminance Effective Figure



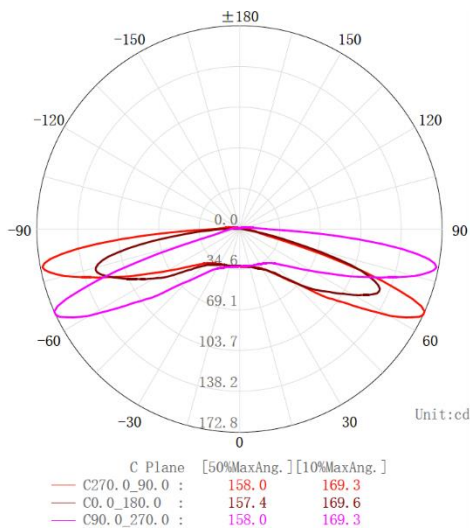
SKU number 152728 Light Distribution Testing Parameters

Luminaire Data

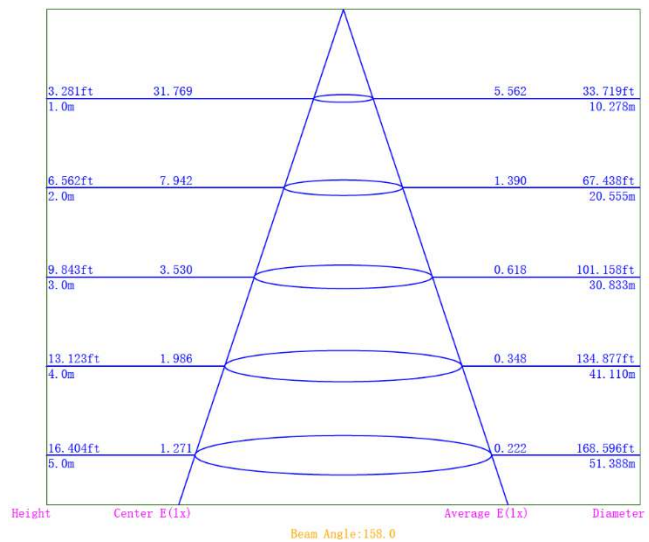
Luminary Flux(lm):	457.733	Field Angle(10%Imax):	169.3(°)
Luminary Efficiency:	100.16%	Down Lumens&Percent:	441.952lm 96.55%
Luminary EER(lm/W):	123.712	Up Lumens&Percent:	15.781lm 3.45%
Max. Candela(cd):	172.787	S/MH:	C0_a180=2.568 C90_270=2.847
Max Cand@Ang. (°):	C=270.0 γ=65.0	CIE Type:	Semi-Direct
Beam Angle(50%Imax):	158.0(°)	ErP Φuse(120°):	167.848lm
	Left=-85.7°, Right=72.3°	IRF(%):	36.634

Photometric Results

Distribution Diagram



The Average Illuminance Effective Figure



SKU number 152729 Light Distribution Testing Parameters

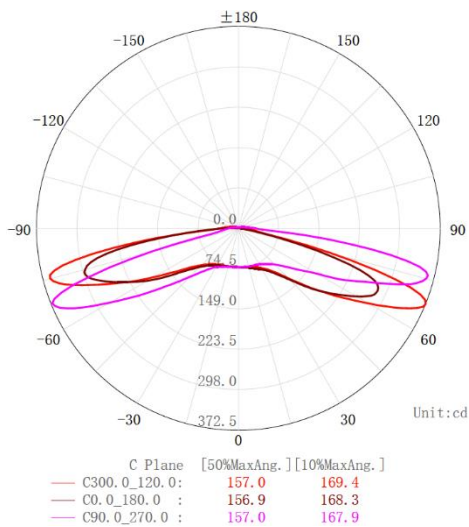
Luminaire Data

Luminary Flux(lm):	1007.877	Field Angle(10%Imax):	169.4(°)
Luminary Efficiency:	100.09%	Down Lumens&Percent:	977.273lm 96.96%
Luminary EER(lm/W):	130.893	Up Lumens&Percent:	30.604lm 3.04%
Max. Candela(cd):	372.524	S/MH:	C0_a180=2.562 C90_270=2.573
Max Cand@Ang. (°):	C=300.0 γ =68.0	CIE Type:	Semi-Direct
Beam Angle(50%Imax):	157.0(°)	ErP ϕ use(120°):	370.248lm
Left=-82.2°, Right=74.8°		IRF (%):	36.946

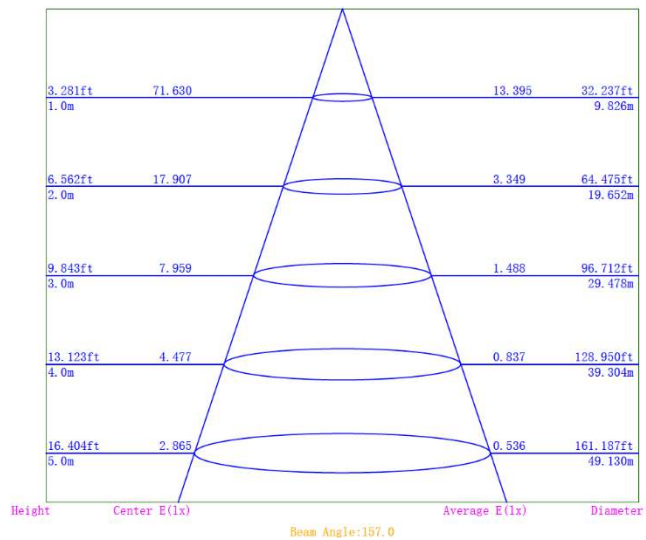


Photometric Results

Distribution Diagram



The Average Illuminance Effective Figure



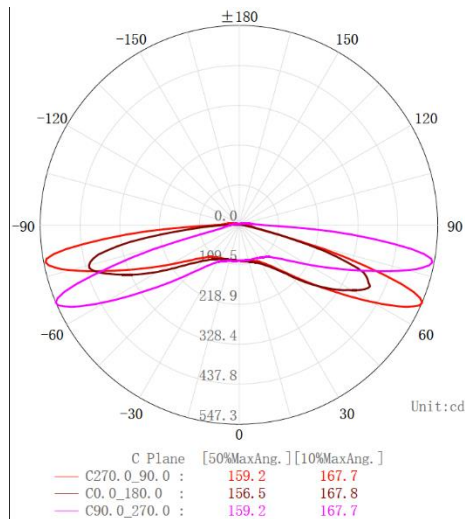
SKU number 152730 Light Distribution Testing Parameters

Luminaire Data

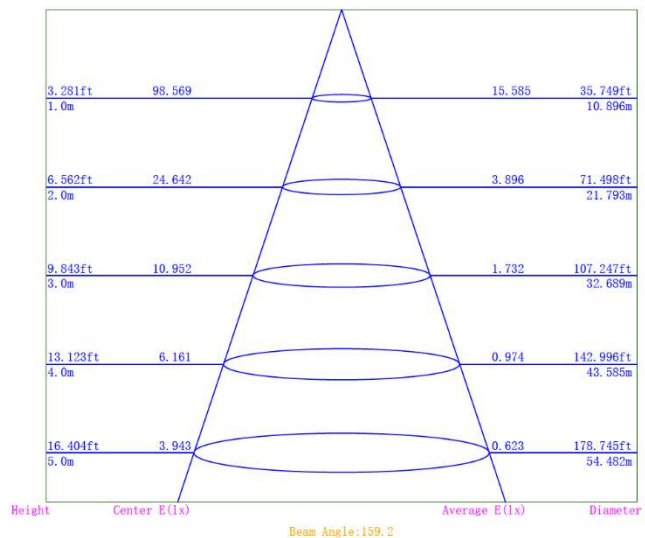
Luminary Flux(lm):	1439.850	Field Angle(10%Imax):	167.7(°)
Luminary Efficiency:	100.06%	Down Lumens&Percent:	1395.890lm 96.95%
Luminary EER(lm/W):	130.895	Up Lumens&Percent:	43.960lm 3.05%
Max. Candela(cd):	547.290	S/MH:	C0_a180=2.636 C90_270=2.747
Max Cand@Ang. (°):	C=270.0 γ=67.0	CIE Type:	Semi-Direct
Beam Angle(50%Imax):	159.2(°)	ErP φuse(120°):	510.222lm
Left=-85.6°, Right=73.6°		IRF(%):	37.918

Photometric Results

Distribution Diagram



The Average Illuminance Effective Figure



SKU number 152731 Light Distribution Testing Parameters

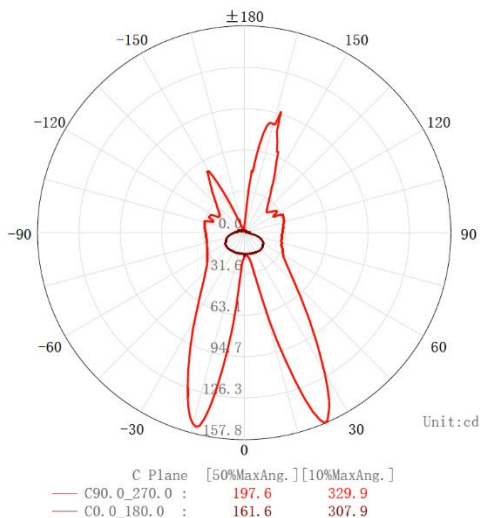
Luminaire Data

Luminary Flux(lm):	646.466	Field Angle(10%Imax):	329.9(°)
Luminary Efficiency:	100.07%	Down Lumens&Percent:	399.935lm 61.86%
Luminary EER(lm/W):	104.269	Up Lumens&Percent:	246.531lm 38.14%
Max. Candela(cd):	157.841	S/MH:	C0_a180=1.485 C90_270=2.563
Max Cand@Ang. (°):	C=90.0 γ=23.0	CIE Type:	General Diffuse
Beam Angle(50%Imax):	66.6(°)	ErP φ use(120°):	239.743lm
	Left=-28.9°, Right=37.7°	IRF(%):	155.258

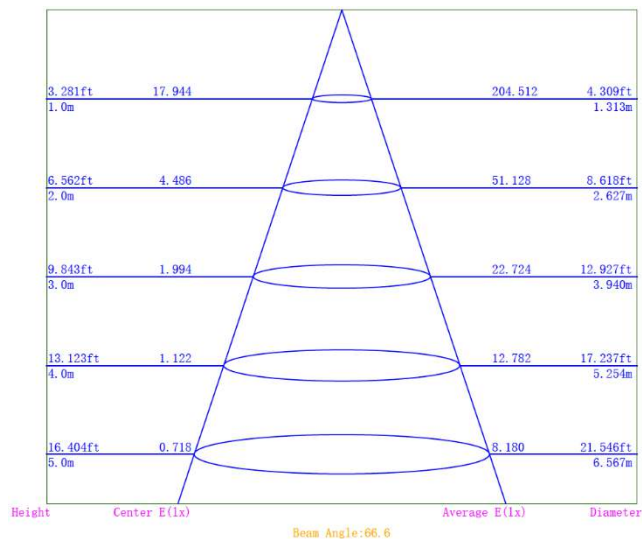


Photometric Results

Distribution Diagram



The Average Illuminance Effective Figure



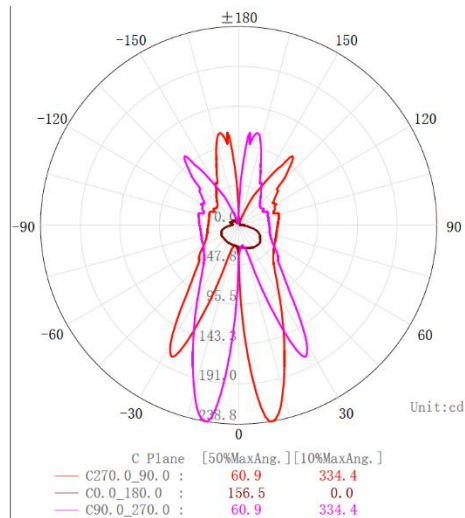
SKU number 152732 Light Distribution Testing Parameters

Luminaire Data

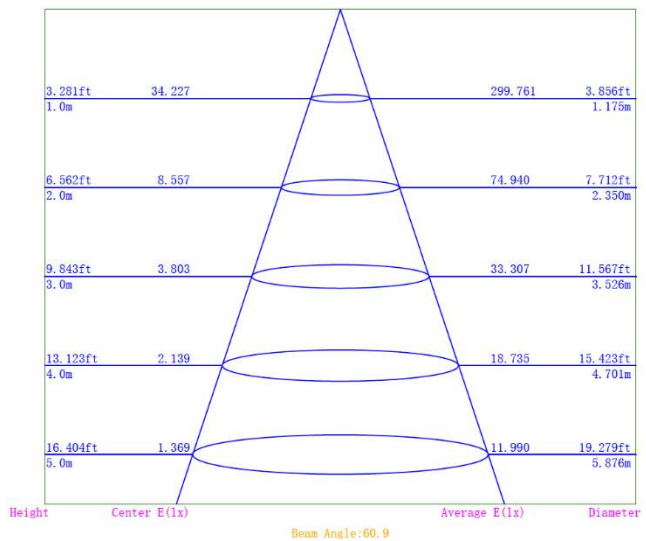
Luminary Flux(lm):	907.472	Field Angle(10%Imax):	334.4(°)
Luminary Efficiency:	100.05%	Down Lumens&Percent:	544.173lm 59.97%
Luminary EER(lm/W):	96.540	Up Lumens&Percent:	363.298lm 40.03%
Max. Candela(cd):	238.798	S/MH:	C0_a180=1.245 C90_270=2.272
Max Cand@Ang. (°):	C=270.0 γ=10.0	CIE Type:	Semi-Indirect
Beam Angle(50%Imax):	60.9(°)	ErP φ use(120°):	318.387lm
Left=-35.0°, Right=25.0°		IRF(%):	192.381

Photometric Results

Distribution Diagram



The Average Illuminance Effective Figure



SKU number 152733 Light Distribution Testing Parameters

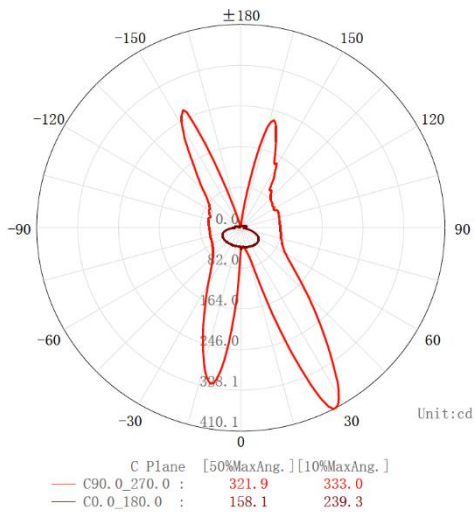
Luminaire Data

Luminary Flux(lm):	1644.040	Field Angle(10%Imax):	333.0(°)
Luminary Efficiency:	100.00%	Down Lumens&Percent:	971.292lm 59.08%
Luminary EER(lm/W):	107.454	Up Lumens&Percent:	672.748lm 40.92%
Max. Candela(cd):	410.079	S/MH:	C0_a180=1.471 C90_270=2.575
Max Cand@Ang. (°):	C=90.0 γ=27.0	CIE Type:	Semi-Indirect
Beam Angle(50%Imax):	199.8(°)	ErP Φuse(120°):	577.601lm
Left=-156.5°, Right=43.3°		IRF (%):	144.802

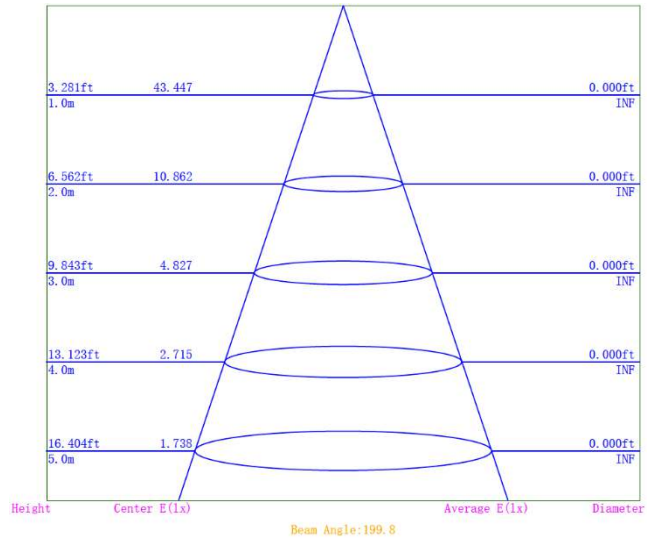


Photometric Results

Distribution Diagram



The Average Illuminance Effective Figure



SKU number 152734 Light Distribution Testing Parameters

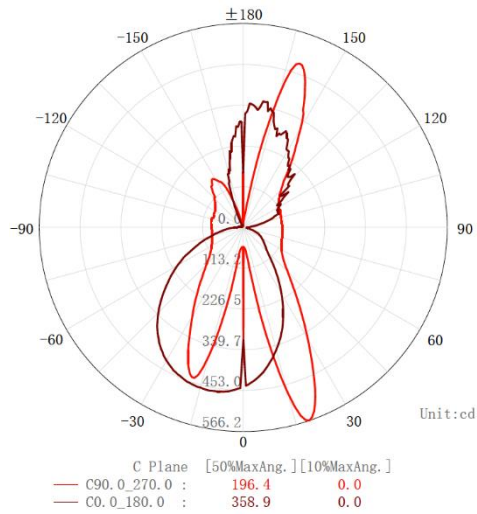
Luminaire Data

Luminary Flux(lm):	2312.981	Field Angle(10%Imax):	360.0(°)
Luminary Efficiency:	99.83%	Down Lumens&Percent:	1325.993lm 57.33%
Luminary EER(lm/W):	106.589	Up Lumens&Percent:	986.988lm 42.67%
Max. Candela(cd):	566.224	S/MH:	C0_a180=1.411 C90_270=0.003
Max Cand@Ang. (°):	C=90.0 γ=19.0	CIE Type:	Semi-Indirect
Beam Angle(50%Imax):	64.3(°)	ErP Φ use(120°):	771.124lm
Left=-29.8°, Right=34.5°		IRF(%):	192.650

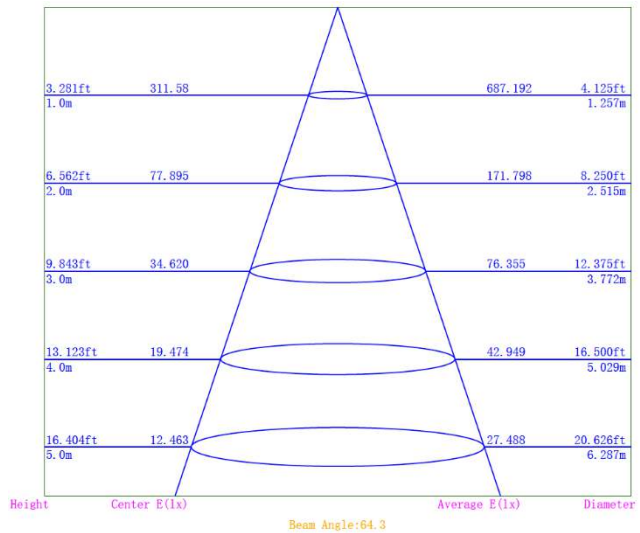


Photometric Results

Distribution Diagram



The Average Illuminance Effective Figure



Notes Before Installation

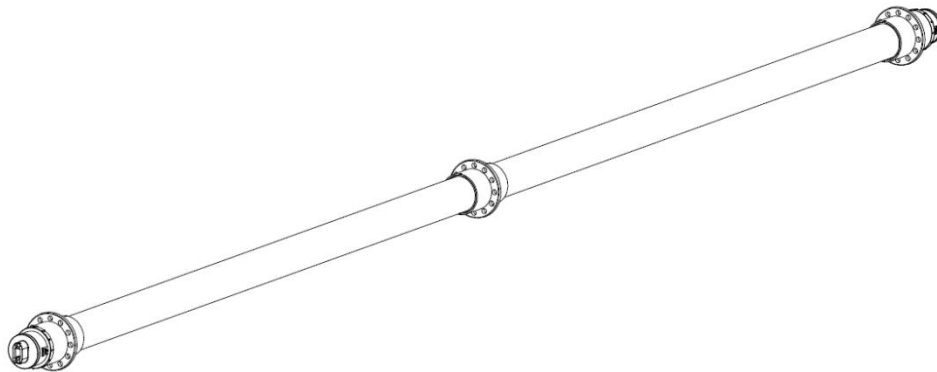
1. Be careful to open the carton, contact us if any damage.
2. This product must be installed in accordance with the applicable installation, code by a person familiar with the construction and operation of the product and the hazards involved.
3. “caution - risk of shock” and “disconnect power before servicing” when photoelectric switch provided.
4. Please check whether the voltage marked on the luminaire is consistent with the input voltage to be connected, so as not to damage the LED luminaire.
5. To ensure the lifetime of the product, please do not use it in a place with strong acid mist.
6. Make sure the installation position can withstand 10 times the weight of the luminaire before installation and install it at a flat place without vibration, no swing, no fire hazard.

Caution

1. Do not use an electric generator to test the LED fixture.
2. Please abide by related country, regional and local law and regulations when install this fixture;
3. Do not install the fixture in raining days to avoid electrical shock or damage.



Installation Instructions



Please keep this Quick Installation Guide for future reference.
Modifications to the product void the Warranty.
Suitable to replace fluorescent lamps as specified on the product label.

WARNING

1. INSTALLATION OR ASSEMBLY INSTRUCTIONS

- a) Wiring instructions that specify the proper method of connecting the grounding means and maintaining polarity shall be included with the luminaire in a manner that will require the installer to handle the instructions during installation.
- b) Specification of mounting hardware shall be included in the instruction sheet.
- c) Other warnings that will not lead to misuse.

2. THIS DEVICE IS NOT INTENDED FOR USE WITH EMERGENCY EXITS

3. **WARNING** – Risk of fire or electric shock. LED Retrofit Kit installation requires knowledge of sign electrical systems. If not qualified, do not attempt installation. Contact a qualified electrician.

4. **WARNING** – Risk of fire or electric shock. Install this kit only in host signs that have been identified in the installation instructions and where the input rating of the retrofit kit does not exceed the input rating of the sign.

5. **WARNING** – Risk of fire or electric shock. Installation of this LED retrofit kit may involve drilling or punching of holes into the structure of the sign. Check for enclosed wiring and components to avoid damage to wiring and electrical parts.

6. Installer should examine all parts that are not intended to be replaced by the retrofit kit for damage and replace any damaged parts prior to installation of the retrofit kit.

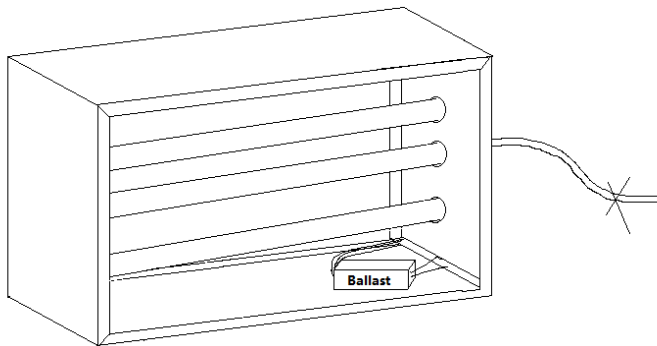
7. Installers should not disconnect existing wires from lamp holder terminals to make new connections at lamp holder terminals. Instead installers should cut existing lamp holder leads away from the lamp holder and make new electrical connections to lamp holder lead wires by employing applicable connectors.

8. Repair and seal any unused openings in the electrical enclosure. Openings greater than 0.5 inches diameter require a metal patch secured by screws or rivets and caulked with non-hardening caulk. Smaller openings may be sealed with non-hardening caulk.

9. **WARNING:** To avoid potential fire or shock hazard, do not use this retrofit kit with existing shunted bi-pin lamp holders in the host sign. Note: Shunted lamp holders are found only in fluorescent signs with Instant-Start ballasts. Instant-start ballasts can be identified by the words "Instant Start" or "I.S." marked on the ballast. This designation may be in the form of a statement pertaining to the ballast itself, or may be combined with the marking for the lamps with which the ballast is intended to be used.

INSTALLATION GUIDE

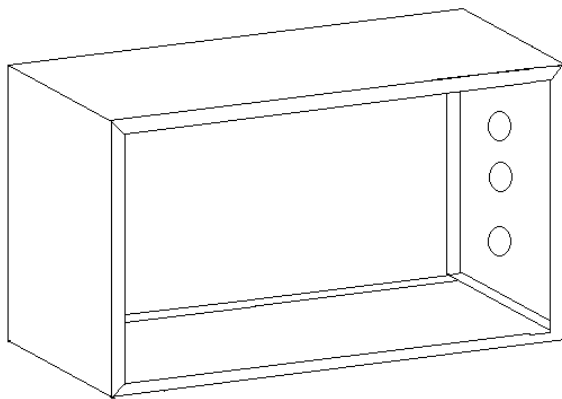
1. DISCONNECT POWER OF LUMINAIRE



Disconnect power to luminaire or circuit (if possible). Ensure all power is off by using a voltmeter or other method to confirm.

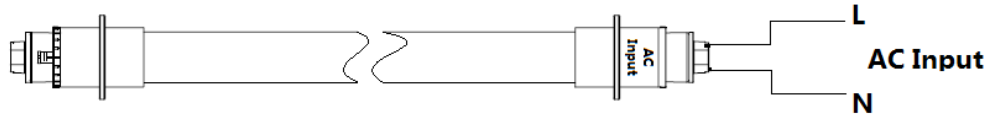
2. REMOVE EXISTING FLUORESCENT TUBE LAMP(S) AND BALLAST

- a. Remove fixture lens, if present.
- b. Remove existing fluorescent lamp(s).
- c. Expose the sign raceway to access the wiring. Then cut input and output wires from the ballast, and remove the ballast.



3. FIXTURE REWIRING

- a. R17d lamp holder installation, please rewiring the fixture according to the below diagram.



b. Power cord installation, please rewiring the fixture according to the below diagram.

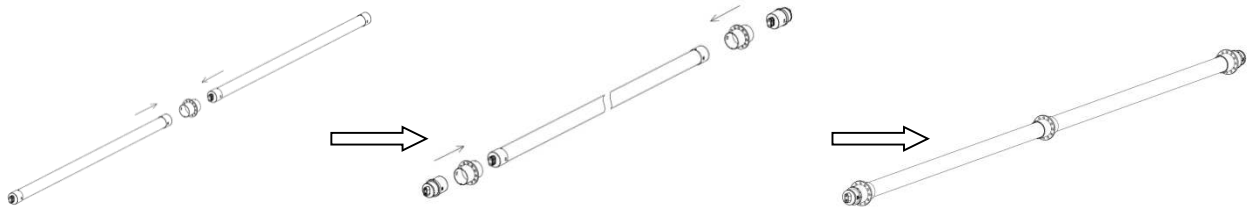


4. SIGN TUBE LIGHT ASSEMBLE

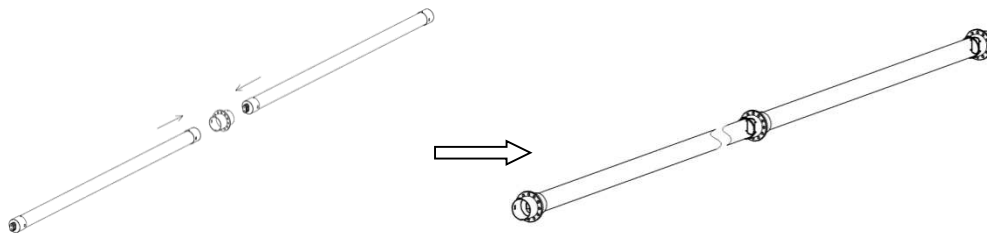
a. Please check the length of the original fluorescent tube, and then select the right components accordingly.

b. LED Sign tube light assemble

If R17d lamp holder installation, please assemble as shown below:



If Power cord installation, please assemble as shown below:

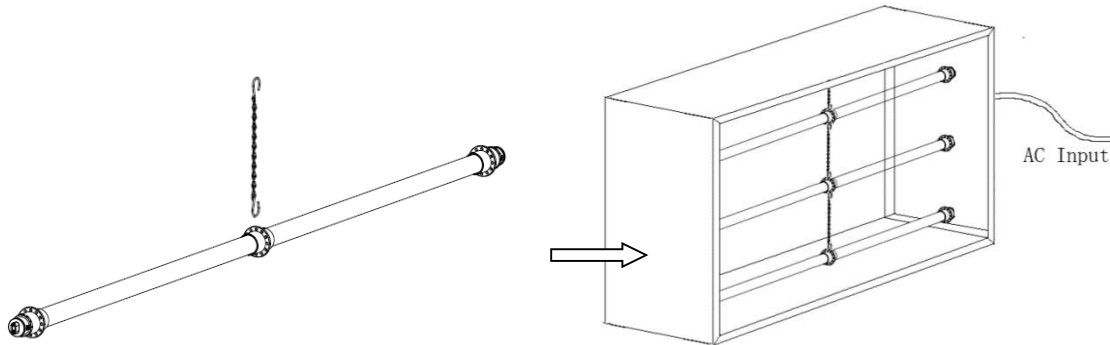


5. INSERT LED SIGN TUBE LIGHTS

5.1 R17d lamp holder installation

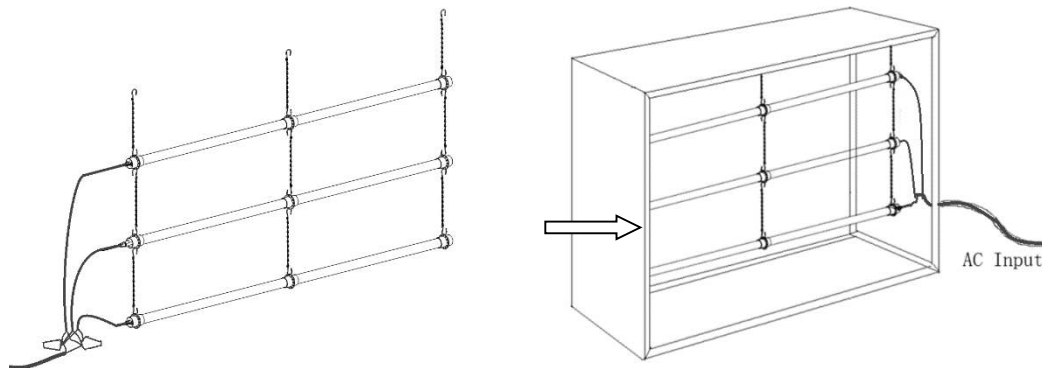
- Read label on the lamp to ensure the power end of LED is aligned with powered tube socket, then insert LED lamp in the normal way by sliding pins into sockets and rotating a quarter turn until LED tube locks in place.
- Repeat above step for all LED tube lamps.
- Fix the hanging chain to hanging connector on the splicing part of the lamp, and hang up with chains one to one between connectors, as shown below.
- LED lamps are now fully installed.

- e. Replace troffer lens, if present.
- f. After modification completed. Attach the Replacement Marking and cautionary Label to a visible place on the luminaire and keep it visible after installation.



5.2 Power cord installation

- a. Fix the hanging chain to hanging connectors on the splicing part and end caps of the lamp, and hang up with chains one to one between connectors, as shown below.
- b. Read label on the lamp on the bottom to ensure the power end of LED. Use connector cord to link the other end to the end of above lamp. Make sure the power of each circuit is not higher than 550W.
- c. Read label on the lamp on the bottom to ensure the power end of LED. Insert the power cord to the powered each end of the bottom lamp.
- d. Connect the power cords together to AC input wire
- e. LED lamps are now fully installed.
- f. Replace troffer lens, if present.
- g. After modification completed. Attach the Replacement Marking and cautionary Label to a visible place on the luminaire and keep it visible after installation.



6. RESTORE THE POWER OF LUMINAIRE

Restore power to circuit/luminaire and test light. If necessary, adjust position of LED tube, and enjoy your new LED tube light!

Trouble Shooting

Troubles	Check points
Flickering of the light	Turn off the power and turn on again in 3 minutes. If same phenomena occur, then call agencies.
Out of working	Please check the connection.

Packaging

SKU Number	Model	Carton size (inches)	Carton G.W (lbs)
152734	BLT-ST842-21W-360-65K	46.8 x 7.5 x 8.07	28.66
152733	BLT-ST830-15W-360-65K	34.8 x 7.5 x 8.07	21.38
152732	BLT-ST818-9W-360-65K	22.83 x 7.52 x 8.07	12.79
152731	BLT-ST812-6W-360-65K	16.93 x 7.52 x 8.07	10.14
152730	BLT-ST842-10.5W-180-65K	46.8 x 7.5 x 8.07	26.01
152729	BLT-ST830-7.5W-180-65K	34.8 x 7.5 x 8.07	19.18
152728	BLT-ST818-4.5W-180-65K	22.83 x 7.52 x 8.07	12.57
152727	BLT-ST812-3W-180-65K	16.93 x 7.52 x 8.07	9.48

Application

Widely used in supermarket, warehouse, garage, home, office, hotel, hospital, school etc.

Safety Precautions

To reduce the risk of death, personal injury or property damage from fire, electric shock, falling parts, cuts/abrasions, and other hazards read all warnings and instructions included with and on the fixture box and all fixture labels.

Before installing, servicing, or performing routine maintenance upon this equipment, follow these general precautions.

Commercial installation, service and maintenance of luminaires should be performed by a qualified licensed electrician.

For the installation: If you are unsure about the installation or maintenance of the luminaires, consult a qualified licensed electrician and check your local electrical code.

To prevent wiring damage or abrasion, do not expose wiring to edges of sheet metal or other sharp objects. Do not make or alter any open holes in an enclosure of wiring or electrical components during kit installation.

WARNING: RISK OF FIRE OR ELECTRICAL SHOCK

Turn off electrical power at fuse or circuit breaker box before wiring fixture to the power supply.

Turn off the power when you perform any maintenance.

Verify that supply voltage is correct by comparing it with the luminaire label information.

Make all electrical and grounded connections in accordance with the National Electrical Code and any applicable local code requirements. All wiring connections should be capped with UL approved wire connectors.

CAUTION: RISK OF INJURY

Avoid direct eye exposure to the light source while it is on.

Account for small parts and destroy packing material, as these may be hazardous to children.



Warranty

5 Years Warranty