



High Speed CMOS 8-Bit Bus Interface Latch Transceivers

QS54/74FCT543T
QS54/74FCT544T

QS54/74FCT2543T
QS54/74FCT2544T

FEATURES/BENEFITS

- Pin and function compatible to the 74F543/544 74FCT543/544 and 74FCT543T/544T
- CMOS power levels: <7.5 mW static
- Available in DIP, SOIC, QSOP, ZIP, HQSOP
- Undershoot clamp diodes on all inputs
- TTL-compatible input and output levels
- Ground bounce controlled outputs
- Reduced output swing of 0-3.5V
- Military product compliant to MIL-STD-883

FCT-T 543T, 544T

- JEDEC-FCT spec compatible
- Fastest CMOS logic family available
- Std, A, C, and D speed grades with 4.6 ns t_{PD} for D
- $I_{OL} = 64$ mA Com., 48 mA Mil.

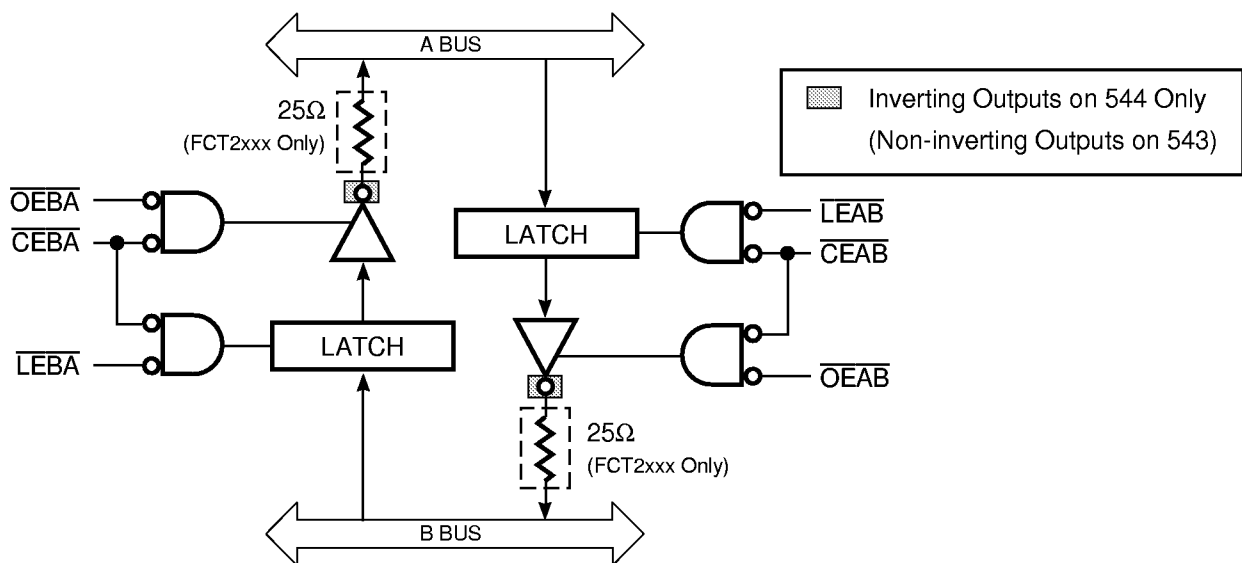
FCT-T 2543T, 2544T

- Built-in 25Ω series resistor outputs reduce reflection and other system noise
- Std, A, C, and D speed grades with 4.6 ns t_{PD} for D
- $I_{OL} = 12$ mA

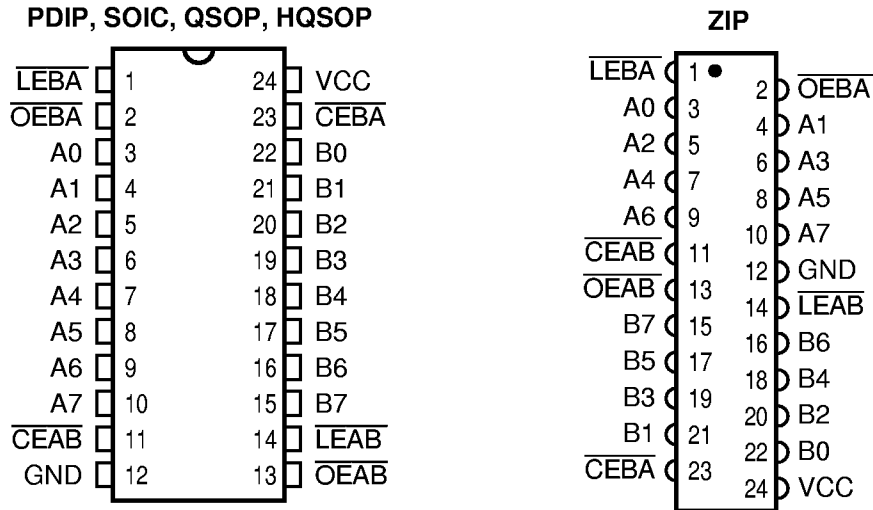
DESCRIPTION

The QSFCT543T/4T and QSFCT2543T/4T are 8-bit high-speed CMOS TTL-compatible latched bus transceivers with three-state outputs that are ideal for driving high capacitance loads such as memory and address buses. The 2543/4 devices are 25Ω resistor output versions useful for driving transmission lines and reducing system noise. The 2543 series parts can replace the 543 series to reduce noise in an existing design. All inputs have clamp diodes for undershoot noise suppression. All outputs have ground bounce suppression (see QSI Application Note AN-001), and outputs will not load an active bus when V_{CC} is removed from the device.

FUNCTIONAL BLOCK DIAGRAM



PIN CONFIGURATIONS (All Pins Top View)



PIN DESCRIPTION

Name	I/O	Description
A7-A0	I/O	A Bus
B7-B0	I/O	B Bus
\overline{CEAB}	I	Chip Select, A to B
\overline{CEBA}	I	Chip Select, B to A
\overline{LEAB}	I	Latch Enable, A to B
\overline{LEBA}	I	Latch Enable, B to A
\overline{OEAB}	I	Output Enable, A to B
\overline{OEBA}	I	Output Enable, B to A

FUNCTION TABLE - QSFCT543/544, 2543/2544

Inputs						Outputs		Function	
\overline{CEAB}	\overline{CEBA}	\overline{LEAB}	\overline{LEBA}	\overline{OEAB}	\overline{OEBA}	A7-A0	B7-B0	543/2543	544/2544
H	H	X	X	X	X	Hi-Z	Hi-Z	Disabled, Hold	Disabled, Hold
X	X	X	X	H	H	Hi-Z	Hi-Z	Disabled	Disabled
X	X	H	H	X	X	X	X	Hold	Hold
L	X	L	H	L	X	—	A	A → B Latch Transparent	A → B Latch Transparent
X	L	H	L	X	L	B	—	B → A Latch Transparent	B → A Latch Transparent
L	X	H	X	L	H	Hi-Z	NC	Hold Previous A Data	Hold Previous \overline{A} Data
X	L	X	H	H	L	NC	Hi-Z	Hold Previous B Data	Hold Previous \overline{B} Data

NC = No Change

ABSOLUTE MAXIMUM RATINGS

Supply Voltage to Ground	-0.5V to +7.0V
DC Output Voltage V_{OUT}	-0.5V to +7.0V
DC Input Voltage V_{IN}	-0.5V to +7.0V
AC Input Voltage (for a pulse width ≤ 20 ns)	-3.0V
DC Input Diode Current with $V_{IN} < 0$	-20 mA
DC Output Diode Current with $V_{OUT} < 0$	-50 mA
DC Output Current Max. Sink Current/Pin	120 mA
Maximum Power Dissipation	0.5 watts
T_{STG} Storage Temperature	-65° to +150°C

Note: Stresses greater than those listed under ABSOLUTE MAXIMUM RATINGS may cause permanent damage to QSI devices that result in functional or reliability type failures.

CAPACITANCE

$T_A = 25^\circ\text{C}$, $f = 1$ MHz, $V_{IN} = 0\text{V}$, $V_{OUT} = 0\text{V}$

Pins	SOIC	QSOP	PDIP	ZIP	Unit
—	4	4	5	7	pF
—	6	6	7	9	pF
1-11, 13-23	8	8	9	10	pF

Note: Capacitance is characterized but not tested.

POWER SUPPLY CHARACTERISTICS

Symbol	Parameter	Test Conditions ⁽¹⁾	Min	Max	Unit
I_{CC}	Quiescent Power Supply Current	$V_{CC} = \text{Max.}$, $\text{freq} = 0$ $0\text{V} \leq V_{IN} \leq 0.2\text{V}$ or $V_{CC}-0.2\text{V} \leq V_{IN} \leq V_{CC}$	—	1.5	mA
ΔI_{CC}	Supply Current per Input @ TTL HIGH	$V_{CC} = \text{Max.}$, $V_{IN} = 3.4\text{V}$, $\text{freq} = 0$ ⁽²⁾	—	2.0	mA
Q_{CCD}	Supply Current per Input per MHz	$V_{CC} = \text{Max.}$, Outputs Open and Enabled One Bit Toggling @ 50% Duty Cycle Other Inputs at GND or V_{CC} ^(3,4)	—	0.25	mA/ MHz

Notes:

- For conditions shown as Min. or Max., use the appropriate values specified under DC specifications.
- Per TTL driven input ($V_{IN} = 3.4\text{V}$).
- For flip-flops, Q_{CCD} is measured by switching one of the data input pins so that the output changes every clock cycle. This is a measurement of device power consumption only and does not include power to drive load capacitance or tester capacitance. This parameter is guaranteed by design but not tested.
- I_C can be computed using the above parameters as explained in the Technical Overview section.

QSFCT543T, 544T, 2543T, 2544T

DC ELECTRICAL CHARACTERISTICS OVER OPERATING RANGE

Commercial $T_A = 0^\circ\text{C}$ to 70°C , $V_{CC} = 5.0\text{V} \pm 5\%$

Military $T_A = -55^\circ\text{C}$ to 125°C , $V_{CC} = 5.0\text{V} \pm 10\%$

Symbol	Parameter	Test Conditions	Min	Typ ⁽¹⁾	Max	Unit
V_{IH}	Input HIGH Voltage	Logic HIGH for All Inputs	2.0	—	—	V
V_{IL}	Input LOW Voltage	Logic LOW for All Inputs	—	—	0.8	V
ΔV_T	Input Hysteresis	$V_{TLH} - V_{THL}$ for All Inputs	—	0.2	—	V
$ I_{IH} $ $ I_{IL} $	Input Current Input HIGH or LOW	$V_{CC} = \text{Max.}, 0 \leq V_{IN} < V_{CC}$	—	—	5	μA
$ I_{OZ} $	Off-State Output Current (Hi-Z)	$V_{CC} = \text{Max.}, 0 \leq V_{IN} \leq V_{CC}$	—	—	5	μA
I_{OS}	Short Circuit Current (FCTXXX)	$V_{CC} = \text{Max.}, V_{OUT} = \text{GND}^{(2,3)}$	-60	—	—	mA
I_{OR}	Current Drive (FCT2XXX – 25 Ω)	$V_{CC} = \text{Min.}, V_{OUT} = 2.0\text{V}^{(3)}$	50	—	—	mA
V_{IC}	Input Clamp Voltage	$V_{CC} = \text{Min.}, I_{IN} = -18 \text{ mA}, T_A = 25^\circ\text{C}^{(3)}$	—	-0.7	-1.2	V
V_{OH}	Output HIGH Voltage	$V_{CC} = \text{Min.}, I_{OH} = -12 \text{ mA (MIL)}$ $I_{OH} = -15 \text{ mA (COM)}$	2.4 2.4	— —	— —	V
V_{OL}	Output LOW Voltage (FCTXXX)	$V_{CC} = \text{Min.}, I_{OL} = 48 \text{ mA (MIL)}$ $I_{OL} = 64 \text{ mA (COM)}$	— —	— —	0.55 0.55	V
V_{OL}	Output LOW Voltage (FCT2XXX – 25 Ω)	$V_{CC} = \text{Min.}, I_{OL} = 12 \text{ mA (MIL)}$ $I_{OL} = 12 \text{ mA (COM)}$	— —	— —	0.50 0.50	V
R_{OUT}	Output Resistance (FCT2XXX – 25 Ω)	$V_{CC} = \text{Min.}, I_{OL} = 12 \text{ mA (MIL)}$ $I_{OL} = 12 \text{ mA (COM)}$	— 20	25 28	— 40	Ω

Notes:

1. Typical values indicate $V_{CC} = 5.0\text{V}$ and $T_A = 25^\circ\text{C}$.
2. Not more than one output should be shorted and the duration is ≤ 1 second.
3. These parameters are guaranteed by design but not tested.

QSFCT543T, 544T, 2543T, 2544T

SWITCHING CHARACTERISTICS OVER OPERATING RANGE

Commercial $T_A = 0^\circ\text{C}$ to 70°C , $V_{CC} = 5.0\text{V} \pm 5\%$

Military $T_A = -55^\circ\text{C}$ to 125°C , $V_{CC} = 5.0\text{V} \pm 10\%$

$C_{LOAD} = 50\text{ pF}$, $R_{LOAD} = 500\Omega$ unless otherwise noted.

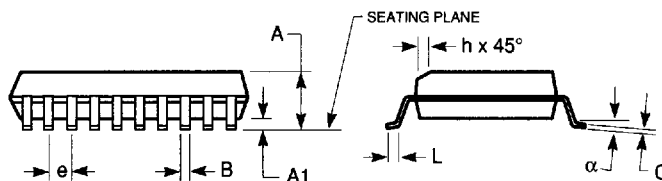
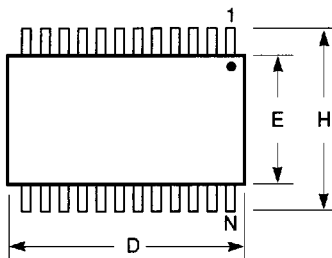
Symbol	Description ⁽¹⁾		543T 544T 2543T 2544T		543AT 544AT 2543AT 2544AT		543CT 544CT 2543CT 2544CT		543DT 544DT 2543DT 2544DT		Unit
			Min	Max	Min	Max	Min	Max	Min	Max	
t _{PHLB} t _{PLHB}	Bus to Bus Delay (Transparent)	COM MIL	2.5 2.5	8.5 10	2.5 2.5	6.5 7.5	2.5 2.5	5.5 6.1	2 2	4.6 4.6	ns
t _{PHLL} t _{PLHL}	Latch Enable to Data Delay	COM MIL	2.5 2.5	12.5 14	2.5 2.5	8 9	2.5 2.5	7 8	2.5 2.5	5.3 5.3	ns
t _{PZH} t _{PZL}	Output Enable Time	COM MIL	2 2	12 14	2 2	9 10	2 2	8 9	1.5 1.5	6.2 6.2	ns
t _{PLZ} t _{PHZ}	Output Disable Time ⁽²⁾	COM MIL	2 2	9 13	2 2	7.5 8.5	2 2	6.5 7.5	2 2	6 6	ns
ts	Setup Time Bus to \overline{LE}	COM MIL	3 3		2 2		2 2		2 2		ns
t _H	Hold Time Bus to \overline{LE}	COM MIL	2 2		2 2		2 2		2 2		ns
tw	Pulse Width LOW \overline{LE} ⁽²⁾	COM MIL	5 5		5 5		5 5		5 5		ns

Notes:

1. Minimums guaranteed but not tested for all parameters except t_s and t_H .
2. This parameter is guaranteed by design but not tested.
3. See Test Circuit and Waveforms.

300-MIL SOIC - Package Code SO

Plastic Small Outline Gull-Wing



- Notes:**
1. Refer to applicable symbol list.
 2. All dimensions are in inches.
 3. N is the number of lead positions.
 4. Dimensions D and E are to be measured at maximum material condition but do not include mold flash. Allowable mold flash is 0.006in. per side.
 5. Lead coplanarity is 0.004in. maximum.

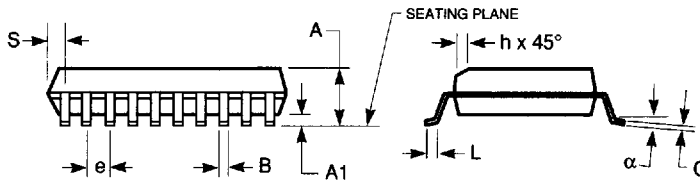
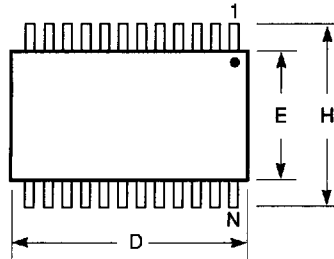
JEDEC#	MS-013AA		MS-013AC		MS-013AD		MS-013AE	
DWG#	PS16A		PS20A		PS24A		PS28A	
Symbol	Min	Max	Min	Max	Min	Max	Min	Max
A	0.096	0.104	0.096	0.104	0.096	0.104	0.096	0.104
A1	0.005	0.011	0.005	0.011	0.005	0.011	0.005	0.011
B	0.014	0.019	0.014	0.019	0.014	0.019	0.014	0.019
C	0.009	0.012	0.009	0.012	0.009	0.012	0.009	0.012
D	0.402	0.412	0.500	0.510	0.602	0.612	0.701	0.711
E	0.292	0.299	0.292	0.299	0.292	0.299	0.292	0.299
e	0.044	0.056	0.044	0.056	0.044	0.056	0.044	0.056
H	0.396	0.416	0.396	0.416	0.396	0.416	0.396	0.416
h	0.010	0.016	0.010	0.016	0.010	0.016	0.010	0.016
L	0.020	0.040	0.020	0.040	0.020	0.040	0.020	0.040
N	16		20		24		28	
α	0°	8°	0°	8°	0°	8°	0°	8°

7466803 0003749 900

QUALITY SEMICONDUCTOR, INC.

150-MIL QSOP - Package Code Q

**Quarter-Size Outline Package
Plastic Small Outline Gull-Wing**



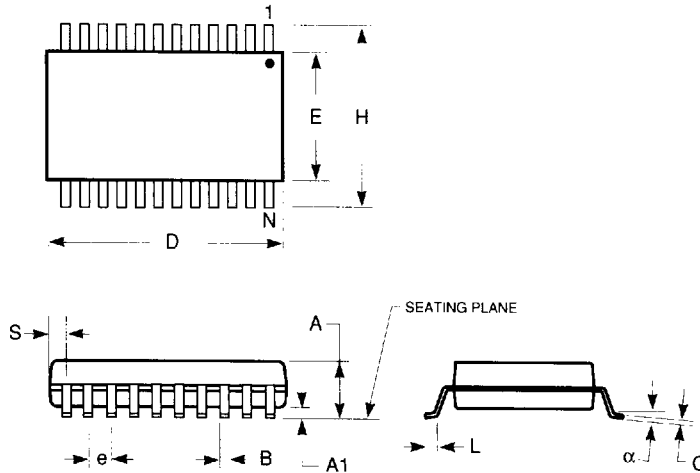
Notes:

1. Refer to applicable symbol list.
2. All dimensions are in inches.
3. N is the number of lead positions.
4. Dimensions D and E are to be measured at maximum material condition but do not include mold flash. Allowable mold flash is 0.006in. per side.
5. Lead coplanarity is 0.004in. maximum.

JEDEC#	MO-137AB			MO-137AD			MO-137AE			MO-137AF		
DWG#	PSS-16A			PSS-20A			PSS-24A			PSS-28A		
Symbol	Min	Nom	Max	Min	Nom	Max	Min	Nom	Max	Min	Nom	Max
A	0.060	0.064	0.068	0.060	0.064	0.068	0.060	0.064	0.068	0.060	0.064	0.068
A1	0.004	0.006	0.008	0.004	0.006	0.008	0.004	0.006	0.008	0.004	0.006	0.008
B	0.009	0.010	0.012	0.009	0.010	0.012	0.009	0.010	0.012	0.009	0.010	0.012
C	0.007	0.008	0.010	0.007	0.008	0.010	0.007	0.008	0.010	0.007	0.008	0.010
D	0.189	0.193	0.197	0.337	0.341	0.344	0.337	0.341	0.344	0.386	0.390	0.394
E	0.150	0.154	0.157	0.150	0.154	0.157	0.150	0.154	0.157	0.150	0.154	0.157
e	0.025 BSC			0.025 BSC			0.025 BSC			0.025 BSC		
H	0.230	0.236	0.244	0.230	0.236	0.244	0.230	0.236	0.244	0.230	0.236	0.244
h	0.010	0.013	0.016	0.010	0.013	0.016	0.010	0.013	0.016	0.010	0.013	0.016
L	0.016	0.025	0.035	0.016	0.025	0.035	0.016	0.025	0.035	0.016	0.025	0.035
N	16			20			24			28		
α	0°	5°	8°	0°	5°	8°	0°	5°	8°	0°	5°	8°
S	0.006	0.009	0.010	0.056	0.058	0.060	0.031	0.033	0.035	0.031	0.033	0.035

150-MIL HQSOP - Package Code H

Hermetic Quarter-Size Outline Package
Ceramic Small Outline Gull-Wing



JEDEC#	TBD			TBD		
DWG#	HSS-20A			HSS-24A		
Symbol	Min	Nom	Max	Min	Nom	Max
A	0.070	0.074	0.078	0.070	0.074	0.078
A1	0.008	0.012	0.016	0.008	0.012	0.016
B	0.009	0.010	0.012	0.009	0.010	0.012
C	0.007	0.008	0.010	0.007	0.008	0.010
D	0.337	0.342	0.350	0.337	0.342	0.350
E	0.150	0.155	0.158	0.150	0.155	0.158
e	0.025 BSC			0.025 BSC		
H	0.230	0.236	0.244	0.230	0.236	0.244
L	0.016	0.025	0.035	0.016	0.025	0.035
N	20			24		
α	0°	5°	8°	0°	5°	8°
S	0.056	0.058	0.062	0.031	0.033	0.037

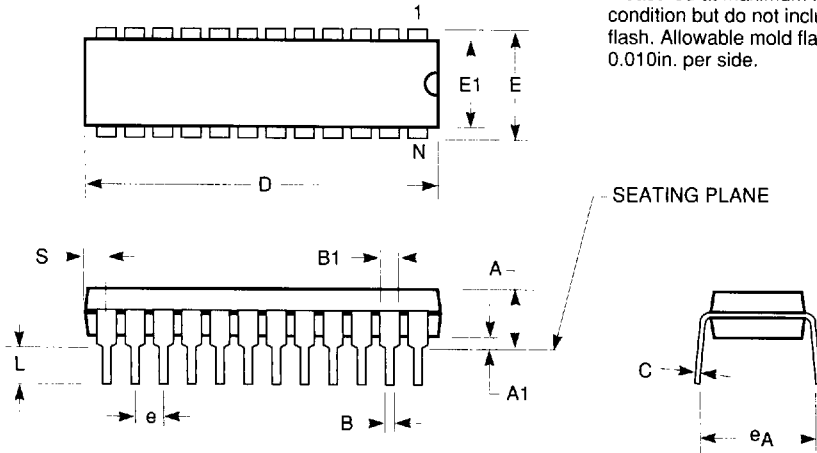
Notes:

1. Refer to applicable symbol list.
2. All dimensions are in inches.
3. N is the number of lead positions.
4. Dimensions D and E are to be measured at maximum material condition.
5. Lead coplanarity is 0.004in. maximum.

300-MIL PDIP - Package Code P
Plastic Dual In-line Package

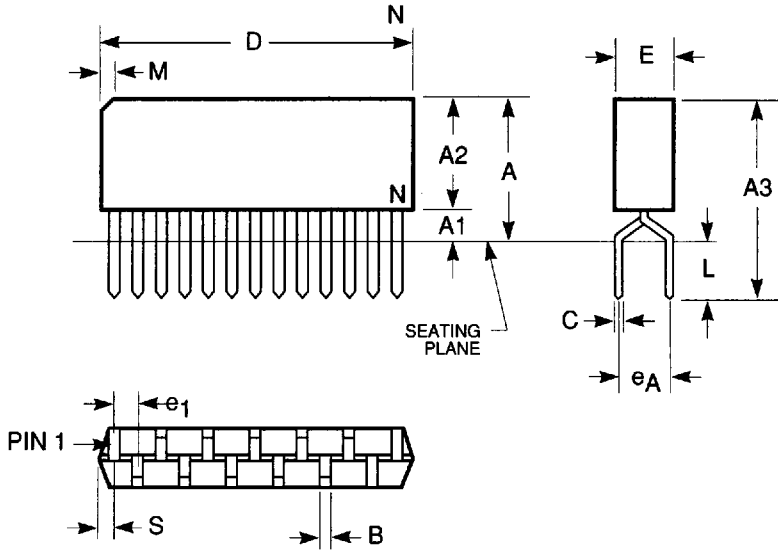
Notes:

1. Refer to applicable symbol list.
2. All dimensions are in inches.
3. N is the number of lead positions.
4. Dimensions D and E1 are to be measured at maximum material condition but do not include mold flash. Allowable mold flash is 0.010in. per side.



JEDEC#	MS-001AC		MS001AA		MS-001AE		N/A		MS-001AF		MO-095AH	
DWG#	PD14A		PD16A		PD20A		PT22B		PT24A		PT28A	
Symbol	Min	Max	Min	Max	Min	Max	Min	Max	Min	Max	Min	Max
A	0.130	0.170	0.130	0.170	0.130	0.170	0.130	0.170	0.130	0.170	0.130	0.180
A1	0.015	0.040	0.015	0.040	0.015	0.040	0.015	0.040	0.015	0.040	0.015	0.040
B	0.016	0.020	0.016	0.020	0.016	0.020	0.016	0.020	0.016	0.020	0.016	0.020
B1	0.045	0.070	0.045	0.070	0.045	0.070	0.045	0.070	0.045	0.070	0.045	0.060
C	0.009	0.012	0.009	0.012	0.009	0.012	0.009	0.012	0.009	0.012	0.009	0.012
D	0.745	0.765	0.745	0.765	1.020	1.040	1.020	1.040	1.150	1.260	1.345	1.385
E	0.300	0.325	0.300	0.325	0.300	0.325	0.300	0.325	0.300	0.325	0.300	0.325
E1	0.240	0.270	0.240	0.270	0.240	0.270	0.240	0.270	0.250	0.280	0.275	0.295
e	0.090	0.110	0.090	0.110	0.090	0.110	0.090	0.110	0.090	0.110	0.090	0.110
e_A	0.310	0.380	0.310	0.380	0.310	0.380	0.310	0.380	0.310	0.380	0.310	0.380
L	0.120	0.140	0.120	0.140	0.120	0.140	0.120	0.140	0.120	0.140	0.120	0.140
S	0.070	0.080	0.020	0.035	0.060	0.070	0.010	0.020	0.025	0.080	0.020	0.040
N	14		16		20		22		24		28	

300-MIL ZIP - Package Code Z
Zig-zag In-line Packages



JEDEC#	MO-072AB		MO-072AC		MO-072AD	
DWG#	PZ20A		PZ24A		PZ28A	
Symbol	Min	Max	Min	Max	Min	Max
A	0.350	0.400	0.350	0.400	0.350	0.400
A1	0.030	0.070	0.030	0.070	0.032	0.055
A2	0.280	0.340	0.320	0.350	0.335	0.345
A3	0.450	0.550	0.450	0.550	0.460	0.550
B	0.015	0.024	0.015	0.024	0.015	0.024
C	0.008	0.012	0.008	0.012	0.008	0.012
D	1.008	1.030	1.200	1.250	1.409	1.424
E	0.100	0.120	0.100	0.120	0.110	0.120
e1	0.050 BSC		0.050 BSC		0.050 BSC	
eA	0.100 BSC		0.100 BSC		0.100 BSC	
L	0.100	0.150	0.100	0.150	0.110	0.150
M	0.035	0.085	0.035	0.085	0.035	0.085
N	20		24		28	
S	0.018	0.032	0.018	0.032	0.025	0.038

Notes:

1. Refer to applicable symbol list.
2. All dimensions are in inches.
3. N is the number of lead positions.
4. Dimensions D and E are to be measured at maximum material condition but do not include mold flash. Allowable mold flash is 0.010in. per side.