

MATERIAL

Glass-fibre reinforced polyamide based (PA) technopolymer, black colour, matte finish.

STANDARD EXECUTIONS

Black-oxide steel boss, H9 reamed hole.

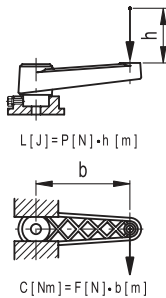
- **MT-AT**: with revolving handle I.621+x (see page 665) in technopolymer, not removable.
- **MT-AT+IR**: with fold-away handle IR.620 (see page 674) in technopolymer.

FEATURES AND APPLICATIONS

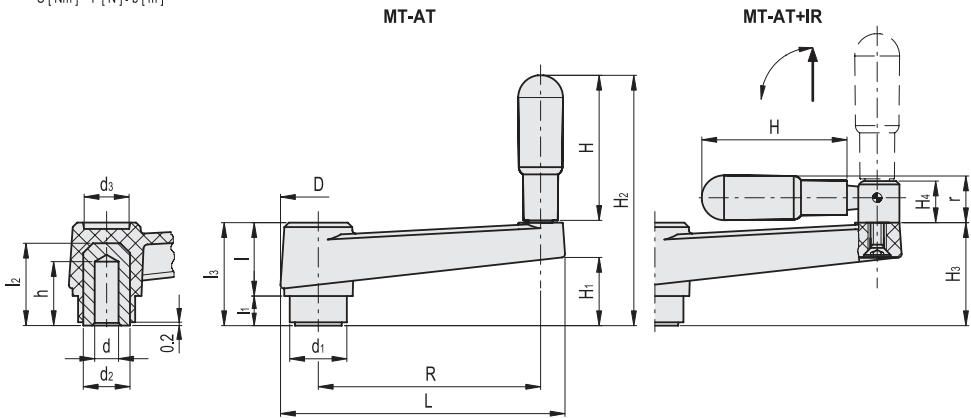
The reticular structure of the crank arm and the technopolymer used make this handle very strong and therefore suitable for transmitting high torque values.



ELESA Original design



Conversion Table	
1 mm = 0.039 inch	
R	
mm	inch
50	1.97
64	2.52
80	3.15
100	3.94
130	5.12
160	6.30



MT-AT

METRIC

Code	Description	R	dH9	L	D	d1	d2	d3	l	l1	l2	l3	h	H	H1	H2	C# [Nm]	L# [J]	⚖
44053	MT.50-AT	50	6	69	22.5	18	15	13	20.5	9	23	29.5	18	35	18.5	66	80	7	55
44113	MT.64-AT	64	8	86	26.5	20	15	16	22.5	9	25	31.5	20	45	17.5	78	120	11	82
44213	MT.80-AT	80	10	106	30	24	18	17	26	11	31	37	25	60	23.5	99	200	15	118
44313	MT.100-AT	100	12	128	33.5	24	18	21	30.5	10	31	40.5	24	65	25	106	210	27	190
44413	MT.130-AT	130	14	162	39	34	26	25	35	14	43	49	30	65	32.5	113	350	45	335
44513	MT.160-AT	160	16	197	44	34.5	26	27	39.5	15	43	54.5	30	80	36	136	470	55	375

MT-AT+IR

Code	Description	R	dH9	L	D	d1	d2	d3	l	l1	l2	l3	h	H	H1	H3	H4	r	C# [Nm]	L# [J]	⚖
44117	MT.64-AT+IR	64	8	86	26.5	20	15	16	22.5	9	25	31.5	20	45	17.5	31	14	16	120	11	89
44217	MT.80-AT+IR	80	10	106	30	24	18	17	26	11	31	37	25	60	23.5	37	14	16.5	200	15	130
44317	MT.100-AT+IR	100	12	128	33.5	24	18	21	30.5	10	31	40.5	24	65	25	39	18.5	20.5	210	27	200
44417	MT.130-AT+IR	130	14	162	39	34	26	25	35	14	43	49	30	65	34	49	18.5	20.5	350	45	330
44517	MT.160-AT+IR	160	16	197	44	34.5	26	27	39.5	15	43	54.5	30	80	36	54	18.5	22	470	55	370

For maximum torque (C) and impact strength (L) see Technical Data on page A-3 A-3.

