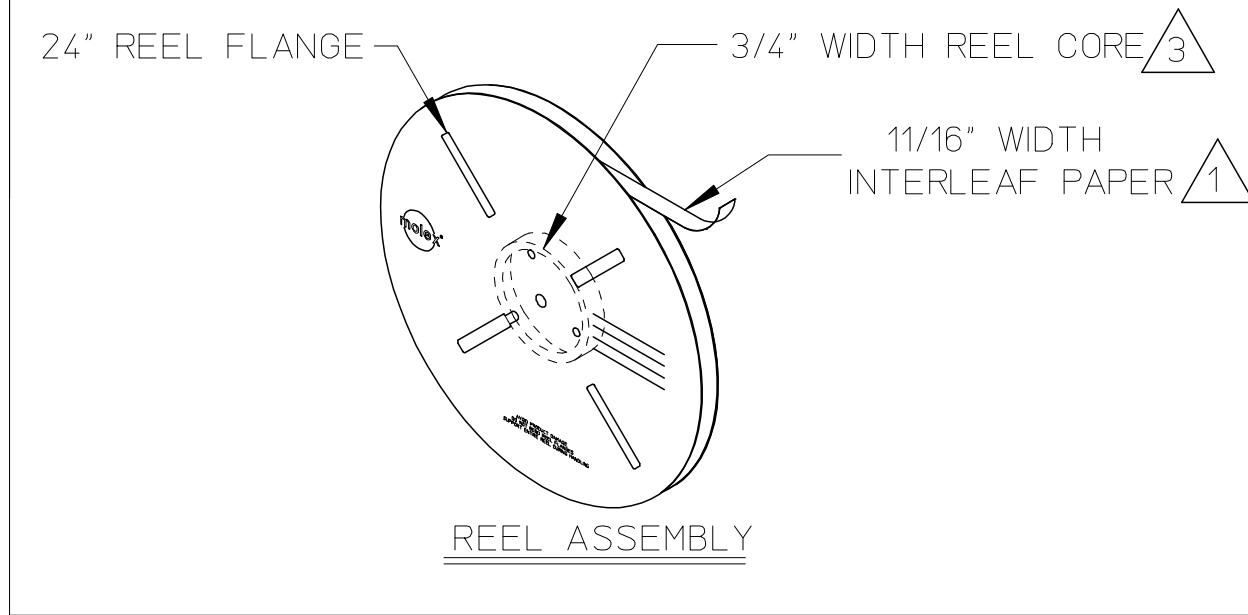
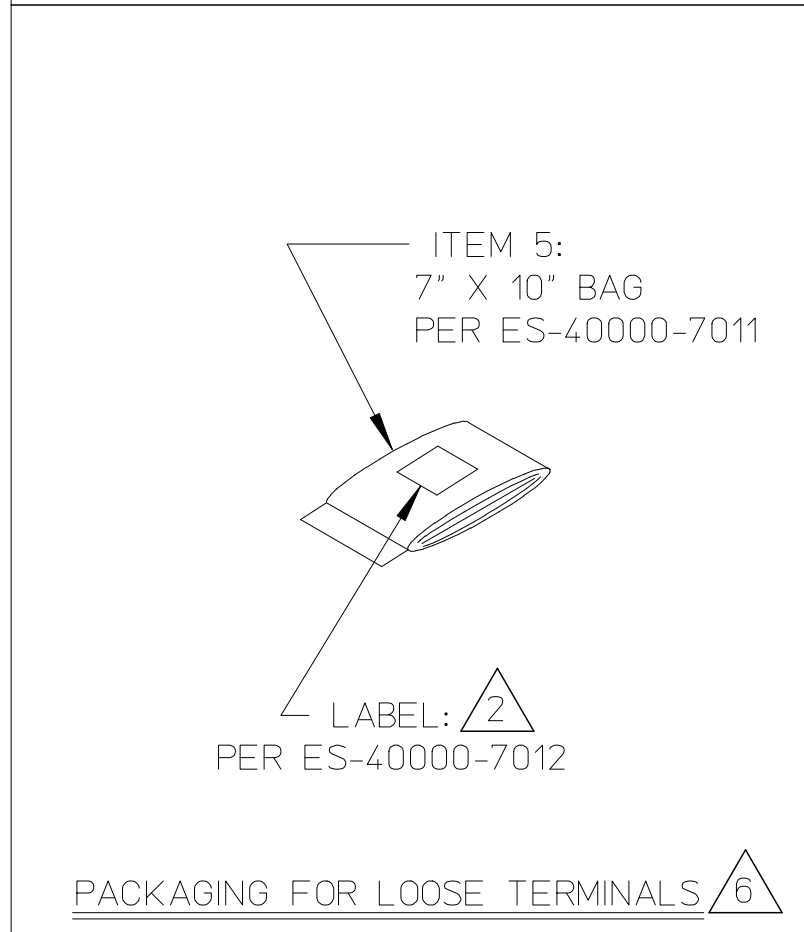
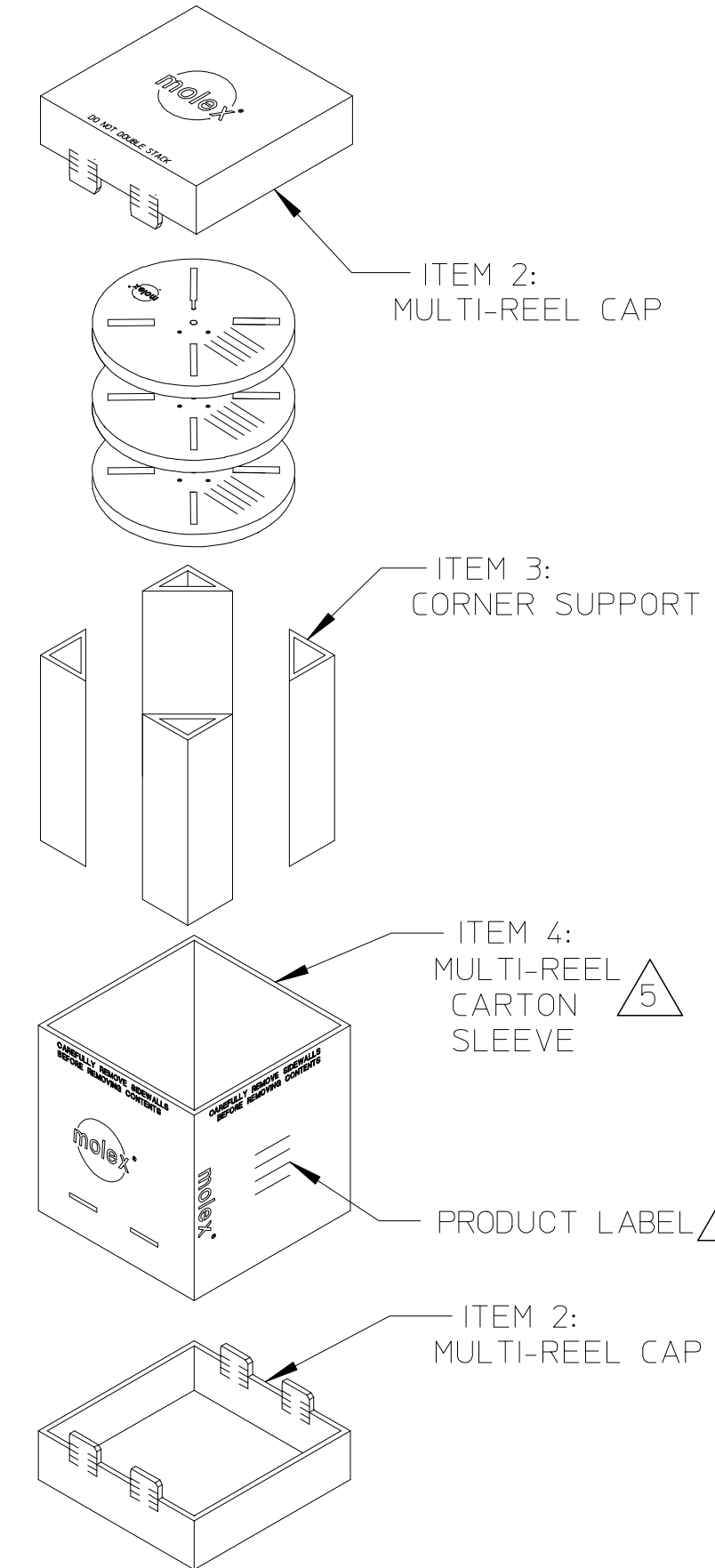
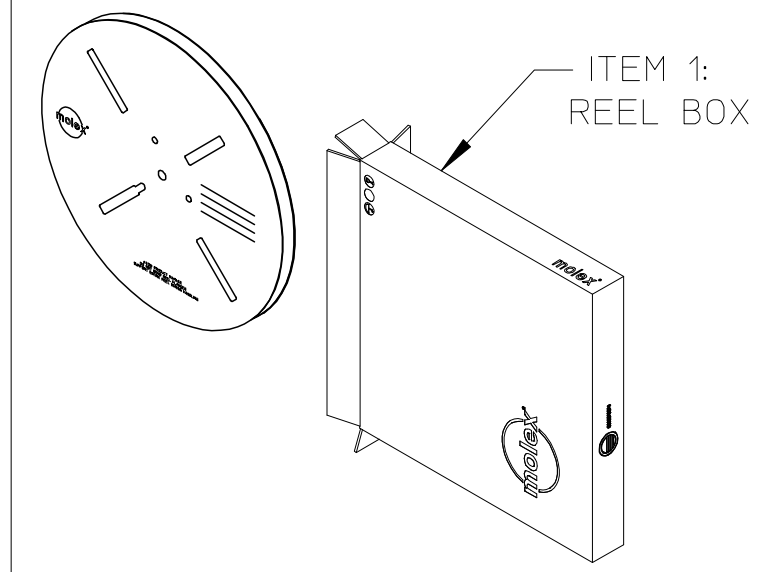
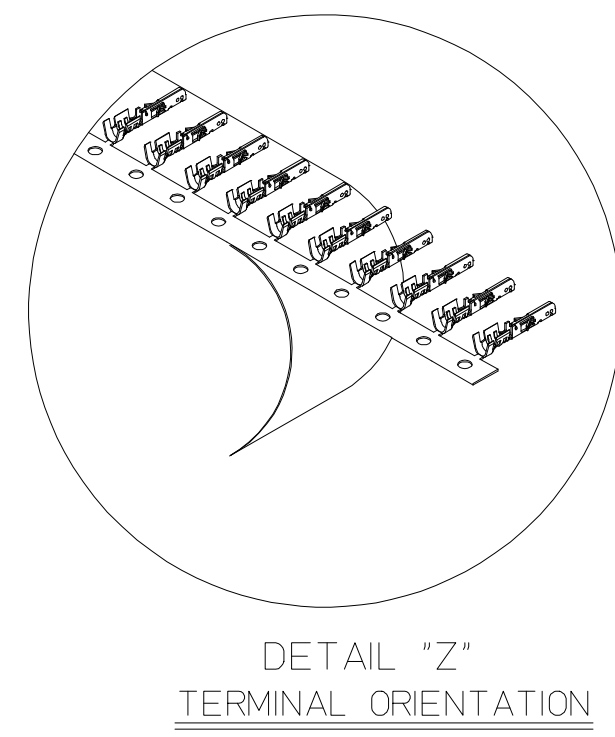
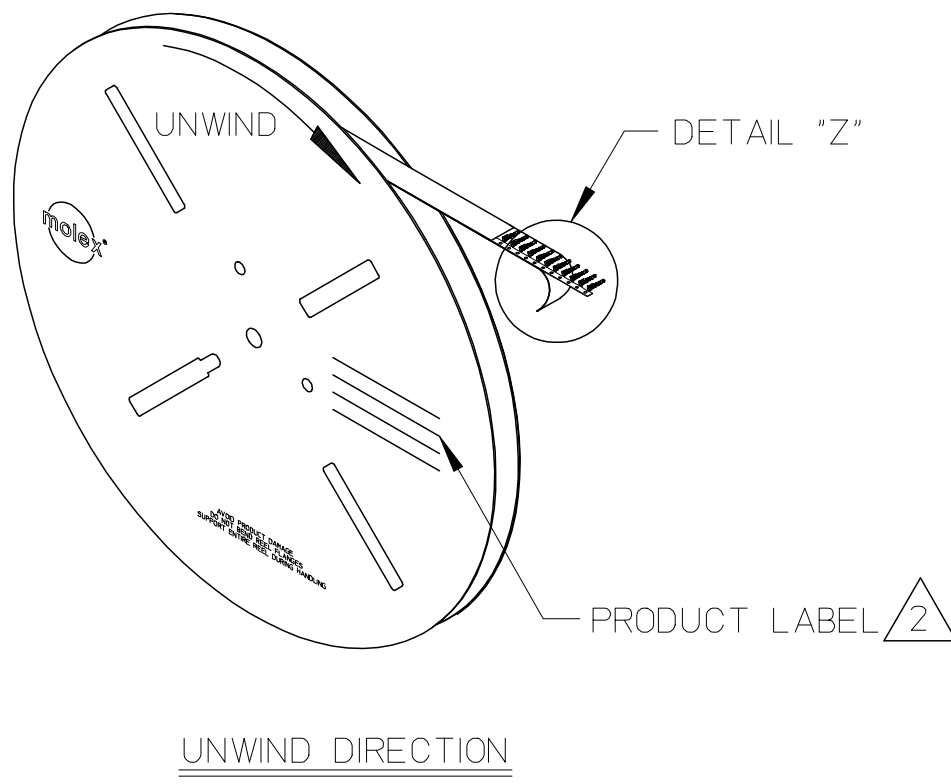


MATERIAL NUMBER	TERMINALS PER REEL	TERMINALS PER BAG (LOOSE)
45773-0001	12,000	N/A
45773-0002	12,000	N/A
45773-0003	12,000	N/A
45773-0004	12,000	N/A
45773-0005	12,000	N/A
45773-0006	12,000	N/A

REEL COMPONENT	MATERIAL NUMBER	QUANTITY
REEL CORE ³	30907-6481	1
REEL FLANGE	085-06-5024	2
INTERLEAF PAPER	70180-3106	SEE NOTE 1



REELS PER CARTON	ITEM NUMBER	PACKAGING COMPONENT	QUANTITY	MATERIAL NUMBER
1	1	1 REEL BOX	1	085-01-0015
2		2 REEL BOX	1	085-02-0024
3		3 REEL BOX	1	085-02-0003
4		4 REEL BOX	1	085-02-0010
28 ⁵	2	MULTI-REEL CAP	2	440-96-0003
	3	FULL CORNER SUPPORT	4	440-96-0002
	4	MULTI-REEL CARTON SLEEVE	1	440-96-0001
	5	7" X 10" POLY BAG	1	N/A



- NOTES:
- INTERLEAF PAPER SHOULD BE USED FOR THE ENTIRE REEL. (REF. ES-40000-7005)
 - PRODUCT LABEL TO BE ATTACHED AT THIS APPROXIMATE LOCATION.
 - REEL CORE IS CUT TO WIDTH AS INDICATED.
 - REELS MAY BE SHIPPED IN SLEEVE ASSEMBLY OR INDIVIDUAL REEL BOXES, DEPENDING ON THE QUANTITY OF THE WORK ORDER.
 - MULTI-REEL CARTON SLEEVE MAY BE CUT TO SIZE TO ACCOMMODATE LESS THAN FULL CARTON QUANTITIES.
 - BAGS OF LOOSE TERMINALS ARE SHIPPED IN BOXES. BOX SIZE IS DEPENDENT ON ORDER QUANTITY.

INITIAL RELEASE EC NO: UCP2007-1574 DRWN:MKIPPER 2007/01/15 CHKD:SSOUSEK 2007/01/18 APPR:FSMITH 2007/01/22	DESCRIPTION	QUALITY SYMBOLS ▽=0 ▽=0
--	-------------	-------------------------------

	GENERAL TOLERANCES (UNLESS SPECIFIED)	
	mm	INCH
4 PLACES	± ---	± ---
3 PLACES	± ---	± ---
2 PLACES	± ---	± ---
1 PLACE	± ---	± ---
ANGULAR ±1/2°		

DIMENSION STYLE	
IN/MM	
DRAWN BY	DATE
MKIPPER	2006/12/28
CHECKED BY	DATE
SSOUSEK	2006/12/28
APPROVED BY	DATE
FSMITH	2006/12/29
MATERIAL NO.	
N/A	

SCALE	DESIGN UNITS	THIRD ANGLE PROJECTION
---	INCH	☉
TITLE		
PACKAGING SPECIFICATION MICRO-FIT (3.0) FEMALE CRIMP TERMINAL		
molex MOLEX INCORPORATED		
DOCUMENT NO.	SHEET NO.	
PK-45773-001	1 OF 1	