

EVAL_AUDAMP24

IRS20957SPBF + IGT40R070D1 E8220 evaluation board

About this document



Scope and purpose

The EVAL_AUDAMP24 GaN e-mode High Electron Mobility Transistor (HEMT) evaluation board is a two-channel, 225 W/ch (4 Ω at ± 43 V) or 250 W/ch (8 Ω at ± 63 V) half-bridge class D audio power amplifier for Hi-Fi audio systems. This evaluation board demonstrates how to use the CoolGaN™ gallium nitride transistor, IRS20957S controller IC, implement protection circuits, and design an optimum PCB layout using the IGT40R070D1 E8220, CoolGaN™ gallium nitride transistor. The reference design provides all the required housekeeping power supplies for ease of use. The two-channel design is scalable for power and the number of channels.

Applications

- Hi-Fi amplifiers
- AV receivers
- Home theater systems
- Powered speakers
- Musical instrument amplifiers

Features

- Output power:
 - 225 W x 2 channels (1 percent THD+N, 4 Ω at ± 43 V)
 - 250 W x 2 channels (1 percent THD+N, 8 Ω at ± 63 V)
- Multiple protection features:
 - Over-Current Protection (OCP), high-side and low-side CoolGaN™ transistors
 - Over-Voltage Protection (OVP)
 - Under-Voltage Protection (UVP), high-side and low-side CoolGaN™ transistors
 - Over-Temperature Protection (OTP)
- PWM modulator:
 - Self-oscillating half-bridge topology with optional clock synchronization

Table of contents

About this document	1
Table of contents	1
1 Specifications	4
2 EVAL_AUDAMP24 overview	5
3 Setup guide	7
3.1 Typical connections	7
4 Connector description	8
5 Audio analyzer setup	9
6 Operating the evaluation board	10

Table of contents

6.1	Test setup	10
6.2	Power-up sequence.....	10
6.3	Audio functionality tests	10
6.4	External clock function	10
6.5	Power-down sequence	11
7	Audio performance.....	12
7.1	Power vs. THD+N	12
7.2	Frequency response	13
7.3	Noise floor.....	15
7.4	Noise floor with 1 V _{RMS} output	16
8	Functional descriptions	18
8.1	Class D operation	18
8.2	CoolGaN™ gallium nitride HEMT.....	18
8.3	Power supply	20
8.4	Bus pumping.....	20
8.5	Housekeeping power supply	21
8.6	Input.....	21
8.7	Output.....	21
8.8	Load impedance.....	21
8.9	Gain setting/volume control.....	21
8.10	Efficiency.....	22
8.11	Output filter design and preamplifier.....	23
8.11.1	Output filter.....	23
8.11.2	Preamplifier.....	23
8.12	Self-oscillating PWM modulator	23
8.13	Adjustments of self-oscillating frequency.....	23
8.14	Switches and indicators	24
8.15	Start-up and shutdown.....	24
8.16	Click and pop noise reduction	25
8.17	Start-up and shutdown sequencing.....	25
8.18	Selectable dead-time	27
8.19	Protection system overview	28
8.19.1	Over-Current Protection (OCP).....	28
8.19.1.1	Low-side current sensing.....	28
8.19.1.2	High-side current sensing.....	29
8.19.2	Over-Voltage Protection (OVP)	30
8.19.3	Under-Voltage Protection (UVP).....	30
8.19.4	Speaker DC-voltage Protection (DCP).....	30
8.19.5	Offset null (DC offset) adjustment.....	31
8.19.6	Over-Temperature Protection (OTP).....	31
8.20	Thermal information	31
8.20.1	Peak power duration thermal information.....	31
8.20.2	Thermal Interface Materials (TIMs).....	34
9	Schematic	35
10	PCB.....	40
10.1	PCB specification.....	40
10.2	PCB layout	41



Table of contents

11 Bill of Materials (BOM)44
Revision history.....53

Specifications

1 Specifications

Table 1 General test conditions

Condition		Notes/conditions
Supply voltages	$\pm 38\text{ V} \sim \pm 75\text{ V}$	Bipolar power supply
Rated load impedance	4 to 8 Ω	Resistive load
Self-oscillating frequency	500 kHz	No input signal, adjustable
Voltage gain	33 dB	

Table 2 Electrical data

Data	Typical	Notes/conditions
Infineon devices	IRS20957SPBF integrated class D IC IGT40R070D1 E8220 CoolGaN™ HEMTs	
Modulator	Self-oscillating, second-order sigma-delta modulation, analog input	
Output power CH1 to 2: (1 percent THD+N)	225 W	1 kHz, RL = 4 Ω
	250 W	1 kHz, RL = 8 Ω
Output power CH1 to 2: (10 percent THD+N)	280 W	1 kHz, RL = 4 Ω
	310 W	1 kHz, RL = 8 Ω
Rated load impedance	4 to 8 Ω	Resistive load
Idling supply current	$\pm 67\text{ mA}$	No input signal $\pm 43\text{ V}$
	$\pm 85\text{ mA}$	No input signal $\pm 63\text{ V}$
Channel efficiency	96 percent	Single-channel driven, 250 W, class D stage

Table 3 Audio performance

Audio performance	Volume control bypassed	Class D output	Notes/conditions
Signal-to-noise Ratio(SNR)	118 dB	107 dB	Filter: A-weighting(12017), 20 kHz SPCL
Residual noise	67 μV	101 μV	Filter: A-weighting(12017), 20 kHz SPCL

2 EVAL_AUDAMP24 overview

The EVAL_AUDAMP24 features a two-channels self-oscillating type PWM modulator for the lowest component count, highest performance and robust design. This topology represents an analog version of a second-order sigma-delta modulation, having a class D switching stage inside the loop. The benefit of the sigma-delta modulation, in comparison to the carrier-signal based modulation, is that all the error in the audible frequency range is shifted to the inaudible upper-frequency range by nature of its operation. Also, sigma-delta modulation enables the designer to apply sufficient error correction.



Figure 1 EVAL_AUDAMP24

The EVAL_AUDAMP24 self-oscillating topology consists of the following essential functional blocks:

- Front-end integrator
- PWM comparator
- Level shifters
- Gate drivers and CoolGaN™ HEMTs
- Output LPF

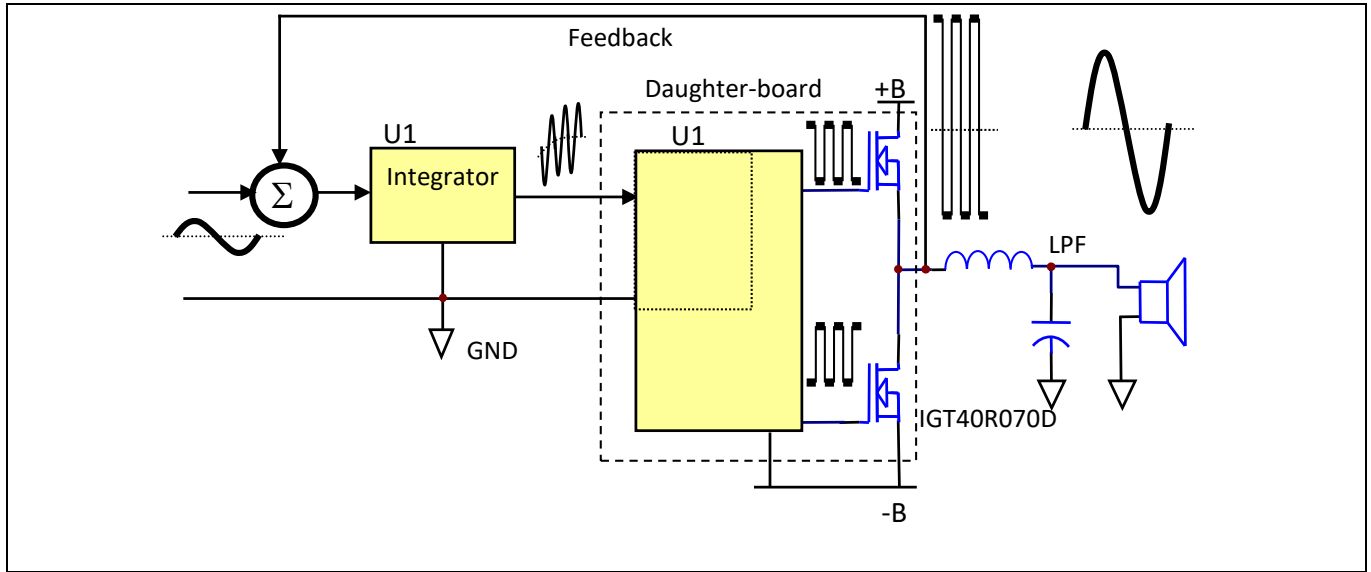


Figure 2 Simplified block diagram of class D amplifier

Setup guide

3 Setup guide

3.1 Typical connections

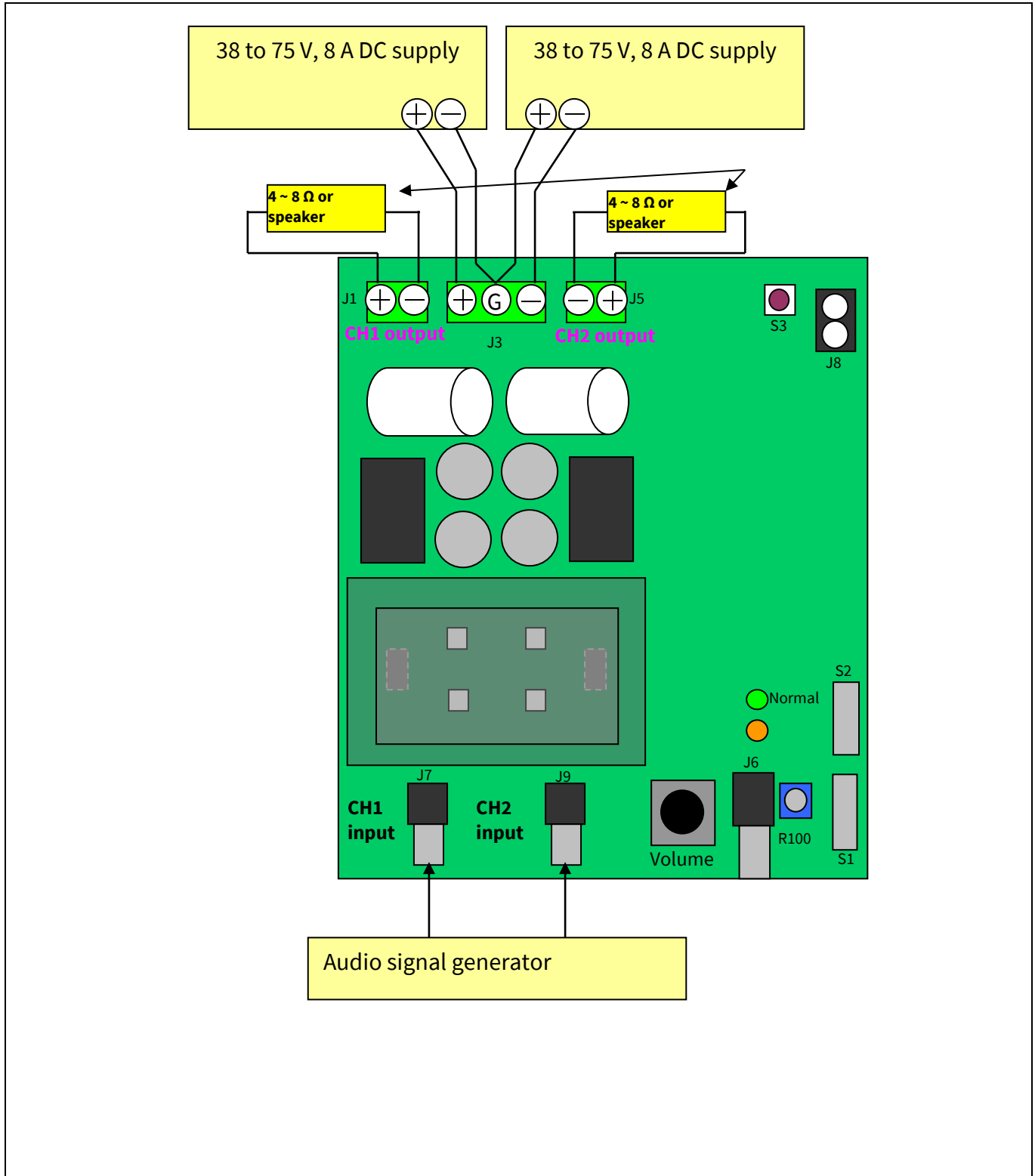


Figure 3 Typical connections

Connector description**4 Connector description****Table 4 Connector description**

CH1 IN	J7	Analog input for CH1
CH2 IN	J9	Analog input for CH2
POWER	J3	Positive and negative supply (+B/-B)
CH1 OUT	J1	Output for CH1
CH2 OUT	J5	Output for CH2
EXT CLK	J6	External clock sync
DCP OUT	J8	DC protection relay output

5 Audio analyzer setup

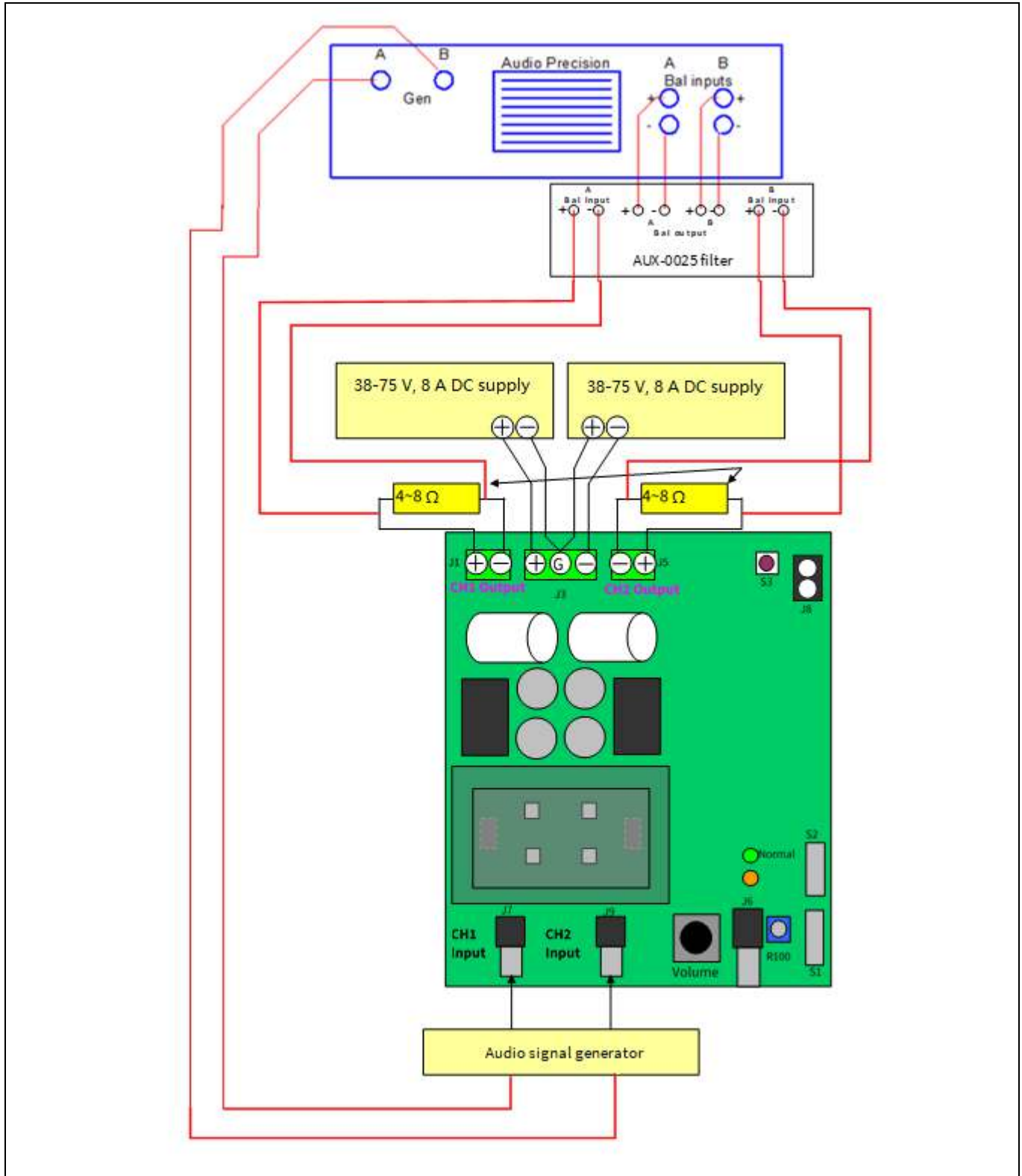


Figure 4 Audio analyzer connection

6 Operating the evaluation board

6.1 Test setup

1. Connect 4 or 8 Ω 250 W dummy loads to output connectors (J1 and J5 as shown in [Figure 3](#)) and parallel it with input of the Audio Precision (AP) analyzer.
2. Connect the Audio Signal Generator (ASG) to J7 and J9 for CH1 and CH2 respectively (AP).
3. Set up the dual power supply with voltages of ± 43 V or ± 63 V; set current limit to 8 A.
4. Turn-off the dual power supply before connecting to “on” of the Unit Under Test (UUT).
5. Set switch S1 to the middle position (self-oscillating).
6. Set volume level knob R130 fully counter-clockwise (minimum volume).
7. Connect the dual power supply to J3, as shown on [Figure 3](#) or [Figure 4](#).

6.2 Power-up sequence

8. Turn-on the dual power supply. The $\pm B$ supplies must be applied and removed at the same time.
9. Red LED (protection) should turn-on almost immediately and turn-off after about 3 s.
10. Green LED (normal) then turns on after the red LED is extinguished and should stay on.
11. Quiescent current for the positive supply should be 67 mA \pm 10 mA at ± 43 V, 84 mA \pm 10 mA at ± 63 V.
12. Quiescent current for the negative supply should be 62 mA \pm 10 mA at ± 43 V, 74 mA \pm 10 mA at ± 63 V.
13. Push S3 switch (trip and reset push-button) to restart the sequence of LED indicators, which should be the same as noted above in steps 9 to 10.

6.3 Audio functionality tests

1. With AP no filter (more than 500 kHz), monitor the channel's switching frequency on the AP's analog analyzer.
2. Set S1 to “self” (self-oscillating) position.
3. Adjust R49 and R74 on the board to change the self-oscillating frequency to 500 kHz \pm 15 kHz.
4. Set the AP's analog analyzer to 20 kHz AES17 filter.
5. Connect the audio signal from the AP to J7 and J9.
6. Apply 1 V_{RMS} at 1 kHz sinusoidal signal from the ASG.
7. Turn control volume up (R130 clockwise) to obtain an output reading of 225 W (4 Ω load) or 250 W (8 Ω load).
8. Sweep the audio signal voltage from 15 mV_{RMS} to 1.5 V_{RMS}.
9. Run the AP test as shown in Figures 5 to 13, below.

6.4 External clock function

1. With AP no filter (more than 500 kHz), monitor the channel's switching frequency on the AP's analog analyzer.
2. Set S1 to “self” (self-oscillating) position.
3. Adjust R49 and R74 on the board to change self-oscillating frequency to 20 to 30 percent higher than the desired external clock.
4. Set S1 to “Ext” (external clock) position in order to enable the onboard clock oscillator.
5. Connect the external clock signal generator output to J6.
6. Set the AP's analog analyzer to 20 kHz AES17 filter
7. Connect the audio signal from the AP to J7 and J9.
8. Sweep the audio signal voltage from 15 mV_{RMS} to 1.5 V_{RMS}.

6.5 Power-down sequence

14. Turn-off \pm power supply at the same time.
15. All LEDs turn-off when housekeeping power supplies are off.

Audio performance

7 Audio performance

7.1 Power vs. THD+N

Test conditions:

$V_{bus} = \pm 43\text{ V}$

Input signal = 1 kHz

Load impedance = $4\ \Omega$

$F_{PWM} = 500\text{ kHz}$

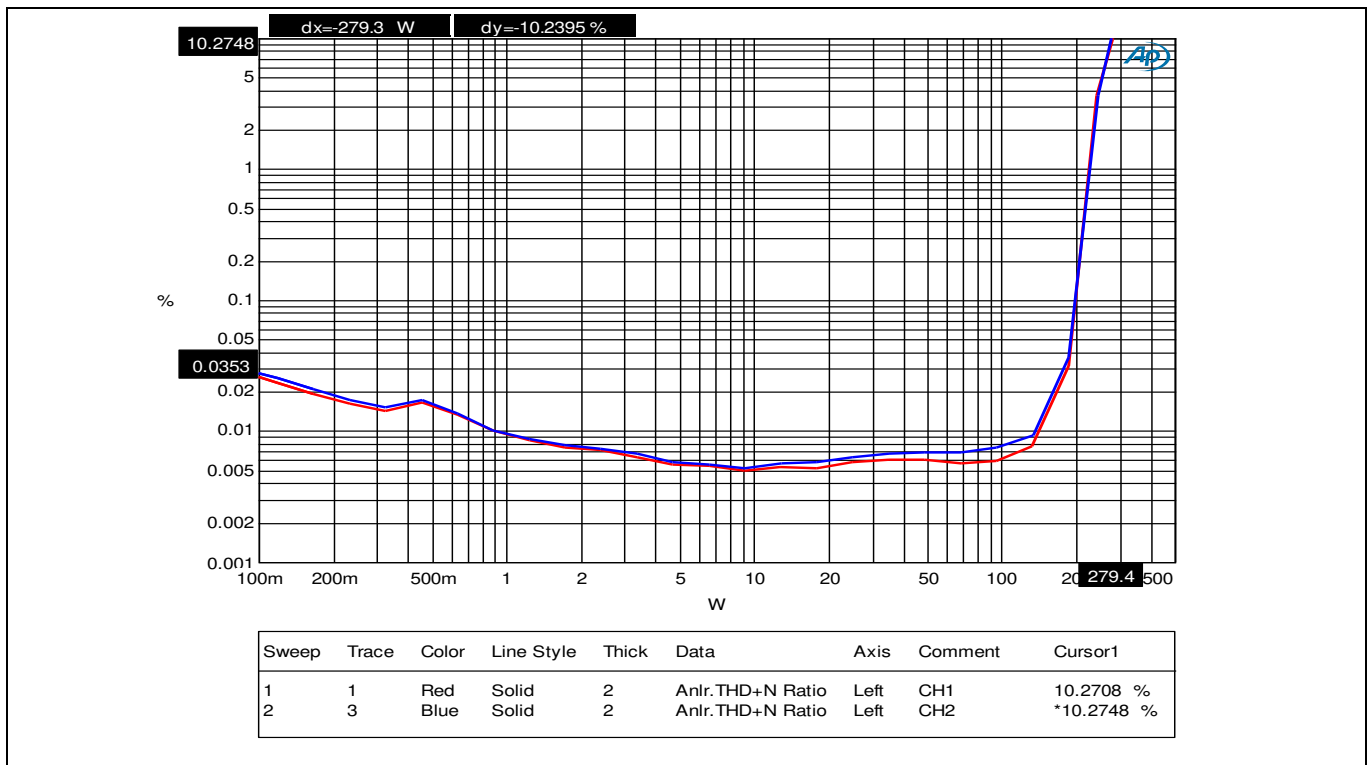


Figure 5 Power vs. THD+N 4 Ω load

Audio performance

Test conditions:

$V_{bus} = \pm 63\text{ V}$

Input signal = 1 kHz

Load impedance = 8 Ω

$F_{PWM} = 500\text{ kHz}$

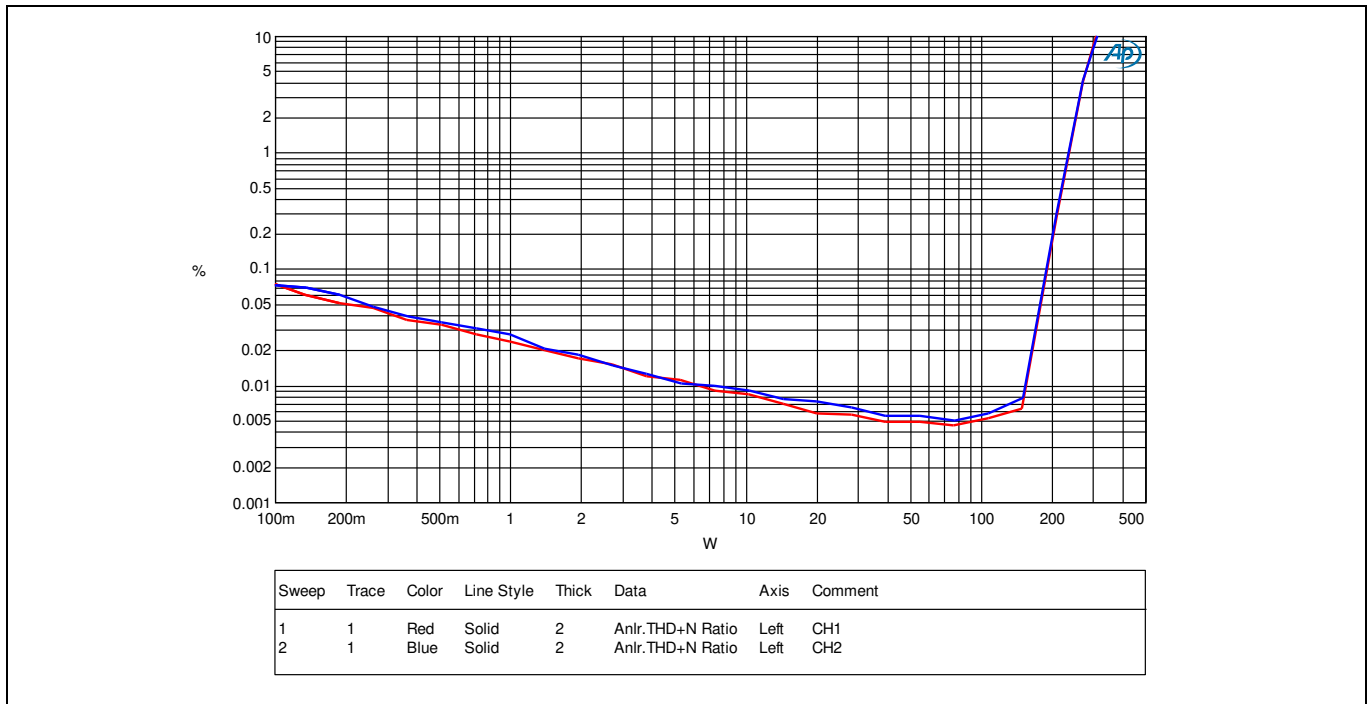


Figure 6 Power vs. THD+N 8 Ω load

7.2 Frequency response

Test conditions:

$V_{bus} = \pm 43\text{ V}$

Output power = 1 W

Load impedance = 4 Ω

$F_{PWM} = 500\text{ kHz}$

Audio performance

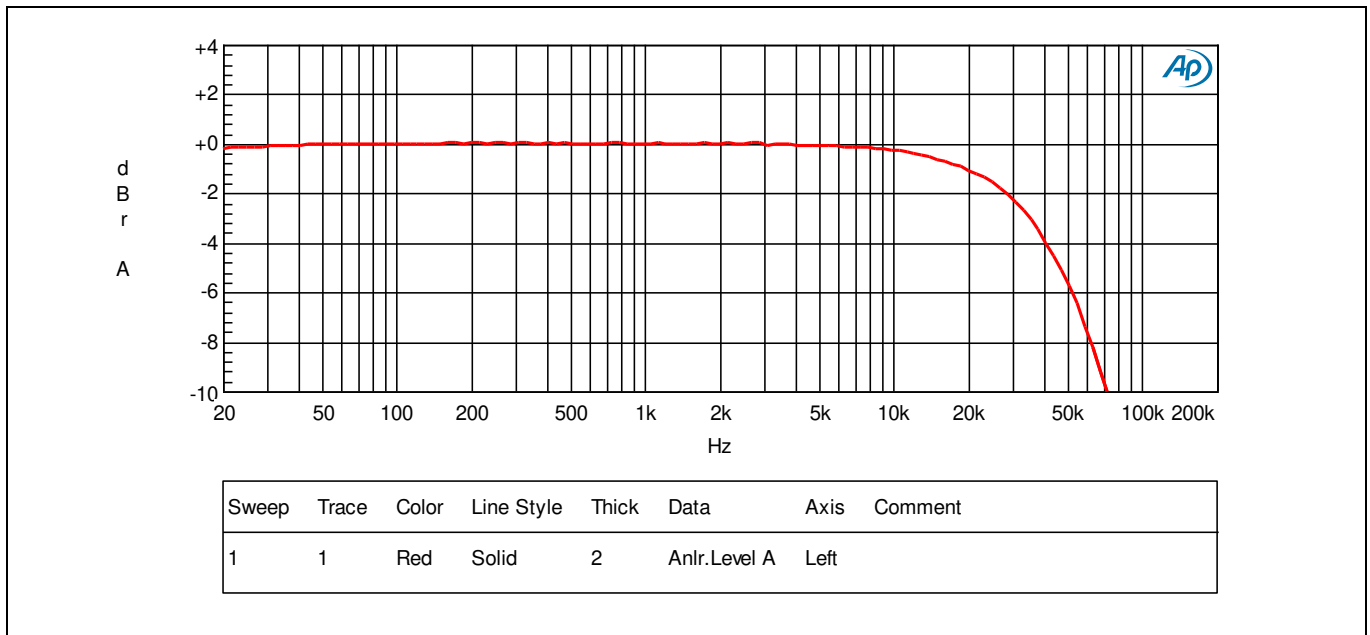


Figure 7 Frequency response 4 Ω load

Test conditions:

$V_{bus} = \pm 63\text{ V}$

Output power = 1 W

Load impedance = 8 Ω

$F_{PWM} = 500\text{ kHz}$

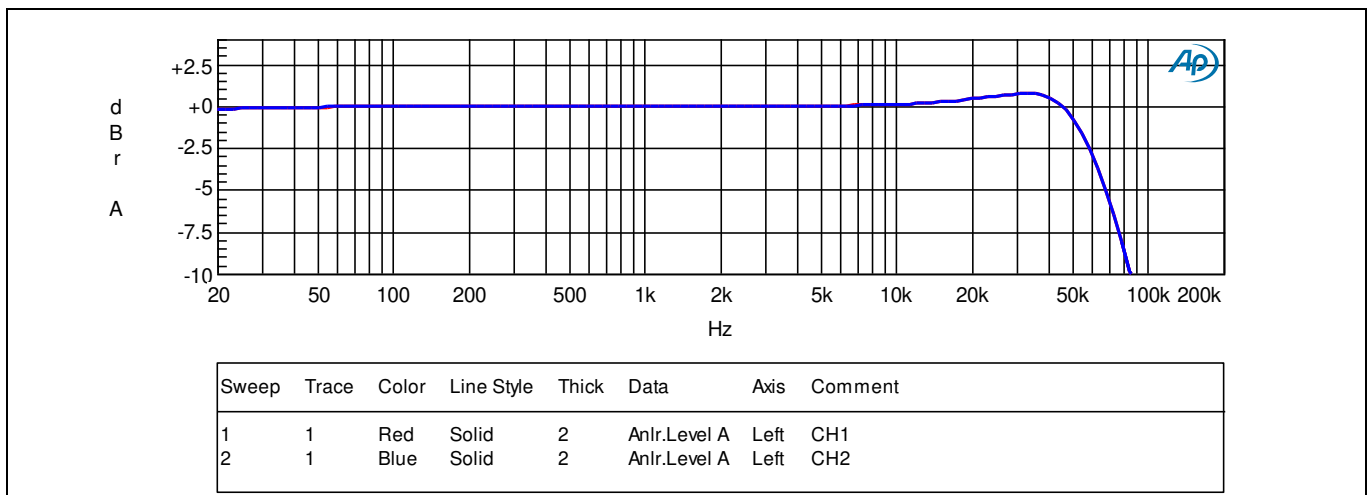


Figure 8 Frequency response 8 Ω load

EVAL_AUDAMP24

IRS20957SPBF + IGT40R070D1 E8220 evaluation board

Audio performance

7.3 Noise floor

Test conditions:

$V_{bus} = \pm 43\text{ V}$

No input signal

Load impedance = $4\ \Omega$

$F_{PWM} = 500\text{ kHz}$

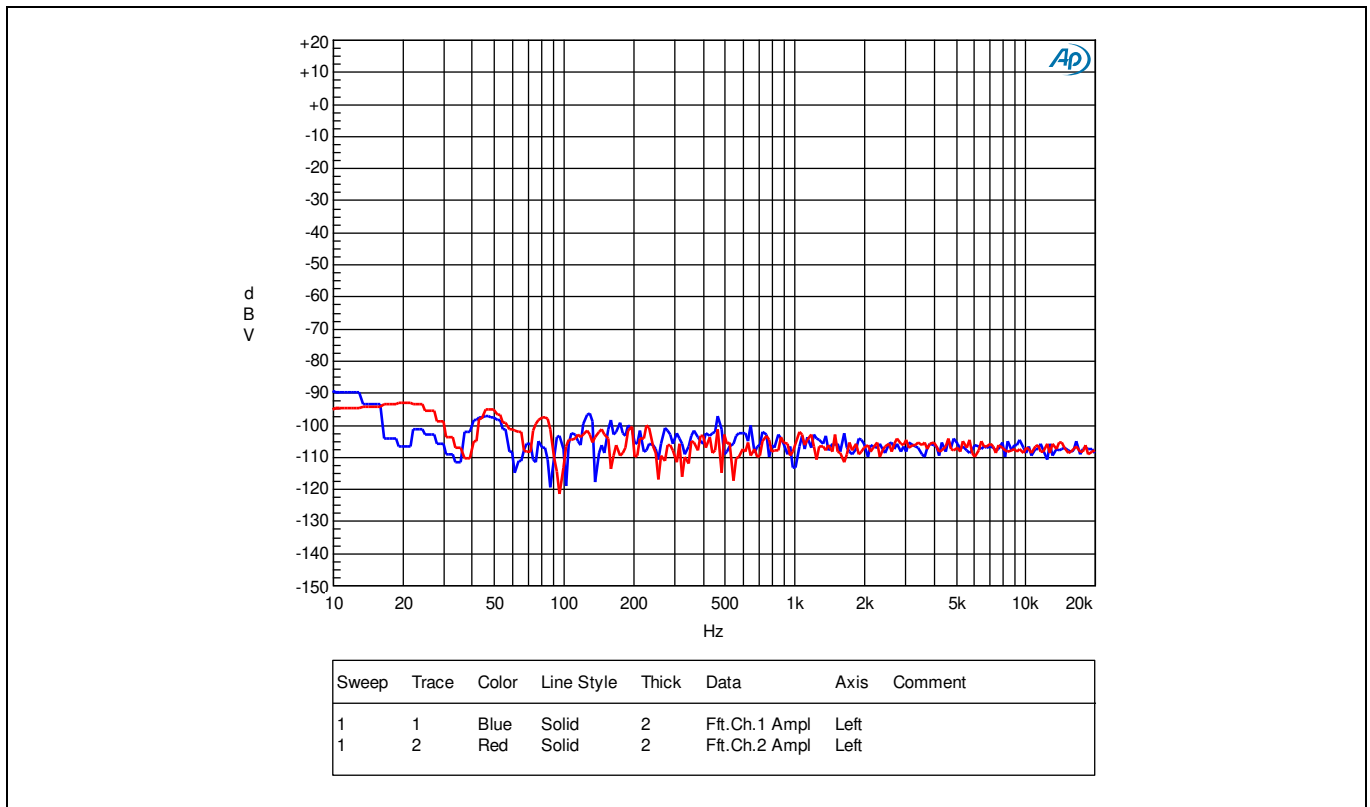


Figure 9 Noise floor $4\ \Omega$ load

Test conditions:

$V_{bus} = \pm 63\text{ V}$

No input signal

Load impedance = $8\ \Omega$

$F_{PWM} = 500\text{ kHz}$

Audio performance

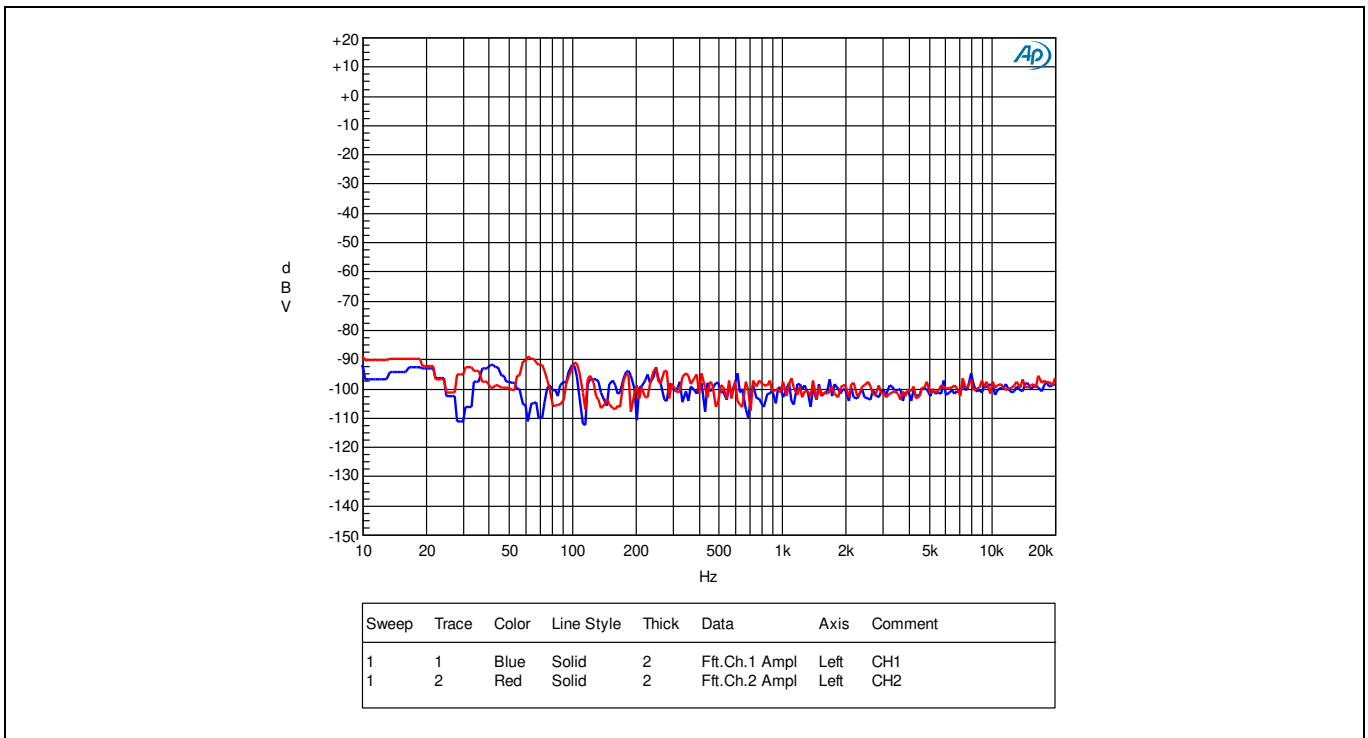


Figure 10 Noise floor 8 Ω load

7.4 Noise floor with 1 V_{RMS} output

Test conditions:

$V_{bus} = \pm 43 V$

Output = 1 V_{RMS} at 1 kHz

Load impedance = 4 Ω

$F_{PWM} = 500 kHz$

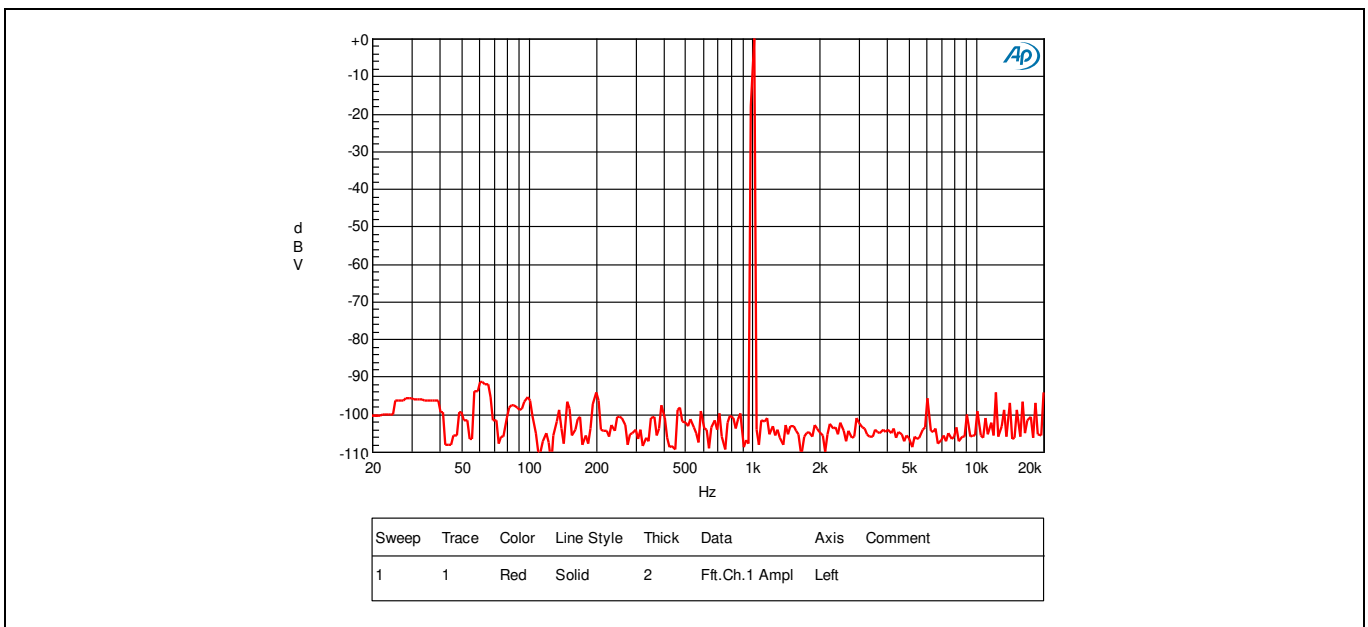


Figure 11 Noise floor with 1 V_{RMS} output 4 Ω load

EVAL_AUDAMP24

IRS20957SPBF + IGT40R070D1 E8220 evaluation board

Audio performance

Test conditions:

$$V_{bus} = \pm 63 \text{ V}$$

$$\text{Output} = 1 \text{ V}_{RMS} \text{ at } 1 \text{ kHz}$$

$$\text{Load impedance} = 8 \Omega$$

$$F_{PWM} = 500 \text{ kHz}$$

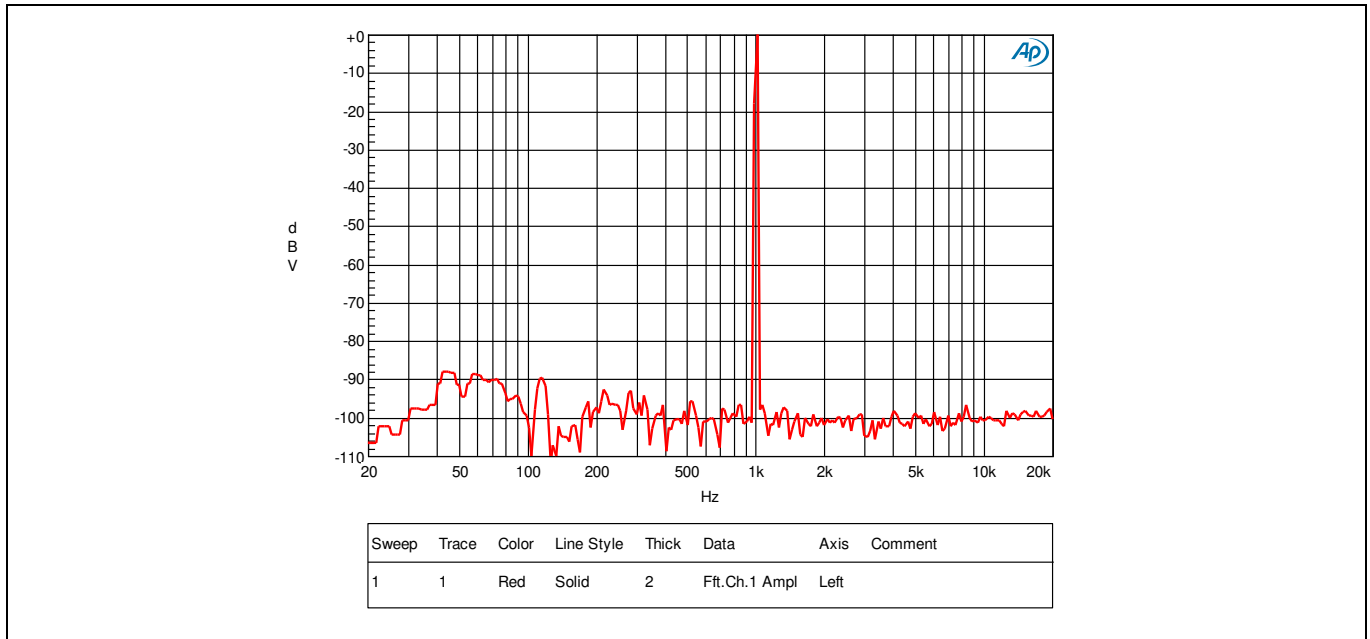


Figure 12 Noise floor with 1 V_{RMS} output 8 Ω load

8 Functional descriptions

8.1 Class D operation

Referring to CH1 as an example, the op-amp U6 forms a front-end second-order integrator with C38, C42 and R50 + R49P. This integrator receives a rectangular feedback waveform from the class D switching stage and outputs a quadratic oscillatory waveform as a carrier signal. To create the modulated PWM signal, the input signal shifts the average value of this quadratic waveform (through gain relationship between R40, R154 and R38 + R39) so that the duty varies according to the instantaneous value of the analog input signal. The IRS20957SPBF input comparator processes the signal to create the required PWM signal. This PWM signal is internally level-shifted down to the negative supply rail where this signal is split into two signals, with opposite polarity and added dead-time, for high-side and low-side CoolGaN™ HEMT gate signals, respectively. The IRS20957SPBF drives two IGT40R070D1 E8220 CoolGaN™ HEMTs in the power stage to provide the amplified PWM waveform. The amplified analog output is re-created by demodulating the amplified PWM. This is done by means of the LC Low-Pass Filter (LPF) formed by L4 and C34, which filters out the class D switching carrier signal.

8.2 CoolGaN™ gallium nitride HEMT

A gallium nitride (GaN) transistor is one of the HEMTs that enables superior performance, far exceeding the silicon MOSFET with its very low on-resistance, very high speed and clean switching capabilities.

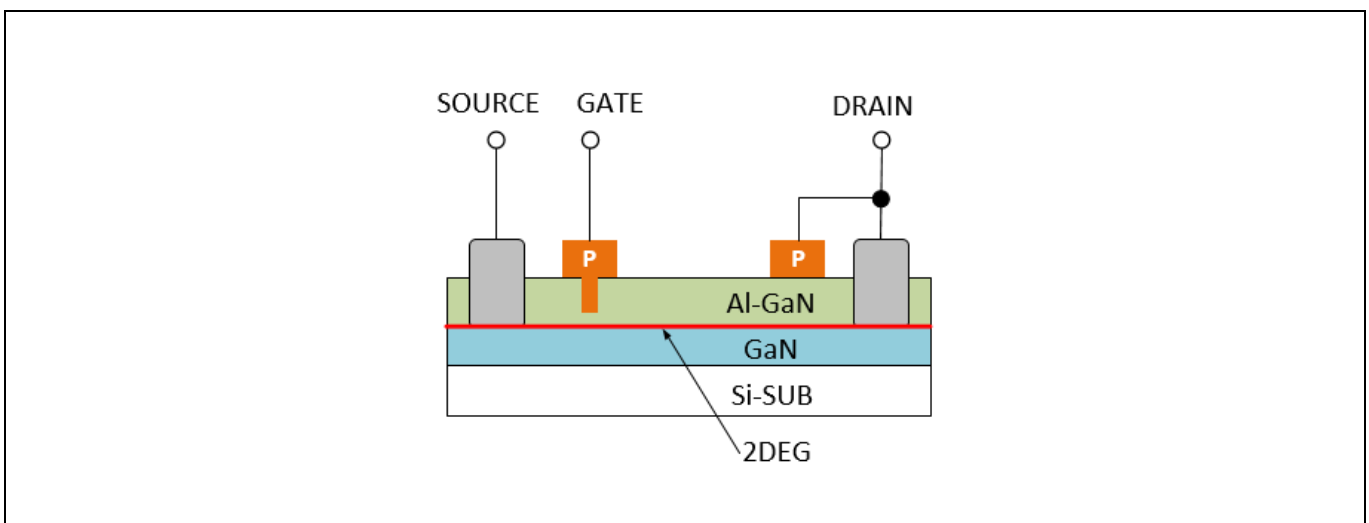


Figure 13 Internal structure of Infineon's CoolGaN™

The basic structure of a GaN FET is similar to a silicon MOSFET, with gate, source and drain terminals. The heart of the GaN switch is a lateral two-dimensional electron gas (2DEG) layer formed in the GaN layer. The 2DEG is a pool of free electrons formed by the hetero junction between Al-GaN and GaN, making a short-circuit between the source and drain in very low resistance. Adding a p-GaN gate on top of the Al-GaN layer makes the adjacent 2DEG depleted so the drain and source are not conducting with no gate bias applied ($V_{GS} = 0$ V). This enhancement mode gate works similarly to conventional silicon MOSFETs. When a positive bias voltage is applied to the gate, the depletion disappears and the 2DEG forms a low-resistance conducting channel.

The reverse conduction mode from source to drain is very necessary in a class D amplifier during blanking time so that the switching output voltage is kept within the power supply rails. The GaN switch is a bi-directional device in nature, so it realizes reverse current as one of the on-states. When the drain voltage becomes lower than the source, the drain starts acting as a source and turns on the device, allowing reverse current to flow. A silicon MOSFET is a uni-directional switch accompanied by an intrinsic PN junction body diode that provides a reverse current from source to drain when the device is off.

Functional descriptions

The absence of a body diode in the GaN FET is a notable feature because it eliminates the major source of switching noise previously caused by the PN junction body diode, and therefore the GaN FET realizes much cleaner switching even at high-voltage, high-current, high-speed switching operations.

A class D amplifier demands lower $R_{DS(ON)}$ and faster and cleaner switching transitions for higher power ratings that are transitional performance trade-offs in Si MOSFETs. Therefore, a class D amplifier can greatly benefit from a GaN-based FET.

Figure 14 is the class D switching stage using a GaN FET, Infineon IGT40R070D1 E8220. Using a GaN FET takes a different gate-drive scheme. A silicon MOSFET receives 0 V or 10 V gate voltage with respect to the source to turn the switch off and on. The gate injection type GaN transistor, such as Infineon’s CoolGaN™, is controlled in a similar fashion but with different gate-drive voltage and some sustaining DC gate current. In this design example, an interfacing circuit (R25, R26, R29, C12 and D6 in the low-side gate drive and identical for the high-side) is inserted in the gate of the GaN FET. The output from the interface circuit swings between -1 V and +3 V instead of 0 V and 10 V from the IRS20957SPBF class D controller IC.

One unique requirement of the CoolGaN™ gate drive besides lower threshold voltage is that it requires a small amount of DC gate current to sustain the on-state. The R25 in the schematic provides the DC bias current path. R26 and C12 induce charge and discharge current to turn the device on and off. The diode between gate and source, D6, limits negative gate voltage at -1 V so the body diode equivalent action maintains drop voltage from source to drain. With this gate interface circuit, a gate-driver IC originally designed for a MOSFET can work with a GaN transistor, including V_{DS} based short-circuit protection.

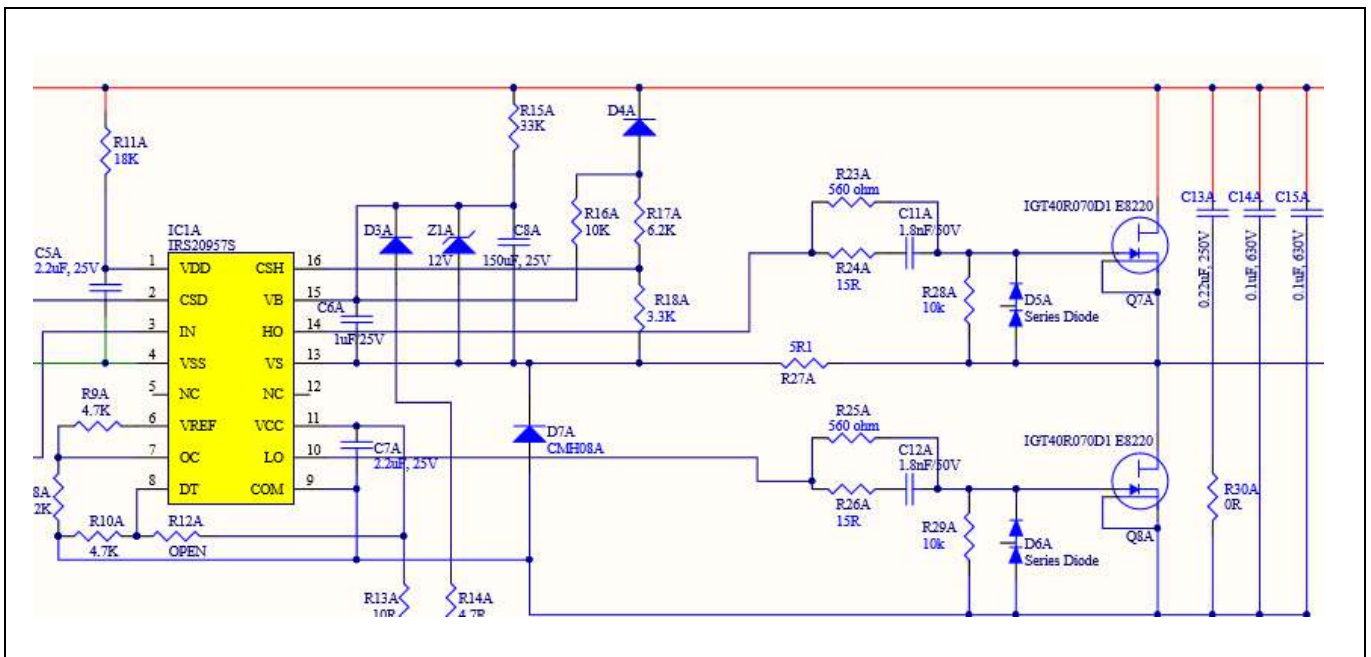


Figure 14 CoolGaN™ gate-drive interface circuit

Functional descriptions

8.3 Power supply

The EVAL_AUDAMP24 has all the necessary housekeeping power supplies onboard, and only requires a pair of symmetrical power supplies ranging from $\pm 38\text{ V}$ to $\pm 82\text{ V}$ (+B, GND, -B) for operation. The internally generated housekeeping power supplies include a $\pm 5\text{ V}$ supply for analog signal processing (preamp, etc.), while a $+12\text{ V}$ supply (V_{CC}), referenced to $-B$, is included to supply the class D gate-driver stage.

For the externally applied power, a regulated power supply is preferable for performance measurements, but not always necessary. The bus capacitors, C45 ~ C48 on the motherboard, along with high-frequency bypass-capacitors C19 ~ C26 on the daughter board, address the high-frequency ripple current that results from switching action. In designs involving unregulated power supplies, the designer should place a set of bus capacitors, with enough capacitance to handle the audio-ripple current, externally. Overall regulation and output voltage ripple for the power supply design are not critical when using the EVAL_AUDAMP24 class D amplifier as the Power Supply Rejection Ratio (PSRR) of the EVAL_AUDAMP24 is excellent ([Figure 15](#)).

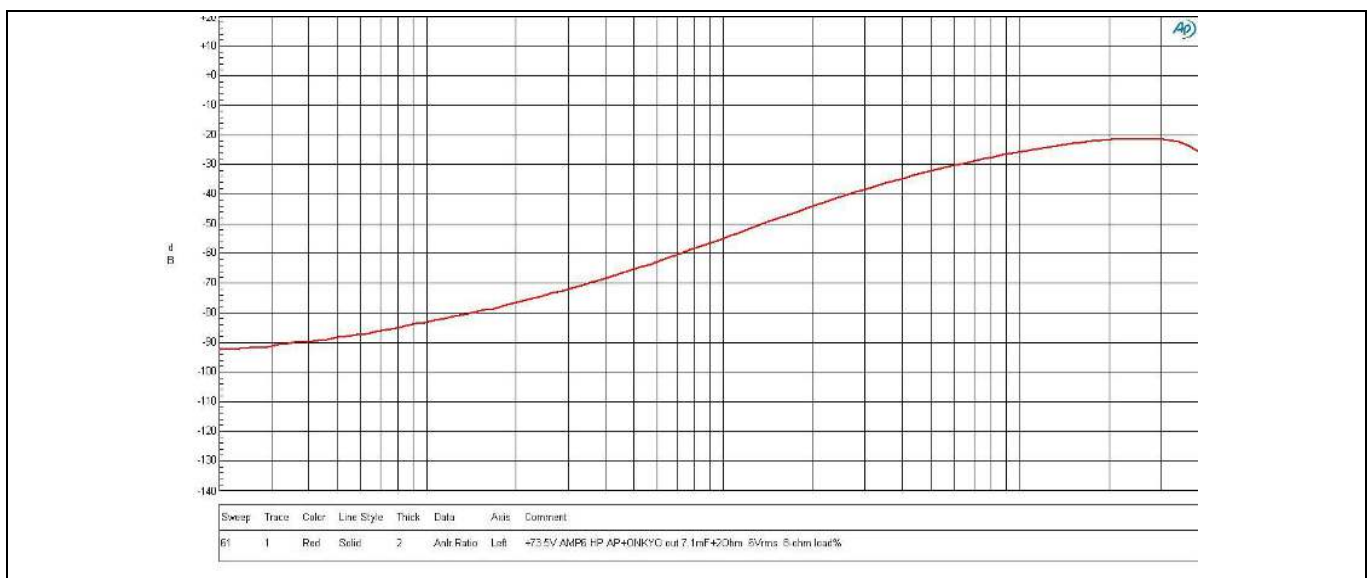


Figure 15 AMP24 PSRR

8.4 Bus pumping

Since the EVAL_AUDAMP24 is a half-bridge configuration, bus pumping does occur. Under normal operation during the first half of the cycle, energy flows from one supply through the load and into the other supply, thus causing a voltage imbalance by pumping up the bus voltage of the receiving power supply. In the second half of the cycle, this condition is reversed, resulting in bus pumping of the other supply.

The following conditions worsen bus pumping:

- Lower frequencies (bus-pumping duration is longer per half cycle)
- Higher power output current (more energy transfers between supplies)
- Smaller bus capacitors (the same energy will cause a larger voltage increase)

The EVAL_AUDAMP24 has protection features that will shut down the switching operation if the bus voltage becomes too high (more than 82 V) or too low (less than 36 V). One of the easiest countermeasures is to drive both of the channels out of phase so that one channel consumes the energy flow from the other and does not return it to the power supply. Bus voltage detection is only done on the $-B$ supply as the effect of the bus pumping on the supplies is assumed to be symmetrical in amplitude (although opposite in phase).

Functional descriptions

8.5 Housekeeping power supply

The internally generated housekeeping power supplies include ± 5 V for analog signal processing, and +12 V supply (V_{CC}) referred to the negative supply rail -B for the CoolGaN™ gate drive. The gate-driver section of the IRS20957SPBF uses V_{CC} to drive gates of the CoolGaN™ s. V_{CC} is referenced to -B (negative power supply). D6, R4 and C15 form a bootstrap floating supply for the HO gate driver.

8.6 Input

A proper input signal is an analog signal ranging from 20 Hz to 20 kHz with up to 3 V_{RMS} amplitude with a source impedance of no more than 600 Ω . Input signal with frequencies from 30 kHz to 60 kHz may cause LC resonance in the output LPF, causing a large reactive current flowing through the switching stage, and the LC resonance can activate OCP.

The EVAL_AUDAMP24 has an RC network called a Zobel network (R45 and C36) to damp the resonance and prevent peaking frequency response with light loading impedance. (Figure 16), but is not thermally rated to handle continuous supersonic frequencies. These supersonic input frequencies should therefore be avoided. Separate mono RCA connectors provide input to each of the two channels. Although both channels share a common ground, it is necessary to connect each channel separately to limit noise and cross-talk between channels.

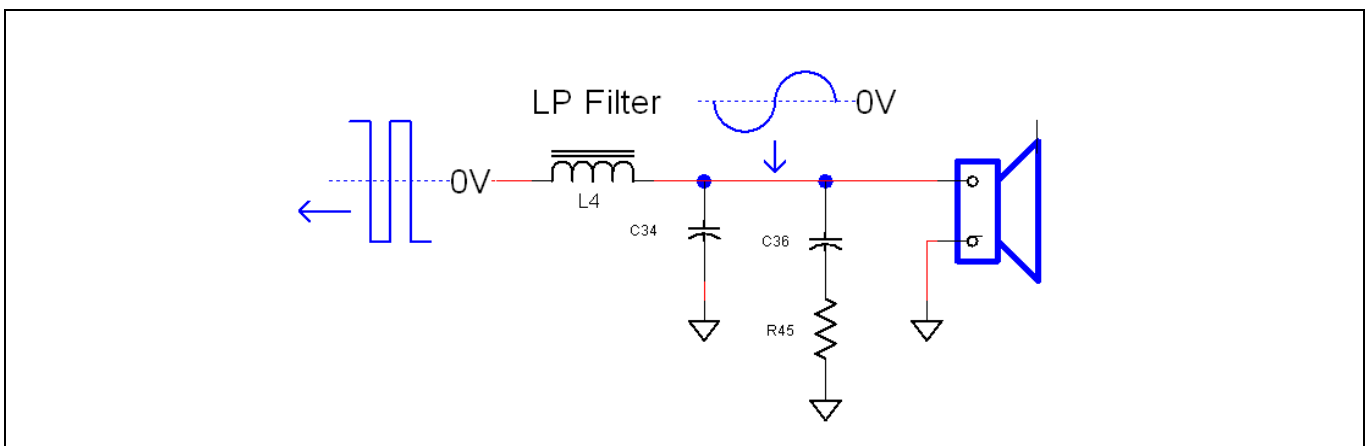


Figure 16 Output LPF and Zobel network

8.7 Output

Both outputs for the EVAL_AUDAMP24 are single-ended and therefore have terminals labeled (+) and (-) with the (-) terminal connected to power ground. Each channel is optimized for 4 Ω speaker load for a maximum output power of 225 W or 8 Ω speaker load for a maximum output power of 250 W.

8.8 Load impedance

Each channel is optimized for a 4 to 8 Ω speaker load in half-bridge.

8.9 Gain setting/volume control

The EVAL_AUDAMP24 has an internal volume control (potentiometer R130, labeled “VOLUME”) for gain adjustment. Gain settings for both channels are tracked and controlled by the volume control IC (U_2) setting the gain from the microcontroller IC (U_3). The total gain is a product of the power-stage gain, which is constant (+33 dB), and the input-stage gain that is directly controlled by the volume adjustment. The volume range is about 100 dB with minimum volume setting to mute the system with an overall gain of less than -60 dB.

EVAL_AUDAMP24

IRS20957SPBF + IGT40R070D1 E8220 evaluation board

Functional descriptions

For best performance in testing, the internal volume control should be set to 1 V_{RMS} input, which will result in rated output power (250 W into 8 Ω).

8.10 Efficiency

Figures 17 and 18 show efficiency characteristics of the EVAL_AUDAMP24. The high efficiency is achieved by the following factors:

- Low conduction loss due to the CoolGaN™ offering low R_{DS(ON)}
- Low switching loss due to the CoolGaN™ offering low input capacitance for fast rise and fall times
- Secure dead-time provided by the IRS20957SPBF, avoiding cross-conduction

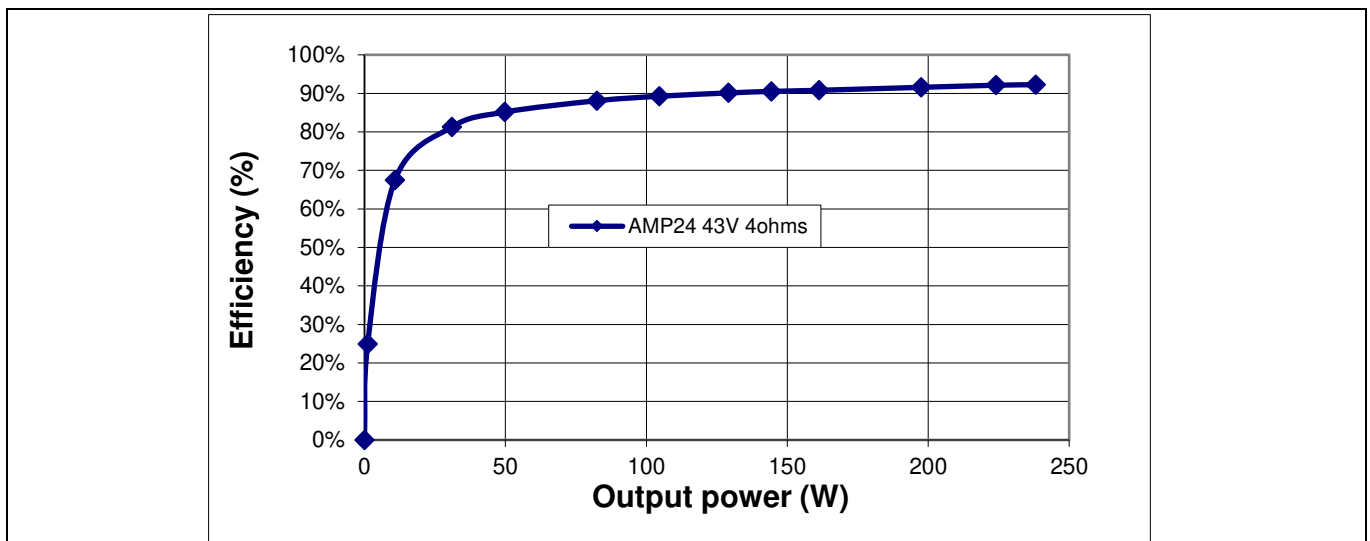


Figure 17 EVAL_AUDAMP24 4 Ω load stereo, ±B supply = ±43 V

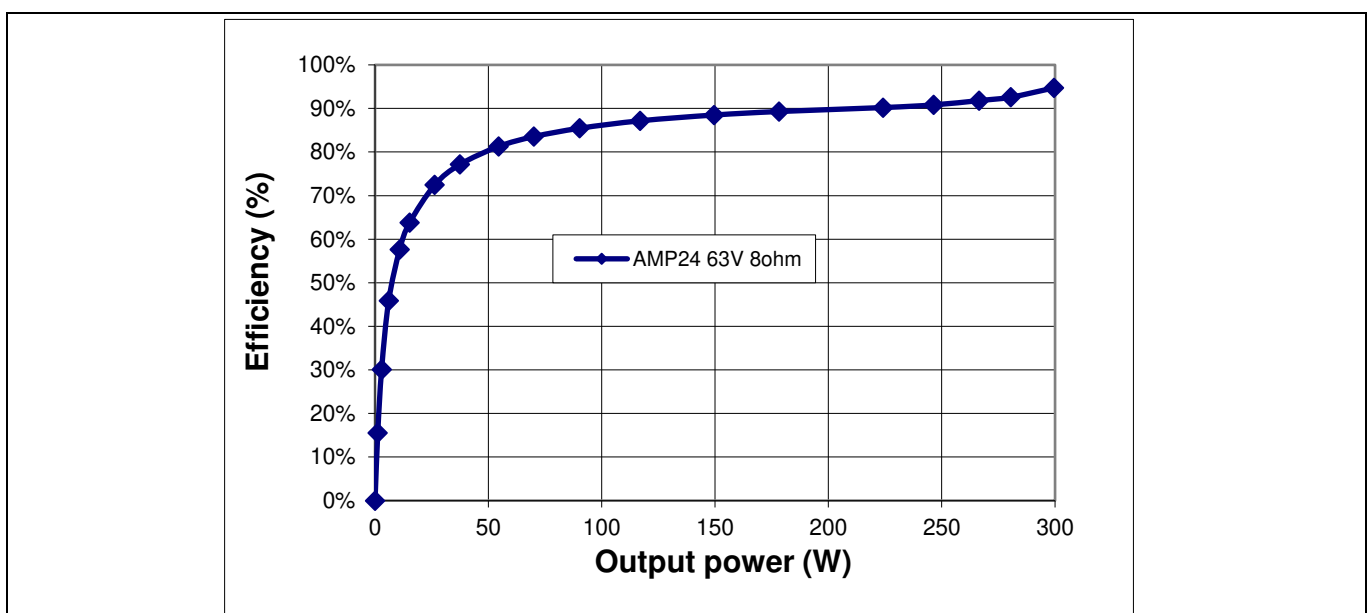


Figure 18 EVAL_AUDAMP24 8 Ω load stereo, ±B supply = ±63 V

Functional descriptions

8.11 Output filter design and preamplifier

The audio performance of the EVAL_AUDAMP24 depends on a number of different factors. The section entitled “Typical Performance” presents performance measurements based on the overall system, including the preamp and output filter. While the preamp and output filter are not part of the class D power stage, they have a significant effect on the overall performance.

8.11.1 Output filter

The amplified PWM output is reconstructed back to an analog signal by the output LC LPF. Demodulation LC LPF, formed by L4 and C34, filters out the class D switching carrier signal, leaving the audio output at the speaker load. A single-stage output filter can be used with switching frequencies of 400 kHz and greater; a design with a lower switching frequency may require an additional stage of LPF.

Since the output filter is not included in the control loop of the EVAL_AUDAMP24, the reference design cannot compensate for performance deterioration due to the output filter. Therefore, it is important to understand what characteristics are preferable when designing the output filter:

- The DC resistance of the inductor should be minimal and within 20 mΩ or less
- The linearity of the output inductor and capacitor should be high with respect to load current and voltage

8.11.2 Preamplifier

The preamp allows partial gain of the input signal, and in the EVAL_AUDAMP24 it controls the volume. The preamp itself will add distortion and noise to the input signal, resulting in a gain through the class D output stage and appearing at the output. Even a few microvolts of noise can add significantly to the output noise of the overall amplifier. In fact, the output noise from the preamp contributes more than half of the overall noise to the system.

It is possible to evaluate the performance without the preamp and volume control, by moving resistors R154 and R155 to R157 and R156, respectively. This effectively bypasses the preamp and connects the RCA inputs directly to the class D power stage input. Improving the selection of the preamp and/or output filter will improve the overall system performance to approach that of the standalone class D power stage.

8.12 Self-oscillating PWM modulator

The EVAL_AUDAMP24 class D audio power amplifier features a self-oscillating type PWM modulator for the lowest component count and robust design. This topology represents an analog version of a second-order sigma-delta modulation, having a class D switching stage inside the loop. The benefit of the sigma-delta modulation, in comparison to the carrier-signal based modulation, is that all the error in the audible frequency range is shifted to the inaudible upper-frequency range by nature of its operation. Also, sigma-delta modulation allows a designer to apply a sufficient amount of correction.

The self-oscillating frequency is determined by the total delay time inside the control loop of the system. The delay of the logic circuits, the IRS20957SPBF gate-driver propagation delay, the IGT40R070D1 E8220 switching speed, the time-constant of the front-end integrator (e.g., R50 + R49, C38 and C42 for CH1) and variations in the supply voltages are critical factors of the self-oscillating frequency. Under normal conditions, the switching frequency is around 500 kHz with no audio input signal.

8.13 Adjustments of self-oscillating frequency

The PWM switching frequency in this type of self-oscillating switching scheme greatly impacts the audio performance, both in absolute frequency and frequency relative to the other channels. In absolute terms, at higher frequencies, distortion due to switching time becomes significant, while at lower frequencies, the

Functional descriptions

bandwidth of the amplifier suffers. In relative terms, interference between channels is most significant if the relative frequency difference is within the audible range. Normally when adjusting the self-oscillating frequency of the different channels, it is best to either match the frequencies accurately, or have them separated by at least 25 kHz.

Table 5 Potentiometers for adjusting self-oscillating frequency

R49	Switching frequency for CH1
R74	Switching frequency for CH2

Note: Adjustments must be made in an idling condition with no signal input.

8.14 Switches and indicators

There are two different indicators on the reference design:

- A red LED, signifying a fault/shutdown condition when lit
- A green LED on the motherboard, signifying conditions are normal and no fault condition is present

There are three switches on the reference design:

- Switch S1 is an oscillator selector. This three-position switch is selectable for internal self-oscillator (middle position – “SELF”), or either internal (“INT”) or external (“EXT”) clock synchronization.
- Switch S2 is an internal clock-sync phase difference selector. This feature allows the designer to modify the clock-sync phase separation in order to avoid synchronized switching noise interference. With S2 set to “off”, the sync-clock phase difference value is 180 degrees. With S2 set to “INT”, the clock-sync phase is set by potentiometer R100. With S2 set to “STG”, one channel’s clock is quadrature-lagging.
- Switch S3 is a trip and reset push-button. Pushing this button has the same effect as a fault condition. The circuit will restart about 3 s after the shutdown button is released.

8.15 Start-up and shutdown

One of the most important aspects of any audio amplifier is the start-up and shutdown procedure. Typically, transients occurring during these intervals can result in audible pop- or click-noise on the output speaker. Traditionally, these transients have been kept away from the speaker through the use of a series relay that connects the speaker to the audio amplifier only after the start-up transients have passed and disconnects the speaker prior to shutting down the amplifier. It is interesting to note that the audible noise of the relay opening and closing is not considered “click noise”, although in some cases, it can be louder than the click noise of non-relay-based solutions.

The EVAL_AUDAMP24 does not use any series relay to disconnect the speaker from the audible transient noise, but rather a shunt-based click-noise reduction circuit that yields audible noise levels that are far less than those generated by the relays they replace. This results in a more reliable, superior performance system.

For the start-up and shutdown procedures, the activation (and deactivation) of the click-noise reduction circuit, the class D power stage and the audio input (mute) controls have to be sequenced correctly to achieve the required click-noise reduction. The overall start-up sequencing, shutdown sequencing and shunt circuit operation are described below.

Functional descriptions

8.16 Click and pop noise reduction

To reduce the turn-on and turn-off click noise, a low-impedance shunting circuit is used to minimize the voltage across the speaker during transients. For this purpose, the shunting circuit must include the following characteristics:

- An impedance significantly lower than that of the speaker being shunted. In this case, the shunt impedance is $\sim 100\text{ m}\Omega$, compared to the normal $8\ \Omega$ speaker impedance.
- When deactivated, the shunting circuit must be able to block voltage in both directions due to the bi-directional nature of the audio output.
- The shunt circuit requires some form of OCP. If one of the class D output CoolGaN™ HEMTs fails, or is conducting when the speaker mute (SP MUTE) is activated, the shunting circuit will effectively try to short one of the two supplies ($\pm B$).

The implemented click-noise reduction circuit is shown in **Figure 19**. Before start-up or shutdown of the class D power stage, the click-noise reduction circuit is activated through the SP MUTE control signal. With the SP MUTE signal high, the speaker output is shorted through the back-to-back CoolGaN™ HEMTs (U5 for Channel 1) with an equivalent on-resistance of about $100\text{ m}\Omega$. The two transistors (U7 for Channel 1) are for the OCP circuit.

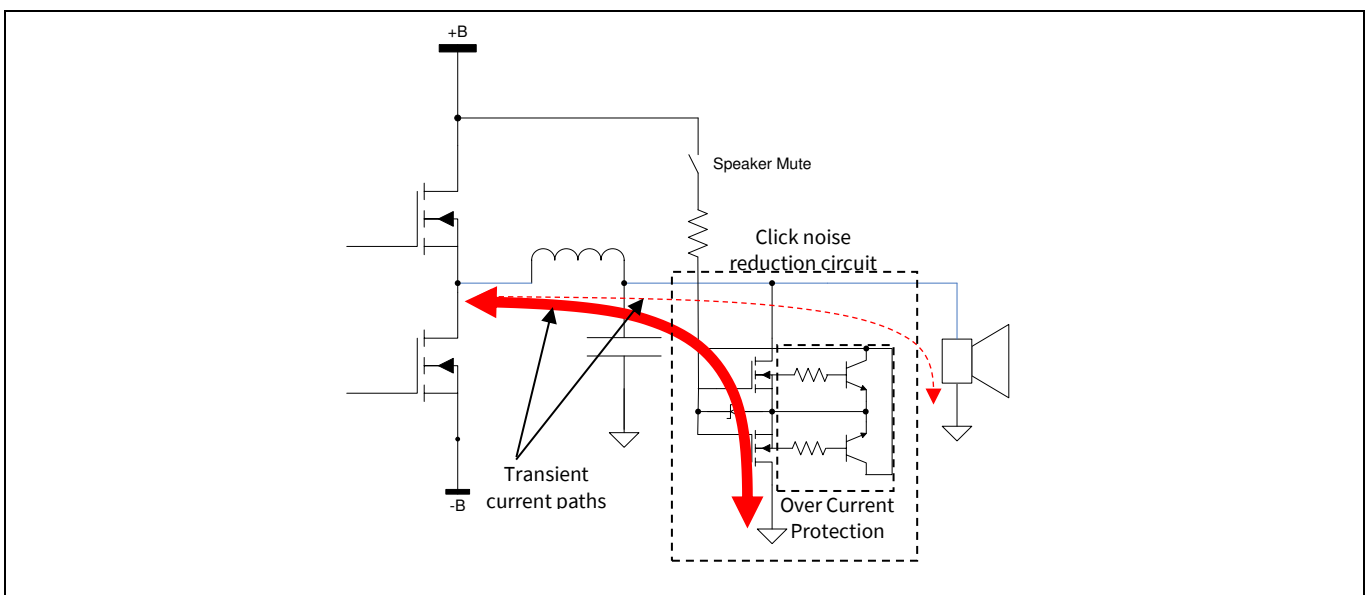


Figure 19 Class D output stage with click-noise reduction circuit

8.17 Start-up and shutdown sequencing

The EVAL_AUDAMP24 sequencing is achieved through the charging and discharging of the CStart capacitor C66. This, coupled to the charging and discharging of the voltage of CSD (C11 on daughter board for CH1) of the IRS20957SPBF, is all that is required for complete sequencing. The conceptual start-up and shutdown timing diagrams are shown in **Figure 20**.

Functional descriptions

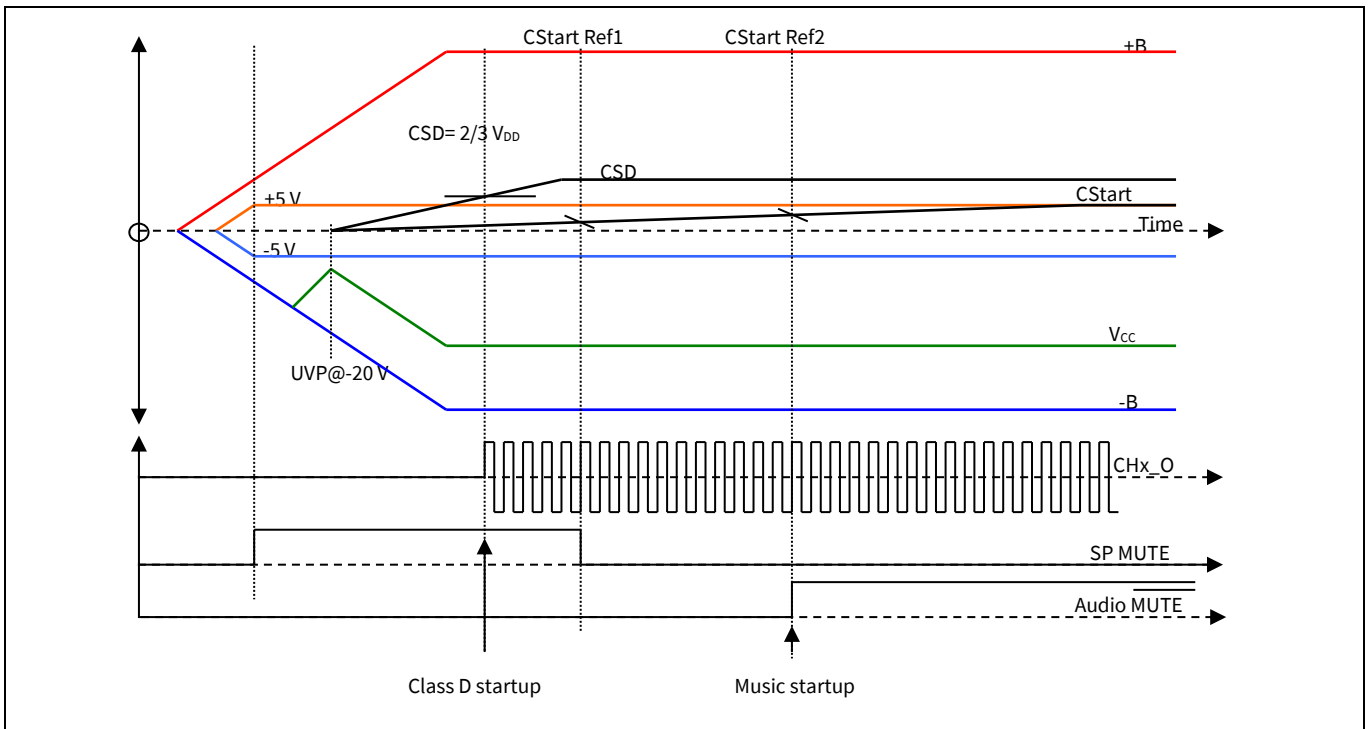


Figure 20 Conceptual start-up sequencing of power supplies and audio section timing

For start-up sequencing, $\pm B$ supplies start up at different intervals. As $\pm B$ supplies reach +5 V and -5 V respectively, the analog supplies (± 5 V) start charging and, once +B reaches ~ 16 V, V_{CC} charges. Once -B reaches -20 V, the UVP is released and CSD and CStart start charging. Once ± 5 V is established, the click-noise reduction circuit is activated through the SP MUTE control signal. As CSD reaches two-thirds V_{DD} , the Class D stage starts oscillating. Once the start-up transient has passed, SP MUTE is released (CStart reaches Ref1). The class D amplifier is now operational, but the preamp output remains muted until CStart reaches Ref2. At this point, normal operation begins. The entire process takes less than 3 s.

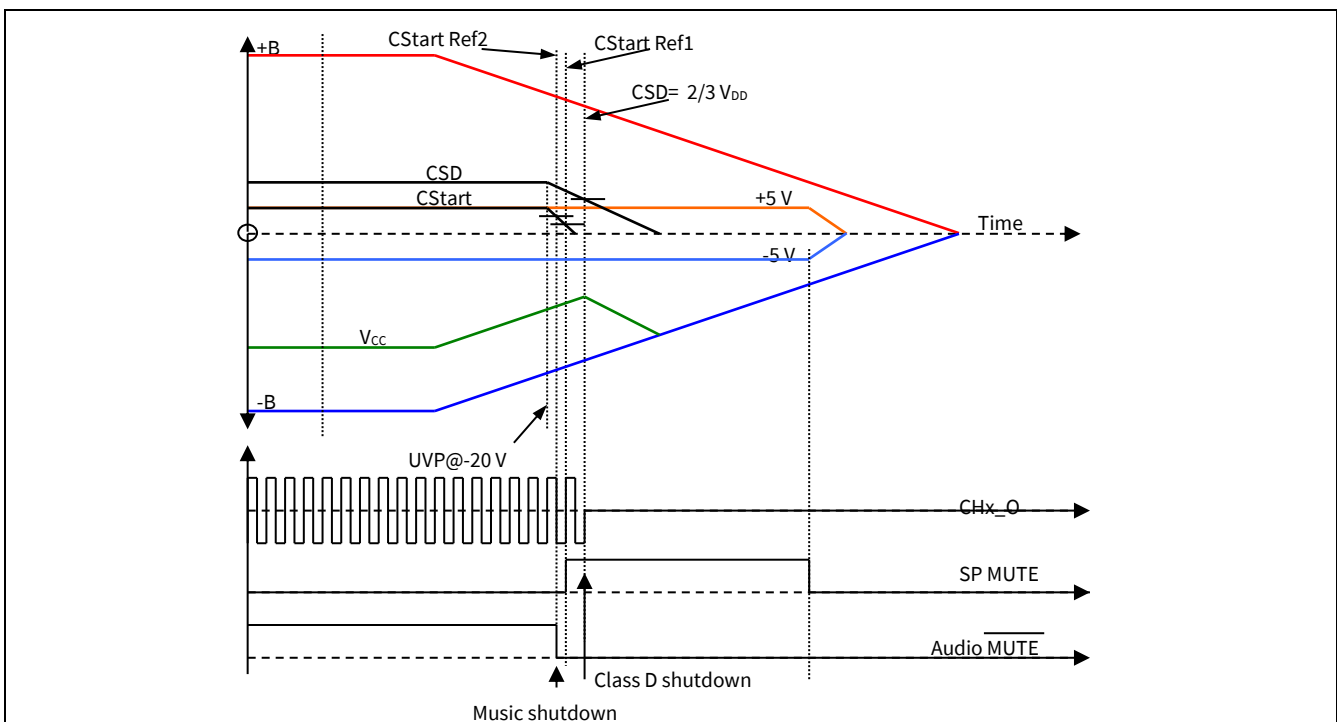


Figure 21 Conceptual shutdown sequencing of power supplies and audio section timing

Functional descriptions

Shutdown sequencing is initiated once UVP is activated. As long as the supplies do not discharge too quickly, the shutdown sequence can be completed before the IRS20957SPBF trips UVP. Once UVP is activated, CSD and CStart are discharged at different rates. In this case, threshold Ref2 is reached first and the preamp audio output is muted. Once CStart reaches threshold Ref1, the click-noise reduction circuit is activated (SP MUTE). It is then possible to shut down the class D stage (CSD reaches two-thirds V_{DD}). This process takes less than 200 ms.

For any external fault condition (OTP, OVP, UVP or DCP – see “Protection”) that does not lead to power supply shutdown, the system will trip in a similar manner as described above. Once the fault is cleared, the system will reset (similar sequence as start-up).

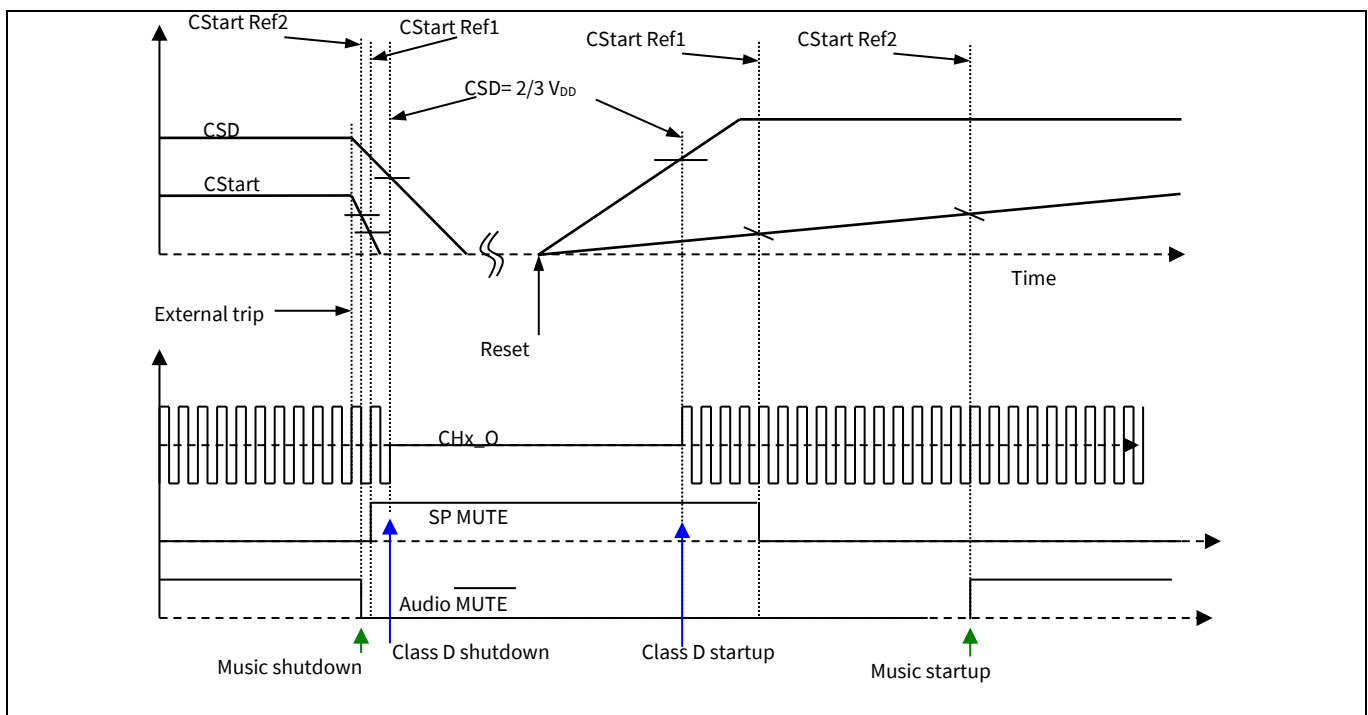


Figure 22 Conceptual click-noise reduction sequencing at trip and reset

8.18 Selectable dead-time

The IRS20957SPBF determines its dead-time based on the voltage applied to the DT pin. An internal comparator translates which pre-determined dead-time is being used by comparing the DT voltage with internal reference voltages. A resistive voltage divider from V_{CC} sets threshold voltages for each setting, negating the need for a precise absolute voltage to set the mode. The threshold voltages between dead-time settings are set internally, based on different ratios of V_{CC} as indicated in the diagram below. In order to avoid drift from the input bias current of the DT pin, a bias current of greater than 0.5 mA is suggested for the external resistor-divider circuit. Suggested values of resistance that are used to set a dead-time are given below. Resistors with up to 5 percent tolerance can be used.

Table 6 Recommended resistor values for dead-time selection

Dead-time mode	Dead-time	R12A/B	R10A/B	DT voltage
DT1	~15 ns	Less than 10 k Ω	Open	V_{CC}
DT2	~25 ns	5.6 k Ω	4.7 k Ω	0.46 (V_{CC})
DT3	~35 ns	8.2 k Ω	3.3 k Ω	0.29 (V_{CC})
DT4	~45 ns	Open	Less than 10 k Ω	COM

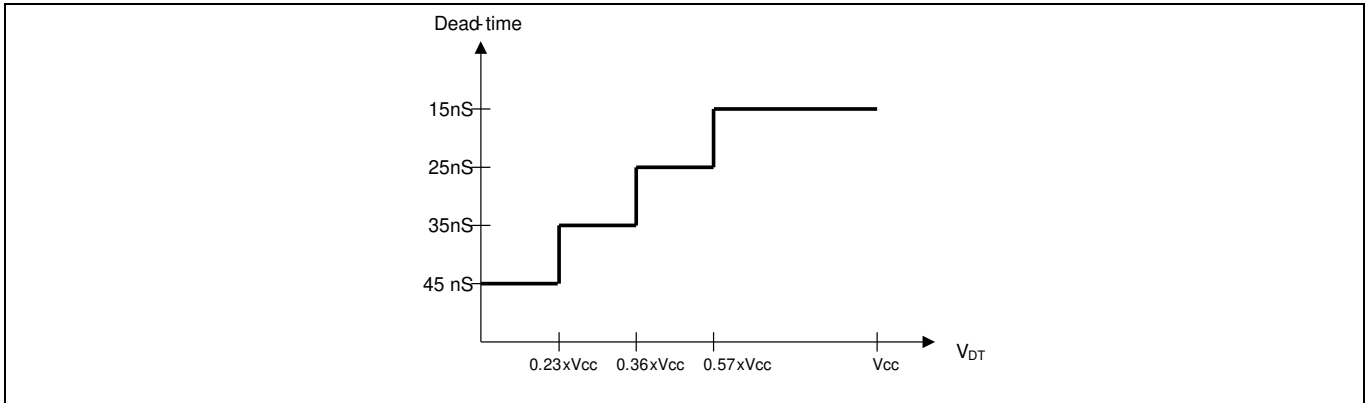


Figure 23 Dead-time setting vs. V_{DT} voltage

8.19 Protection system overview

The IRS20957SPBF integrates OCP inside the IC. The rest of the protections, such as OVP, UVP and OTP, are detected externally to the IRS20957SPBF.

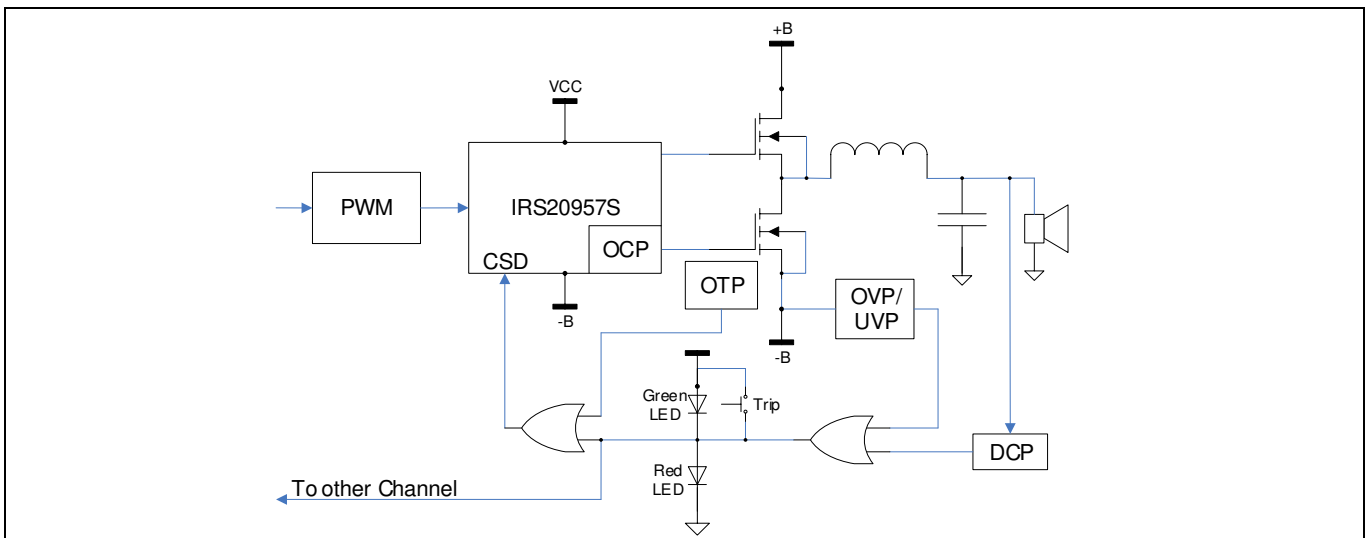


Figure 24 Functional block diagram of protection circuit implementation

The external shutdown circuit will disable the output by pulling down CSD pins. If the fault condition persists, the protection circuit stays in shutdown until the fault is removed.

8.19.1 Over-Current Protection (OCP)

The OCP internal to the IRS20957SPBF shuts down the IC if an OCP is sensed in either of the output CoolGaN™ HEMTs. For a complete description of the OCP circuitry, please refer to the IRS20957SPBF datasheet. Following is a brief description:

8.19.1.1 Low-side current sensing

The low-side current sensing feature protects the low-side CoolGaN™ from an over-load condition from negative load current by measuring drain-to-source voltage across $R_{DS(ON)}$ during its on-state. OCP shuts down the switching operation if the drain-to-source voltage exceeds a preset trip level.

Functional descriptions

The voltage setting on the OCSET pin programs the threshold for low-side over-current sensing. When the VS voltage becomes higher than the OCSET voltage during low-side conduction, the IRS20957SPBF turns the outputs off and pulls CSD down to $-V_{SS}$.

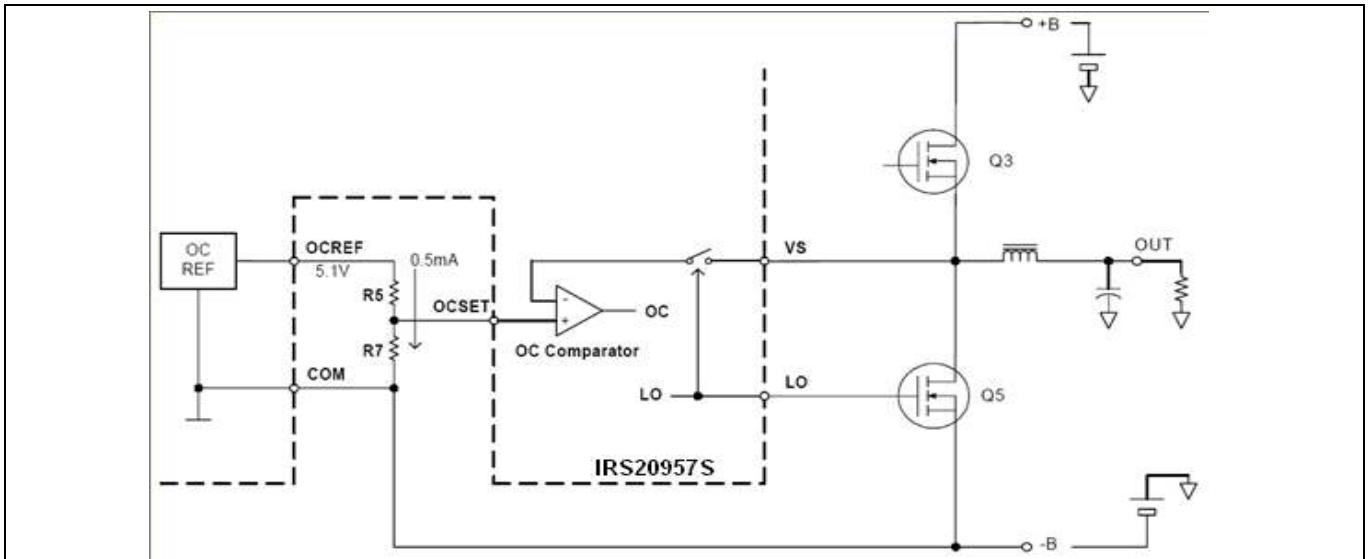


Figure 25 Simplified functional block diagram of low-side current sensing

8.19.1.2 High-side current sensing

The high-side current sensing protects the high-side CoolGaN™ from an overload condition from positive load current by measuring drain-to-source voltage across $R_{DS(ON)}$ during its on-state. OCP shuts down the switching operation if the drain-to-source voltage exceeds a preset trip level.

High-side over-current sensing monitors drain-to-source voltage of the high-side CoolGaN™ during the on-state through the CSH and VS pins. The CSH pin detects the drain voltage with reference to the VS pin, which is the source of the high-side CoolGaN™. In contrast to the low-side current sensing, the threshold of the CSH pin to trigger OC protection is internally fixed at 1.2 V. An external resistive divider, R16A/B, R17A/B and R18A/B, is used to program a threshold. An external reverse blocking diode D4A/B is required to block high voltage feeding into the CSH pin during low-side conduction. By subtracting a forward voltage drop of 0.6 V at D4A/B, the minimum threshold that can be set for the high-side is 0.6 V across the drain-to-source.

EVAL_AUDAMP24

IRS20957SPBF + IGT40R070D1 E8220 evaluation board

Functional descriptions

8.19.5 Offset null (DC offset) adjustment

The EVAL_AUDAMP24 is designed such that no output-offset nullification is required. DC offsets are tested to be less than ± 5 mV.

8.19.6 Over-Temperature Protection (OTP)

A separate PTC resistor is placed in close proximity to the high-side IGT40R070D1 E8220 CoolGaNTM for each of the amplifier channels. If the resistor temperature rises above 90°C, OTP is activated. The OTP protection will only shut down the relevant channel by pulling the CSD pin low and will recover once the temperature at the PTC has dropped sufficiently. This temperature protection limit yields a PCB temperature at the CoolGaNTM of about 100°C. This setting is limited by the PCB material and not by the operating range of the CoolGaNTM.

8.20 Thermal information

8.20.1 Peak power duration thermal information

Test conditions:

Input signal = 1 kHz

Both channel driven

$F_{PWM} = 500$ kHz

Table 7 Peak power

Load (Ω)	$\pm V_{bus}$ (V)	1 percent THD+N power (W)	Duration
4	43	225	More than 1 minute no thermal shutdown at $T_{HEATSINK} = 100^\circ\text{C}$
8	63	250	More than 1 minute no thermal shutdown at $T_{HEATSINK} = 100^\circ\text{C}$

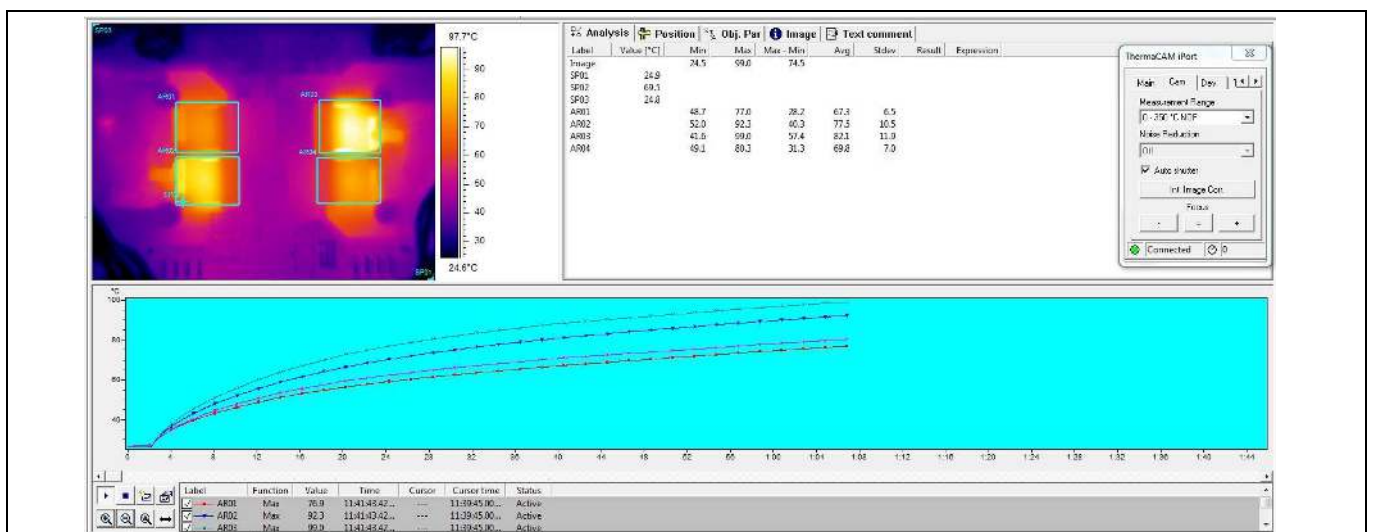


Figure 27 Peak power $P_{out} = 225$ W with 4 Ω load ± 43 V

Note: Maximum temperature 99.0°C at 1 minute.

Functional descriptions

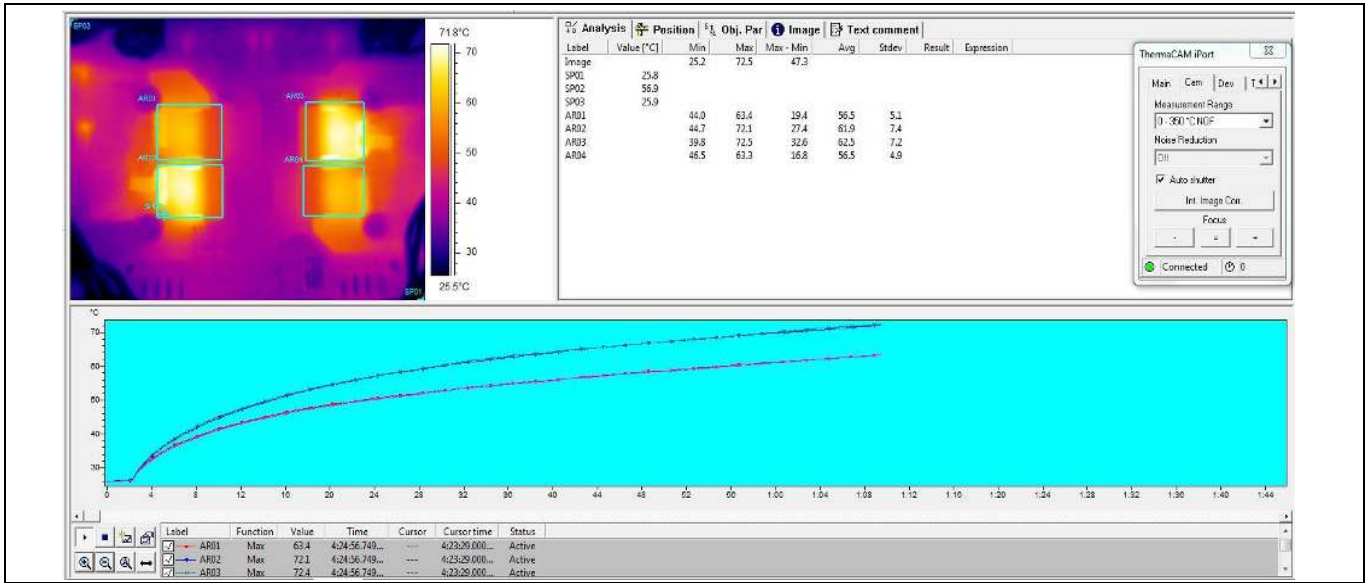


Figure 28 Peak power $P_{out} = 250\text{ W}$ with $8\ \Omega$ load $\pm 63\text{ V}$

Note: Maximum temperature 72.5°C at 1 minute.

Table 8 1/8 power test

Load (Ω)	$\pm V_{bus}$ (V)	Max. T-case ($^\circ\text{C}$)	1/8 power (W)	Duration (minutes)
4	43	81.1	28.1	30
8	63	85.5	31.25	30

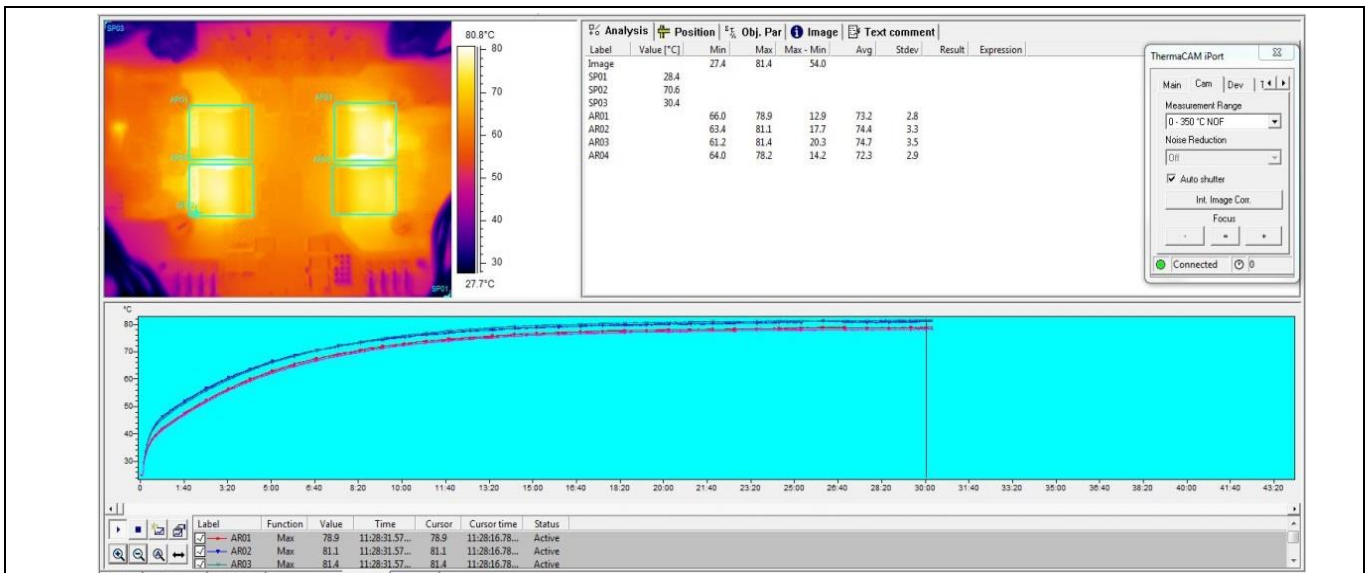


Figure 29 1/8 power = 28.1 W with $4\ \Omega$ load $\pm 43\text{ V}$

Note: Maximum temperature 81.1°C at 30 minutes, room temperature = 25°C .

Functional descriptions

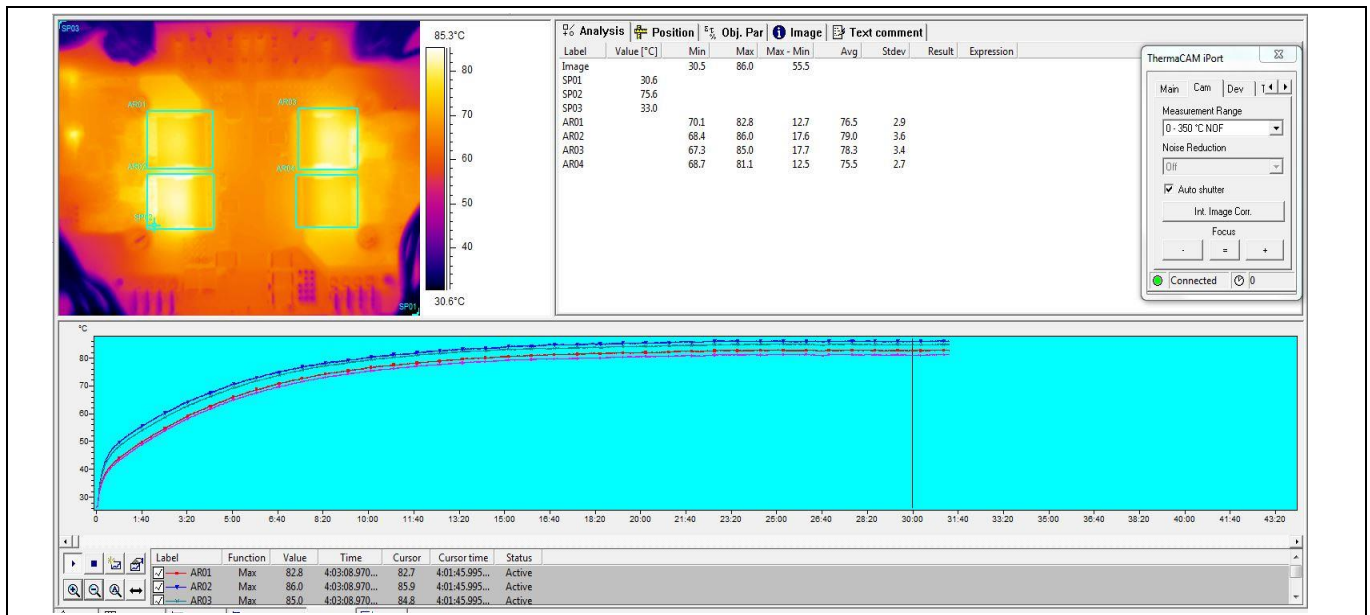


Figure 30 1/8 power = 31.25 W with 8 Ω load ±63 V

Note: Maximum temperature 85.5°C at 30 minutes, room temperature = 25°C.

Functional descriptions

8.20.2 Thermal Interface Materials (TIMs)

Recommend TIMs for heatsink attachment.

Common Thermal Interface Materials Cost Trades								
Mfr.	Material	Type	Thickness (mils)	Pressure Required	Dispense/Apply	Clips/Screws	Can be applied to heat sink?	Mechanical Placement?
Dow Corning	1-4173	1 part heat-cured adhesive	=	Yes	Dispense	Clips	N	Y
Dow Corning	SE 4451	2 part heat-cured adhesive	=	Yes	Dispense	Clips	N	Y
Dow Corning	3-6652	2 part heat-cured adhesive	=	Yes	Dispense	Clips	N	Y
Dow Corning	TP-1500 Pad	Tacky - Phase Change at 52° C	10	>5psi, 20psi typ.	Apply	Clips	Y	Y
Bergquist	Gap Pad 3000	conformable filled polymer sheet	15	>10psi	Apply	Clips/Screws	N	Y
Bergquist	Gap Pad 2000	conformable filled polymer sheet	10	>10psi	Apply	Clips/Screws	N	Y
Bergquist	Hi Flow 300	Phase Change at 55°C	2.4	>10psi	Apply	Clips	Y	*
Bergquist	Hi Flow 625	Phase Change at 65°C	5	>10psi	Apply	Clips	Y	*
Bergquist	Hi Flow 818	Phase Change at 65°C	5.5	>10psi	Apply	Clips	Y	*
Bergquist	Sil Pad 800	Conformable silicone elastomer	5	>10 higher better	Apply	Clips/Screws	Y	*
Bergquist	Sil Pad 900	Conformable silicone elastomer	9	>10 higher better	Apply	Clips/Screws	Y	*
Bergquist	Sil Pad A1500	Conformable silicone elastomer	10	10-50psi	Apply	Clips/Screws	Y	*
Bergquist	Sil Pad A2000	Conformable silicone elastomer	10	10-50psi	Apply	Clips/Screws	Y	*
Bergquist	Bond Ply 100	Pressure sensitive adhesive tape	5	>10psi	Apply	Clips	Y	Y
Bergquist	Bond Ply 100	Pressure sensitive adhesive tape	11	>10psi	Apply	Clips	Y	Y
Thermoset (Lord)	Gelease MG-120	Thermal grease/gel	=	5-7lbf	Dispense	Clips	N	Y
Shin Etsu	X-23-7783D	Thermal grease	==	-	Dispense	Clips	N	Y
Shin Etsu	X-23-7762	Thermal grease	==	-	Dispense	Clips	N	Y

Figure 31 TIM recommendations

Schematic

9 Schematic

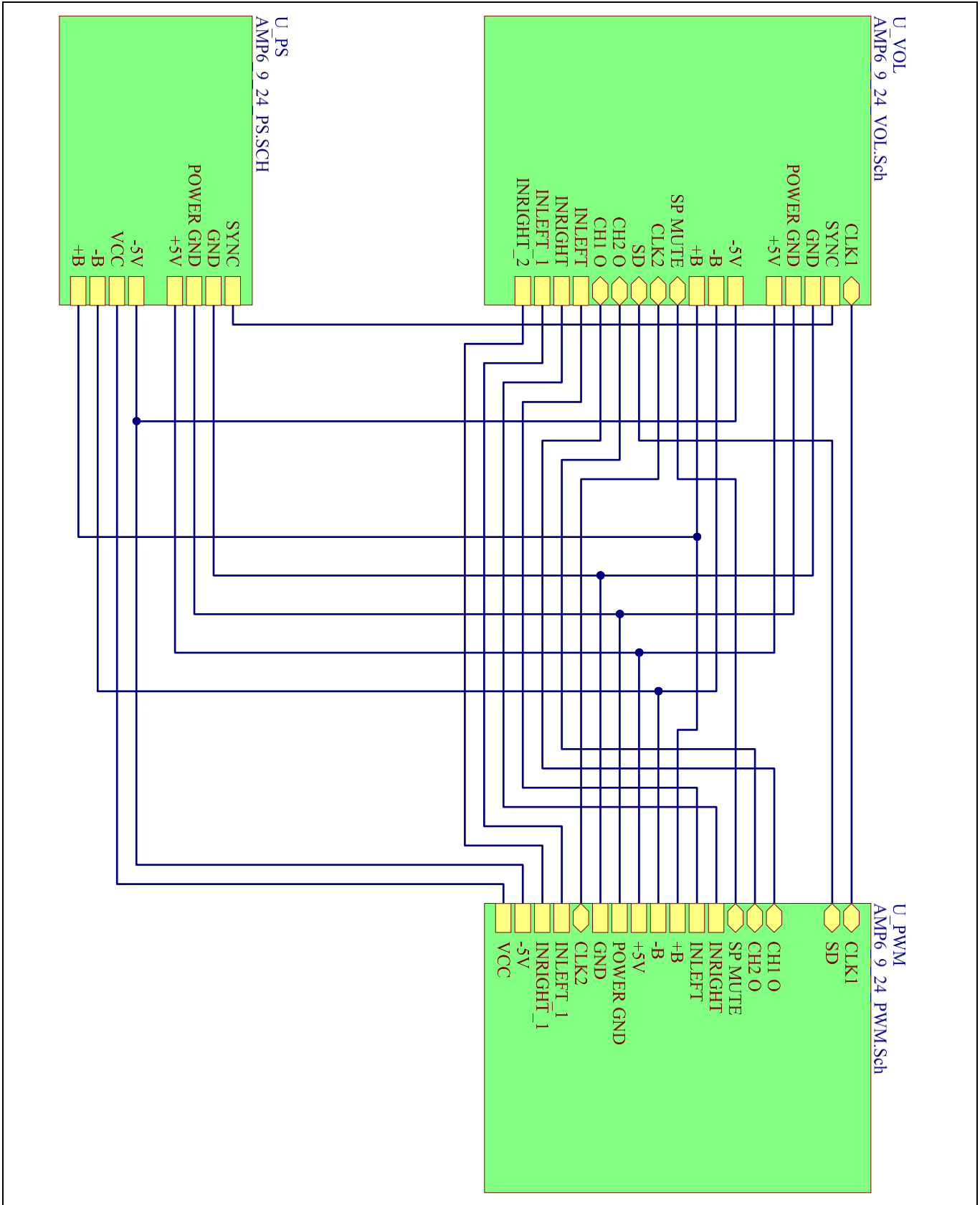


Figure 32 Motherboard schematic 1

Schematic

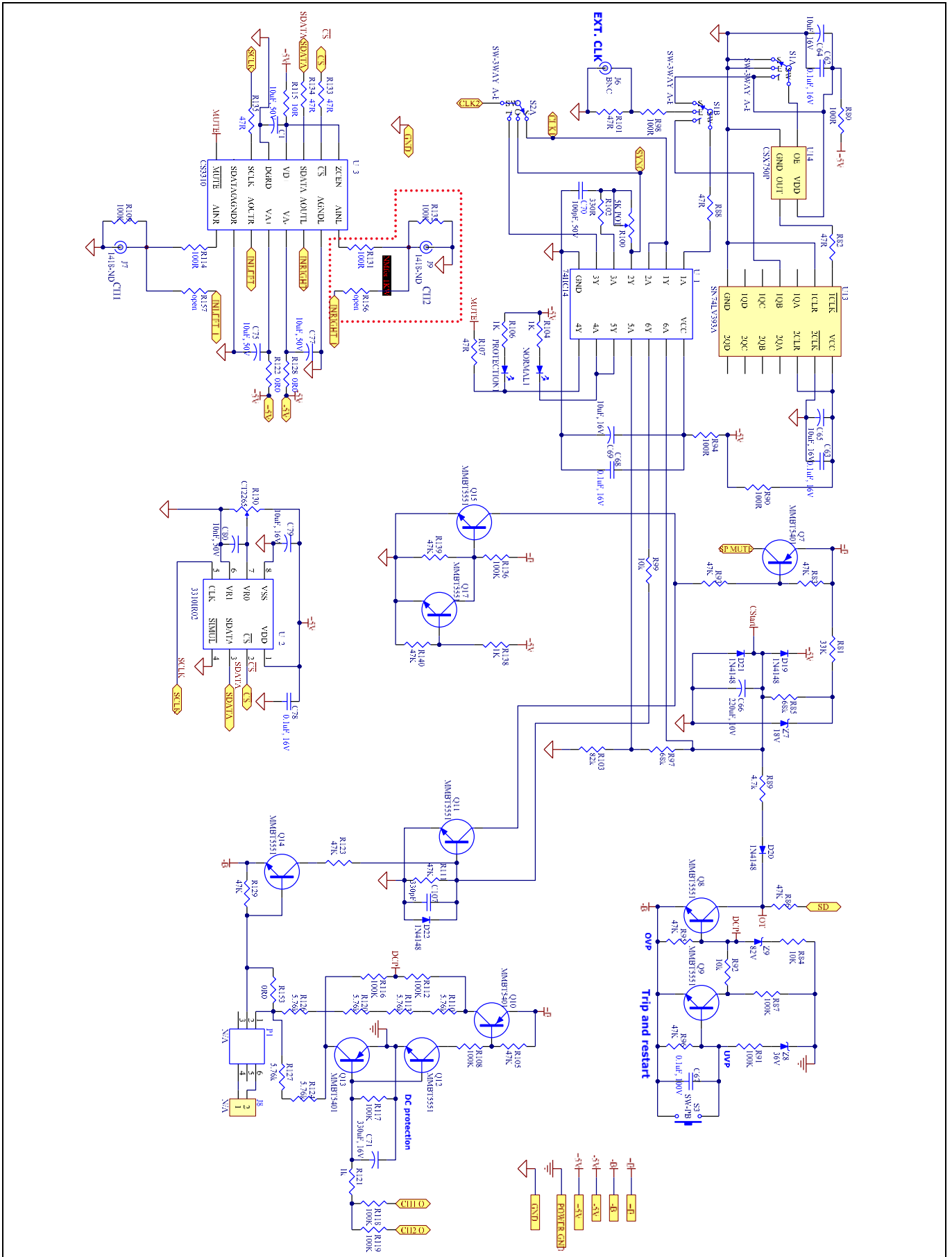


Figure 33 Motherboard schematic 2

EVAL_AUDAMP24

IRS20957SPBF + IGT40R070D1 E8220 evaluation board

Schematic

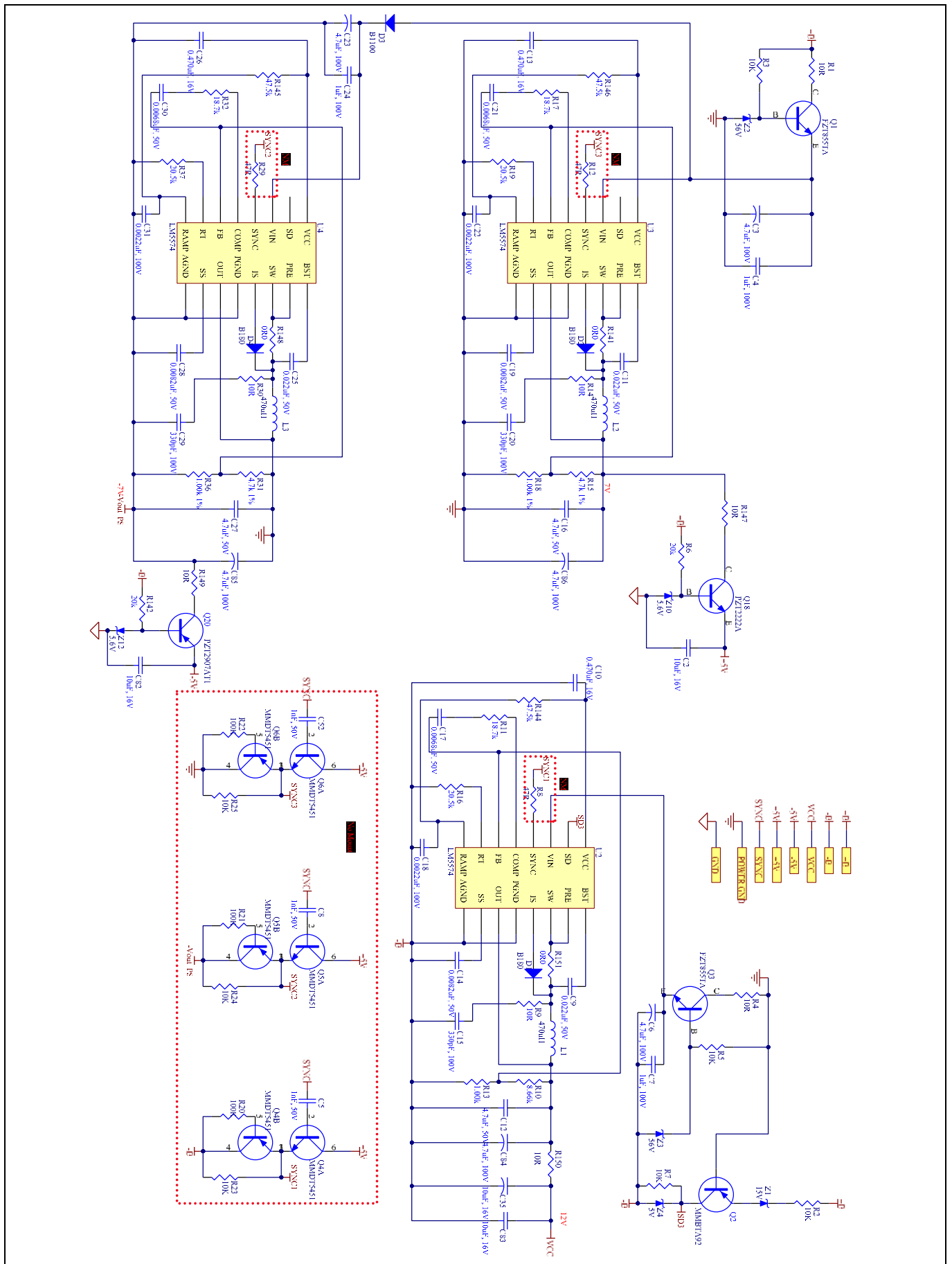


Figure 34 Motherboard schematic 3

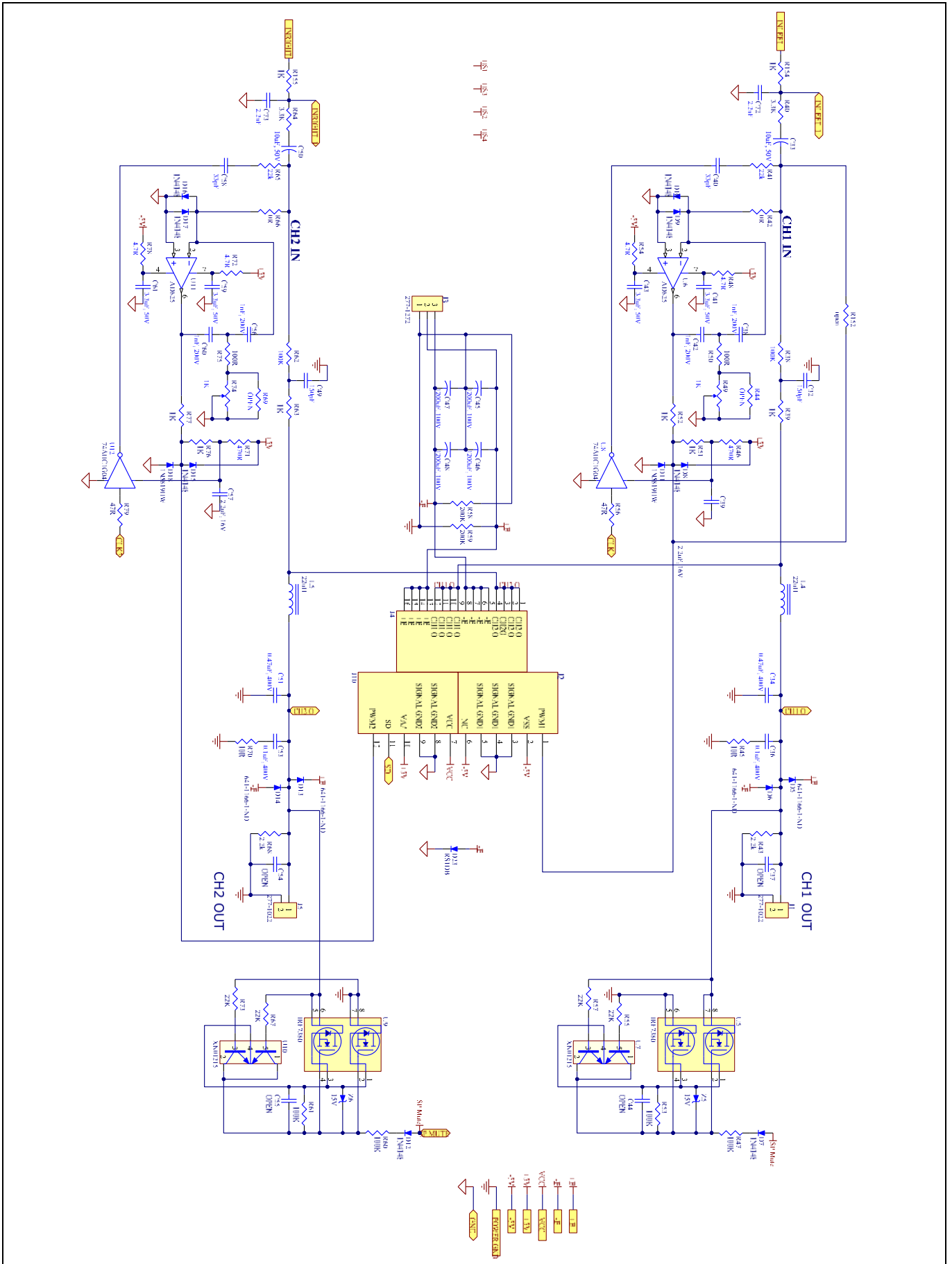


Figure 35 Motherboard schematic 4

EVAL_AUDAMP24

IRS20957SPBF + IGT40R070D1 E8220 evaluation board

Schematic

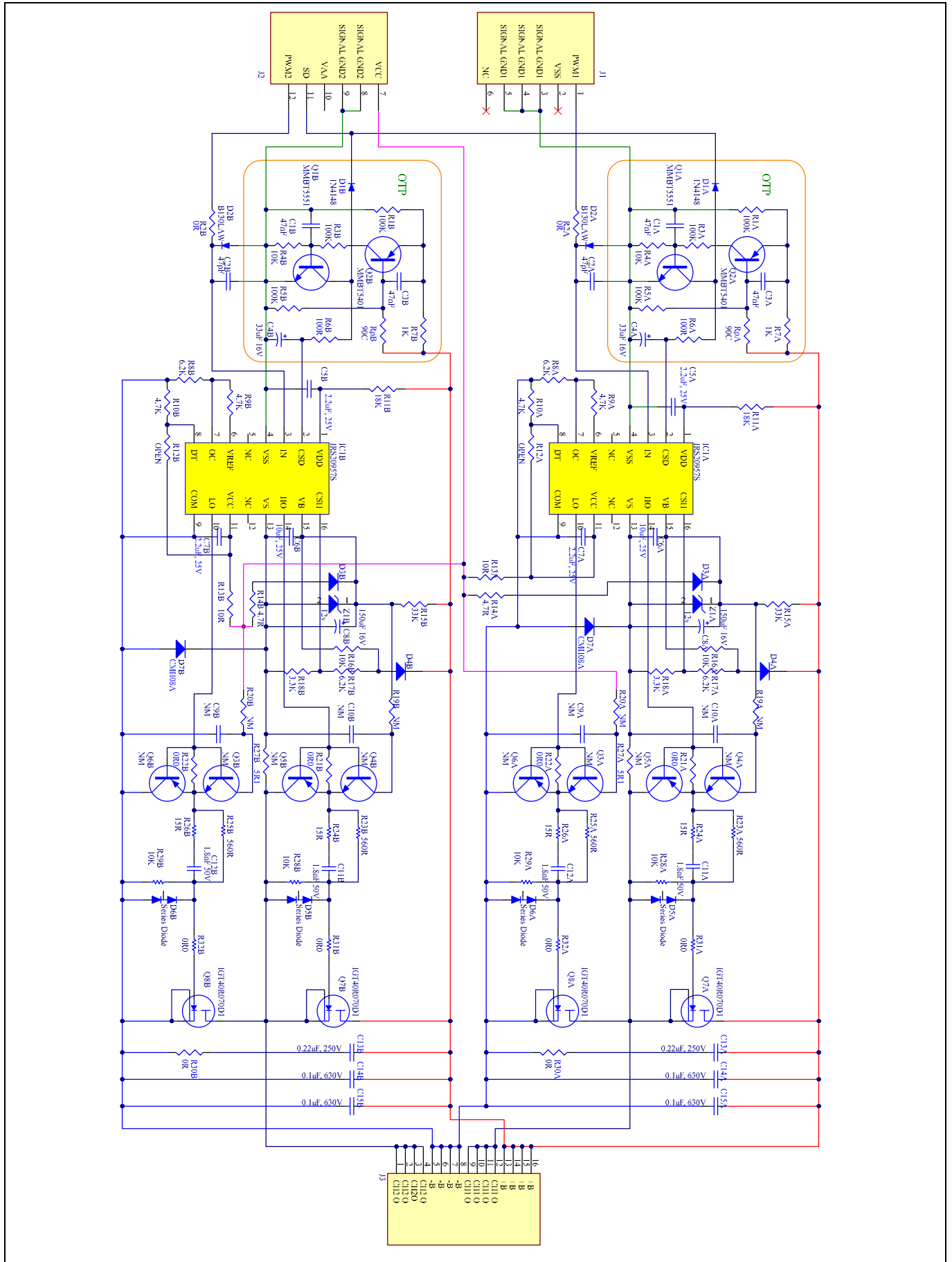


Figure 36 Daughter board schematic

PCB**10 PCB****10.1 PCB specification**

1. Two-layer SMT PCB with through-holes
2. 1/16 thickness
3. 2/0 oz. Cu
4. FR4 material
5. 20 mil lines and spaces
6. Solder mask to be green enamel EMP110 DBG (CARAPACE) or Enthone endplate DSR-3241 or equivalent
7. Silk screen to be white epoxy non-conductive per IPC–RB 276 standard
8. All exposed copper must be finished with tin-lead Sn 60 or 63 for 100 μ inches thick
9. Tolerance of PCB size shall be 0.010 to 0.000 inches
10. Tolerance of all holes is/- 0.003 inches
11. PCB acceptance criteria as defined for class II PCB standards

10.2 PCB layout

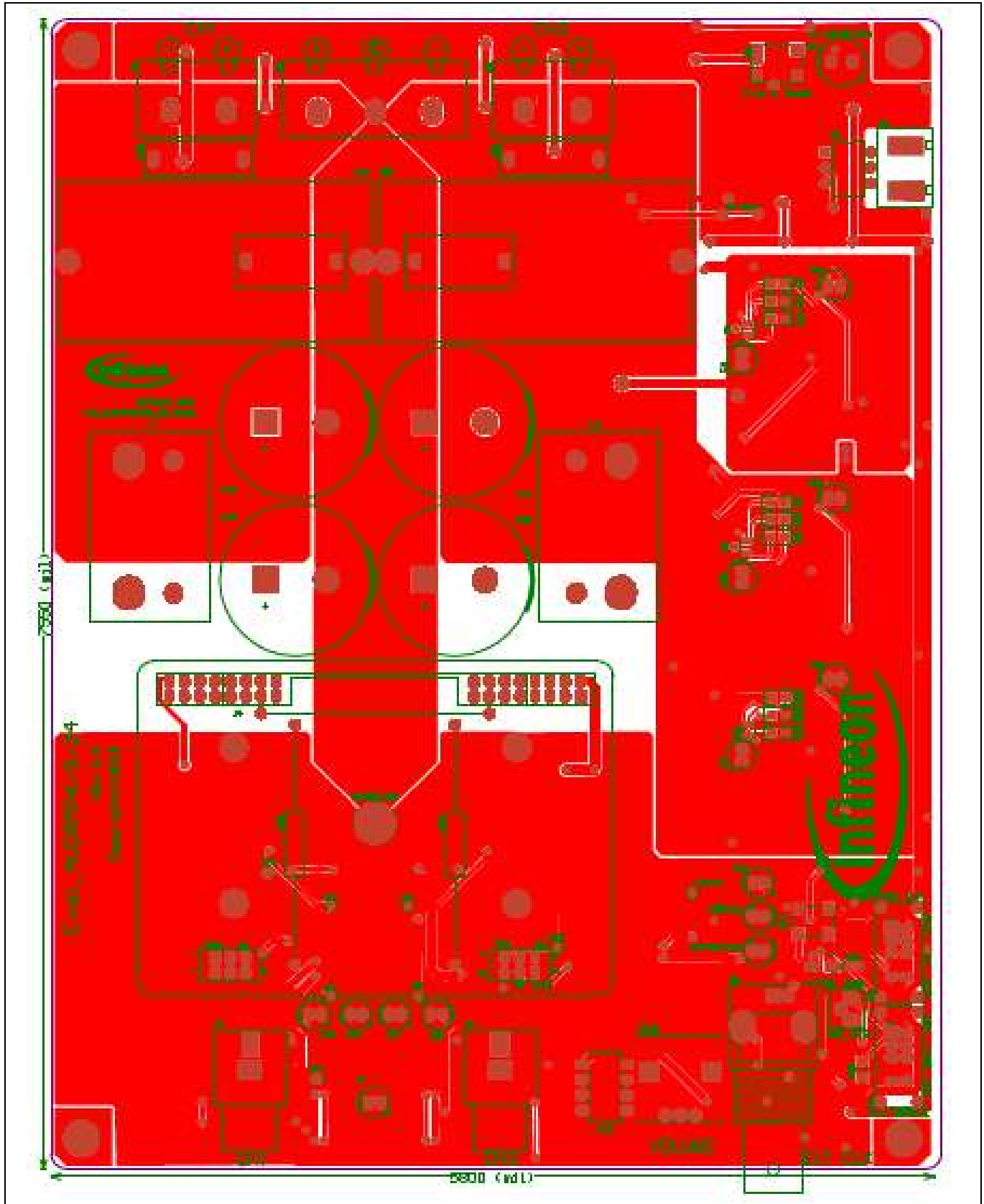


Figure 37 Motherboard top view

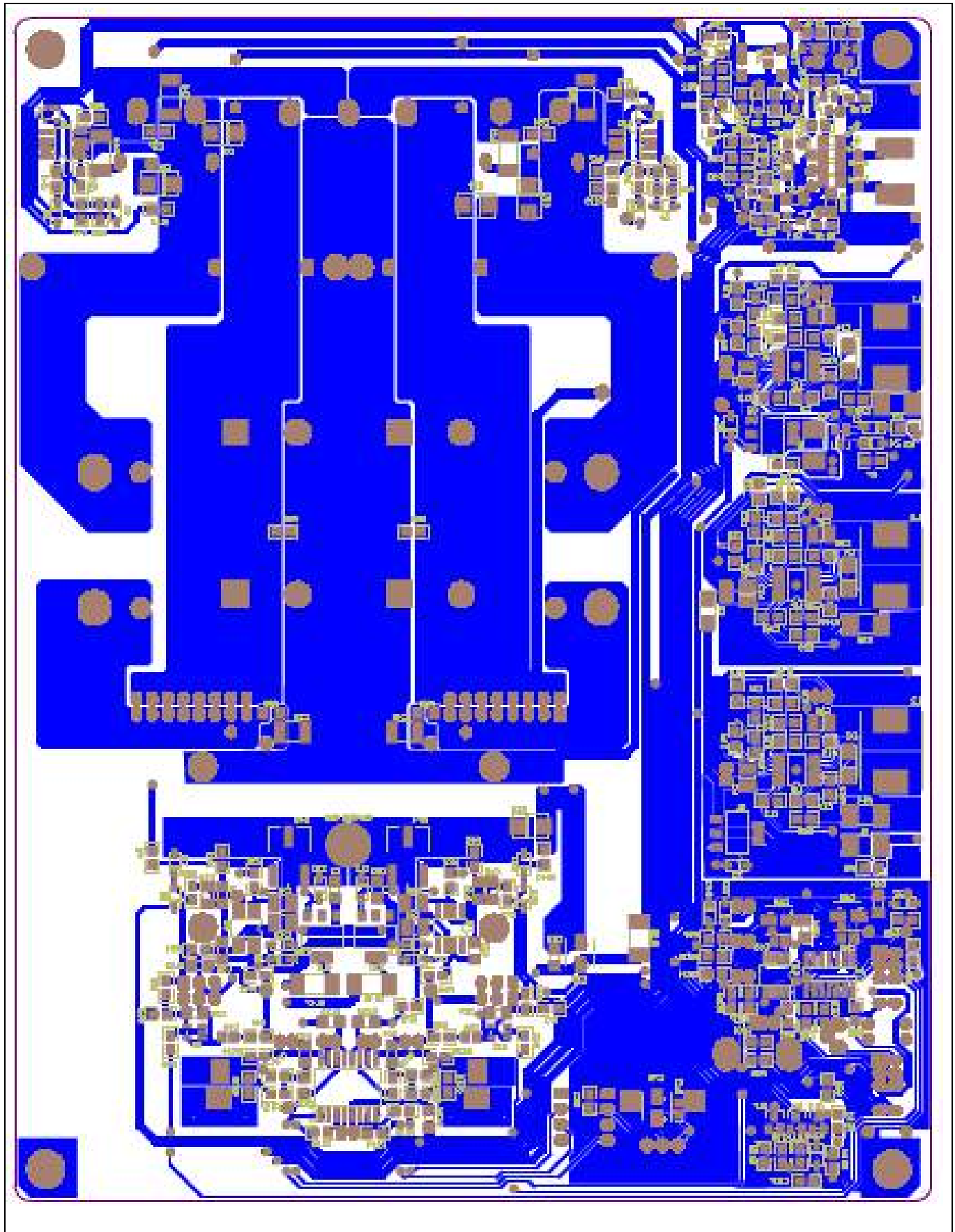


Figure 38 Motherboard bottom view

PCB

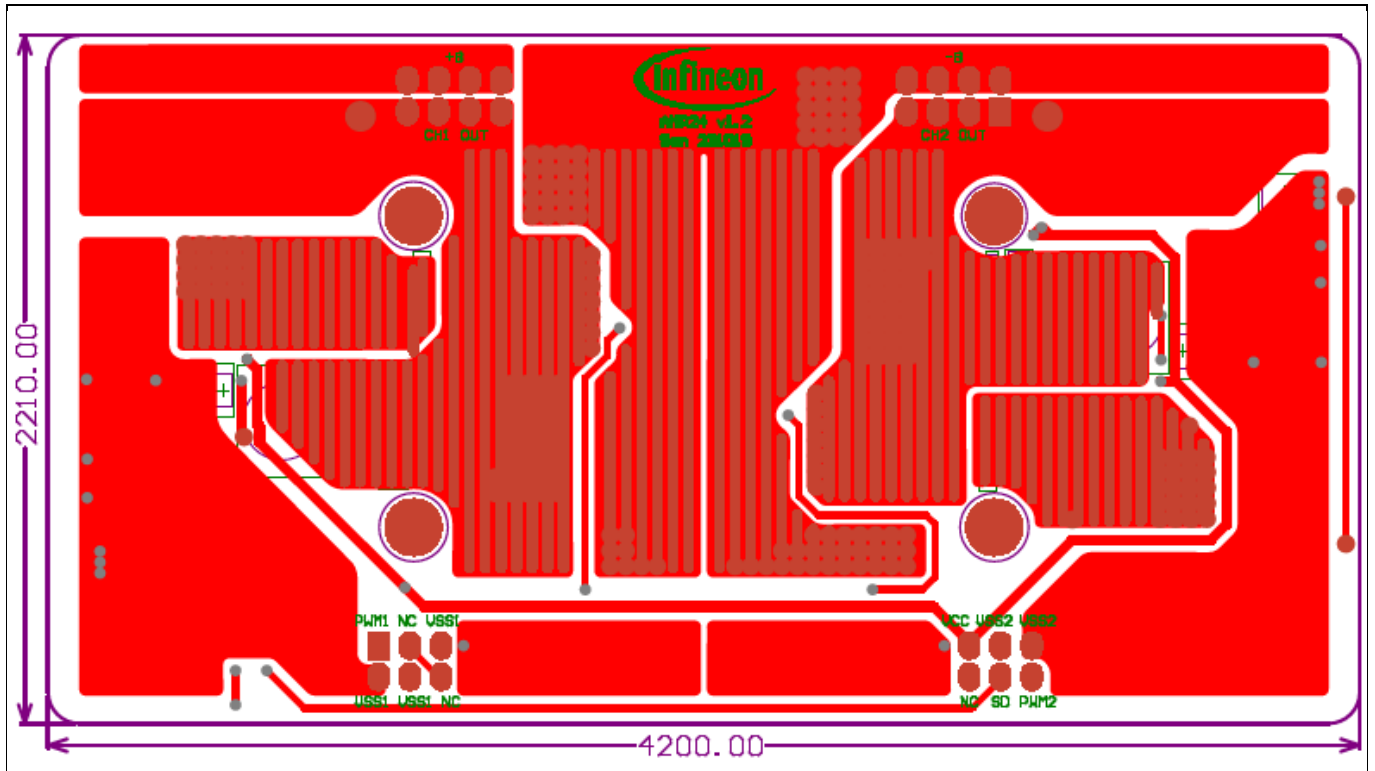


Figure 39 Daughter board top view

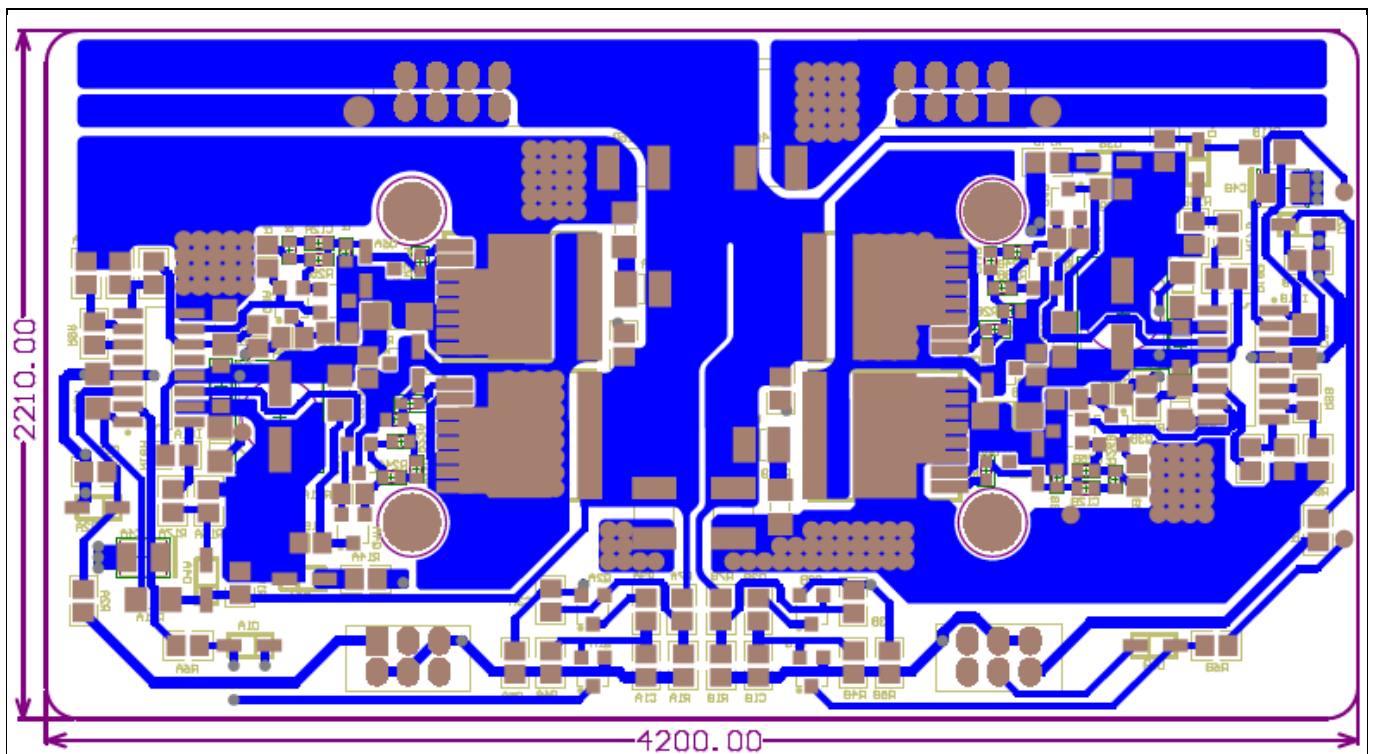


Figure 40 Daughter board bottom view

Bill of Materials (BOM)

11 Bill of Materials (BOM)

Table 9 Motherboard BOM

No.	Part number	Designator	Description	Quantity	Vendor
1	565-1106-ND	C1, C33, C50, C75, C77	Capacitor 10 μ F 50 V elect. SMG RAD	5	Digikey
2	PCC13491CT-ND	C2, C82, C83	Capacitor 10 μ F 16 V ceramic X7R 1206	3	Digikey
3	565-1147-ND	C3, C6, C23, C84, C85, C86	Capacitor 4.7 μ F 100 V elect. SMG RAD	6	Digikey
4	490-1857-1-ND	C4, C7, C24	Ceramic capacitor 1.0 μ F 100 V 10 percent X7R 1210	3	Digikey
5	490-1644-1-ND	C9, C11, C25	Ceramic capacitor 22000 pF 50 V 5 percent C0G 0805	3	Digikey
	732-8076-1-ND	Substitute			
6	478-1403-1-ND	C10, C13, C26	Ceramic capacitor 0.47 μ F 10 percent 16 V X7R 0805	3	Digikey
	732-7662-1-ND	Substitute			
7	490-1864-1-ND	C12, C16, C27	Ceramic capacitor 4.7 μ F 50 V 10 percent X7R 1210	3	Digikey
8	445-2685-1-ND	C14, C19, C28	Ceramic capacitor 8200 pF 50 V C0G 5 percent 0805	3	Digikey
9	PCC1982CT-ND	C15, C20, C29	Capacitor 330 pF 100 V ceramic X7R 0805	3	Digikey
10	478-3772-1-ND	C17, C21, C30	Ceramic capacitor 6800 pF 5 percent 50 V X7R 0805	3	Digikey
	732-8073-1-ND	Substitute			
11	478-3746-1-ND	C18, C22, C31	Ceramic capacitor 2200 pF 5 percent 100 V X7R 0805	3	Digikey
12	445-2378-1-ND	C32, C49	Ceramic capacitor 150 pF 3000 V C0G 10 percent 1812	2	Digikey
13	338-1178-ND	C34, C51	Capacitor 0.33 μ F 2000 V DC poly-film AXL	2	Digikey
14	PCE3995CT-ND	C35, C64, C65, C69, C79	Capacitor 10 μ F 16 V elect. FC SMD	5	Digikey
15	495-1311-ND	C36, C53	0.1 μ F Film Capacitor 200 V 400 V Polypropylene (PP), Metallized Radial	2	Digikey

Bill of Materials (BOM)

No.	Part number	Designator	Description	Quantity	Vendor
16	PCC2009CT-ND	C38, C42, C56, C60	Ceramic capacitor AMIC 1000 pF 200 V NP0 1206	4	Digikey
17	PCC1931CT-ND	C39, C57	Capacitor 2.2 μ F 16 V ceramic X7R 1206	2	Digikey
18	478-1281-1-ND	C40, C58	Ceramic capacitor 33 pF 5 percent 100 V NP0 0805	2	Digikey
19	445-1432-1-ND	C41, C43, C59, C61	Ceramic capacitor 3.3 μ F 50 V X7R 20 percent 1210	4	Digikey
20	565-1161-ND	C45, C46, C47, C48	Capacitor 1200 μ F 100 V elect. SMG RAD	4	Digikey
21	PCC1812CT-ND	C62, C63, C68, C78	Capacitor .1 μ F 16 V ceramic X7R 0805	4	Digikey
	732-8045-1-ND	Substitute			
22	1189-4150-ND	C66	Aluminum capacitor 220 μ F 20 percent 10 V radial	1	Digikey
23	445-1418-1-ND	C67	Ceramic capacitor 0.10 μ F 100 V X7R 10 percent 0805	1	Digikey
24	PCC101CGCT-ND	C70	Capacitor 100 pF 50 V ceramic chip 0805 SMD	1	Digikey
	732-8062-1-ND	Substitute			
25	493-1042-ND	C71	Capacitor 330 μ F 16 V elect. VR radial	1	Digikey
26	445-2322-1-ND	C72, C73	Ceramic capacitor 2200 pF 100 V C0G 5 percent 0805	2	Digikey
27	PCC103BNCT-ND	C80	Capacitor 10000 pF 50 V ceramic chip 0805	1	Digikey
	732-8074-1-ND	Substitute			
28	732-8065-1-ND	C107	Ceramic capacitor 330 pF 50 V X7R 0805	1	Digikey
29	B180DICT-ND	D1, D2, D4	Schottky diode 80 V 1 A SMA	3	Digikey
30	B1100-FDICT-ND	D3	Schottky diode 100 V 1 A SMA	1	Digikey
31	641-1166-1-ND	D5, D6, D13, D14	Standard diode 2 A 400 V SMB	4	Digikey
32	1N4148WDICT-ND	D7, D8, D9, D10, D12, D15, D16, D17	Switch diode 100 V 400 MW SOD-123	8	Digikey
33	1N5819HW-FDICT-ND	D11, D18	Schottky diode 40 V 1 A SOD-123	2	Digikey
34	1N4148WTPMSCT-ND	D19, D20, D21, D22	Switch diode 100 V 150 MA SOD-123	4	Digikey

Bill of Materials (BOM)

No.	Part number	Designator	Description	Quantity	Vendor
35	RS1DB-FDICT-ND	D23	Fast diode rec. 200 V 1 A SMB	1	Digikey
36	277-1271-ND	J1, J5	Conn. term. block 2-pos. 9.52 mm PCB	2	Digikey
37	A26453-ND	J2	Conn. recept. 6-pos .100 vert. dual	1	Digikey
38	277-1272-ND	J3	Conn. term. block 3-pos. 9.52 mm PCB	1	Digikey
39	A26454-ND	J4	Conn. recept. 8-pos .100 vert. dual	1	Digikey
40	A32248-ND	J6	Conn. jack BNC R/A 50 Ω PCB tin	1	Digikey
41	CP-1418-ND	J7, J9	Conn. RCA jack R/A black PCB	2	Digikey
42	N/A	J8	Terminal block 7.50 mm vert. 2-pos	1	Digikey
43	A26453-ND	J10	Conn. recept. 6-pos .100 vert. dual	1	Digikey
44	513-1051-1-ND	L1, L2, L3	Inductor shield PWR 470 μH SMD	3	Digikey
45	7G31A-220M-R	L4, L5	Class D inductor 22 μH	2	Inductors, Inc
	CPD3119-220M	Substitute			CODACA
46	160-1143-ND	NORMAL1	LED 3 mm green transparent	1	Digikey
	732-5008-ND	Substitute			
47	N/A	P1	Power MOSFET photovoltaic relay	1	Infineon
48	160-1140-ND	PROTECTION1	LED 3 mm hi-eff red transparent	1	Digikey
	732-5006-ND	Substitute			
49	FZT855CT-ND	Q1, Q3	Transistor NPN 150 V 4000 MA SOT-223	2	Digikey
50	MMBTA92DICT-ND	Q2	Transistor PNP -300 V SOT-23	1	Digikey
51	MMBT5401DICT-ND	Q7, Q10, Q13	Transistor 150 V 350 MW PNP SMD SOT-23	3	Digikey
52	MMBT5551-7DICT-ND	Q8, Q9, Q11, Q12, Q14, Q15, Q17	Transistor 160 V 350 MW NPN SMD SOT-23	7	Digikey
53	PZT2222ACT-ND	Q18	Transistor amp NPN GP 40 V 0.5 A SOT-223	1	Digikey
54	PZT2907AT1GOSCT-ND	Q20	Transistor SS SW PNP 600 MA 60 V SOT-223	1	Digikey
55	PT10XCT-ND	R1, R4, R9, R14, R30	Resistor 10 Ω 1 W 5 percent 2512 SMD	5	Digikey

Bill of Materials (BOM)

No.	Part number	Designator	Description	Quantity	Vendor
56	P10KACT-ND	R2, R3, R5, R7, R84, R92, R99	Resistor 10 k Ω 1/8 W 5 percent 0805 SMD	7	Digikey
57	P20KACT-ND	R6, R142	Resistor 20 k Ω 1/8 W 5 percent 0805 SMD	2	Digikey
58	P47ACT-ND	R56, R79, R82, R88, R101, R107, R133, R134, R135	Resistor 47 Ω 1/8 W 5 percent 0805 SMD	9	Digikey
59	RHM8.66KCRCT-ND	R10	Resistor 8.66 k Ω 1/8 W 1 percent 0805 SMD	1	Digikey
60	P18.7KCCT-ND	R11, R17, R32	Resistor 18.7 k Ω 1/8 W 1 percent 0805 SMD	3	Digikey
61	P1.00KCCT-ND	R13	Resistor 1.00 k Ω 1/8 W 1 percent 0805 SMD	1	Digikey
62	P4.7KCCT-ND	R15, R31	Resistor 4.70 k Ω 1/8 W 1 percent 0805 SMD	2	Digikey
63	P20.5KCCT-ND	R16, R19, R37	Resistor 20.5 k Ω 1/8 W 1 percent 0805 SMD	3	Digikey
64	P1.00KCCT-ND	R18, R36	Resistor 1.00 k Ω 1/8 W 1 percent 0805 SMD	2	Digikey
65	P100KACT-ND	R20, R21, R22, R47, R53, R60, R61, R87, R91, R108, R109, R112, R116, R117, R118, R119, R132, R136	Resistor 100 k Ω 1/8 W 5 percent 0805 SMD	15	Digikey
66	PPC100KW-3JCT-ND	R38, R62	Resistor 100 k Ω metal film 3 W 5 percent	2	Digikey
67	P1.0KECT-ND	R39, R63	Resistor 1.0 k Ω 1/4 W 5 percent 1206 SMD	2	Digikey
68	P3.3KZCT-ND	R40, R64	Resistor 3.3 k Ω 1/10 W 0.1 percent 0805 SMD	2	Digikey
69	P22KACT-ND	R41, R55, R57, R65, R67, R73	Resistor 22 k Ω 1/8 W 5 percent 0805 SMD	6	Digikey
70	P0.0ACT-ND	R42, R66	Resistor 0.0 Ω 1/8 W 5 percent 0805 SMD	2	Digikey
71	PT2.2KXCT-ND	R43, R68	Resistor 2.2 k Ω 1 W 5 percent 2512 SMD	2	Digikey
72	PT10XCT-ND	R45, R70	Resistor 10 Ω 1 W 5 percent 2512 SMD	2	Digikey
73	311-470ARCT-ND	R46, R71	Resistor 470 Ω 1/8 W 5 percent 0805 SMD	2	Digikey
74	P4.7ACT-ND	R48, R54, R72, R78	Resistor 4.7 Ω 1/8 W 5 percent 0805	4	Digikey
75	3361P-102GCT-ND	R49, R74	Trimpot 1 k Ω 6 mm ² SMD	2	Digikey

Bill of Materials (BOM)

No.	Part number	Designator	Description	Quantity	Vendor
76	P100ECT-ND	R50, R75, R80, R90, R94	Resistor 100 Ω 1/4 W 5 percent 1206 SMD	5	Digikey
77	P1.0KACT-ND	R51, R52, R76, R77, R104, R106, R121, R138	Resistor 1.0 k Ω 1/8 W 5 percent 0805 SMD	8	Digikey
78	P200KACT-ND	R58, R59	Resistor 200 k Ω 1/8 W 5 percent 0805 SMD	2	Digikey
79	P33KACT-ND	R81	Resistor 33 k Ω 1/8 W 5 percent 0805 SMD	1	Digikey
80	P47KACT-ND	R83, R86, R93, R95, R96, R105, R111, R123, R129, R139, R140	Resistor 47 k Ω 1/8 W 5 percent 0805 SMD	11	Digikey
81	P68KACT-ND	R85, R97	Resistor 68 k Ω 1/8 W 5 percent 0805 SMD	2	Digikey
82	P4.7KACT-ND	R89	Resistor 4.7 k Ω 1/8 W 5 percent 0805 SMD	1	Digikey
83	P100ACT-ND	R98, R114, R131	Resistor 100 Ω 1/8 W 5 percent 0805 SMD	3	Digikey
84	3362H-502LF-ND	R100	Pot 5.0 k Ω 1/4 in. square ceramic SL ST	1	Digikey
85	P330ACT-ND	R102	Resistor 330 Ω 1/8 W 5 percent 0805 SMD	1	Digikey
86	P82KACT-ND	R103	Resistor 82 k Ω 1/8 W 5 percent 0805 SMD	1	Digikey
87	P5.76KFCT-ND	R110, R113, R120, R124, R126, R127	Resistor 5.76 k Ω 1/4 W 1 percent 1206 SMD	6	Digikey
88	P10ECT-ND	R115	Resistor 10 Ω 1/4 W 5 percent 1206 SMD	1	Digikey
89	P0.0ECT-ND	R122, R128	Resistor 0 Ω 1/4 W 5 percent 1206 SMD	2	Digikey
90	P3G7103-ND	R130	Pot 10 k Ω 9 mm vert. metal bushing	1	Digikey
91	RMCF1/100RCT-ND	R141, R148, R151	Resistor 0.0 Ω 1/8 W 0805 SMD	3	Digikey
92	P47.5KCCT-ND	R144, R145, R146	Resistor 47.5 k Ω 1/8 W 1 percent 0805 SMD	3	Digikey
93	PT10XCT-ND	R147, R149, R150	Resistor 10 Ω 1 W 5 percent 2512 SMD	3	Digikey
94	open	R152	0 Ω for 1 kW	1	Digikey
95	P0.0ACT-ND	R153	Resistor 1.0 k Ω 1/8 W 5 percent 0805 SMD	1	Digikey
96	311-1.0KARCT-ND	R154, R155	Resistor 1.0 k Ω 1/8 W 5 percent 0805 SMD	2	Digikey
97	open	R156, R157	Bypass vol. ctrl	2	

Bill of Materials (BOM)

No.	Part number	Designator	Description	Quantity	Vendor
98	EG1944-ND	S1, S2	Slide switch DP3T 0.2 A L = 6 mm	2	Digikey
99	P8010S-ND	S3	6 mm light touch SW H = 5	1	Digikey
100	LM5574MT-ND	U2, U3, U4	IC reg. buck 75 V 0.5 A 16-TSSOP	3	Digikey
101	IRF7380	U5, U9	80 V dual n-MOSFET SO8	2	Infineon
102	AD825ARZ-ND	U6, U11	IC amp JFET HS GEN-PURP 8-SOIC	2	Digikey
103	FMG4AT148CT-ND	U7, U10	Transistor 2NPN pre-bias 0.3 W SMT5	2	Digikey
104	296-1089-1-ND	U8, U12	IC single inverter gate SOT23-5	2	Digikey
105	296-11643-1-ND	U13	Dual 4-bit binary counters	1	Digikey
106	CTX290CT-ND	U14	XTAL OSC XO 1.5440 MHZ HCMOS TTL	1	Digikey
107	296-1194-1-ND	U_1	IC HEX SCHMITT-TRIG INV 14-SOIC	1	Digikey
108	3310IR02	U_2	Standalone controller	1	Tachyonix
109	598-1599-ND	U_3	Amplifiers – audio stereo digital volume control	1	Digikey/Mouser
110	BZT52C15-7DICT-ND	Z1	Zener diode 15 V 500 mW SOD-123	1	Digikey
111	MMSZ5263BT1OSCT-ND	Z2, Z3	Zener diode 500 mW 56 V SOD-123	2	Digikey
112	BZT52C5V1-7DICT-ND	Z4	Zener diode 5.1 V 500 mW SOD-123	1	Digikey
113	BZT52C15-FDICT-ND	Z5, Z6	Zener diode 500 mW 15 V SOD123	2	Digikey
114	BZT52C18-FDICT-ND	Z7	Zener diode 500 mW 18 V SOD123	1	Digikey
115	BZT52C36-7DICT-ND	Z8	Zener diode 36 V 500 mW SOD-123	1	Digikey
116	MMSZ5268BT1GOSCT-ND	Z9	Zener diode 82 V 500 mW SOD-123	1	Digikey
117	BZT52C5V6-FDICT-ND	Z10, Z12	Zener diode 5.6 V 500 mW SOD123	2	Digikey

Bill of Materials (BOM)

Table 10 Daughterboard BOM

No.	Part number	Designator	Description	Quantity	Vendor
1	445-2276-1-ND	C1A, C1B, C3A, C3B	Ceramic capacitor 47000 pF 100 V X7R 10 percent 0805	4	Digikey
2	PCC470CGCT-ND	C2A, C2B	Capacitor 47 pF 50 V ceramic chip 0805 SMD	2	Digikey
	1276-1156-1-ND	Substitute			
3	399-9725-1-ND	C4A, C4B	Tantalum capacitor 33 μ F 16 V 10 percent SMD	2	Digikey
4	587-1329-1-ND	C5A, C5B, C7A, C7B	Ceramic capacitor 2.2 μ F 25 V X7R 1206	4	Digikey
	732-7571-1-ND	Substitute			
5	490-14441-2-ND	C6A, C6B	Ceramic capacitor 10 μ F 25 V X7R 1206	2	Digikey
	732-7700-1-ND	Substitute			
6	493-2263-1-ND	C8A, C8B	Aluminum capacitor 150 μ F 20 percent 16 V SMD	2	Digikey
7	DNP	C9A, C9B, C10A, C10B	NM	4	Digikey
8	399-7867-1-ND	C11A, C11B, C12A, C12B	Ceramic capacitor 1800 pF 50 V X7R 0603	4	Digikey
9	445-2296-1-ND	C13A, C13B	Ceramic capacitor .22 μ F 250 V X7R 10 percent 1210	2	Digikey
10	445-2300-1-ND	C14A, C14B, C15A, C15B	Ceramic capacitor .10 μ F 630 V X7R 10 percent 1812	4	Digikey
11	1N4148WTPMSCT-ND	D1A, D1B	Switch diode 100 V 150 mA SOD-123	2	Digikey
12	B130LAW-FDICT-ND	D2A, D2B	Schottky diode 1 A 30 V SOD-123	2	Digikey
13	RF071M2SCT-ND	D3A, D3B, D4A, D4B	General-purpose diode 200 V 700 mA PMDU	4	Digikey
14	BAV199-FDICT-ND	D5A, D5B, D6A, D6B	General-purpose diode array 85 V 140 mA SOT- 23-3	4	Digikey
15	RF071M2SCT-ND	D7A, D7B	General-purpose diode 200 V 700 mA PMDU	2	Digikey
16	IRS20957SPBFTRPBFACT- ND	IC1A, IC1B	IC gate driver	2	Digikey
17	SAM1030-03-ND	J1, J2	Conn. recept. 6-pos .100 vert. dual	2	Digikey
	732-5295-ND	Substitute for J1, J2			

Bill of Materials (BOM)

No.	Part number	Designator	Description	Quantity	Vendor
18	SAM1030-04-ND	J3	Conn. recept. 8-pos .100 vert. dual	2	Digikey
	732-5296-ND	Substitute for J3			
19	MMBT5551-7DICT-ND	Q1A, Q1B	Transistor 160 V 300 mW NPN SMD SOT-23	2	Digikey
20	MMBT5401DICT-ND	Q2A, Q2B	Transistor 150 V 300 mW PNP SMD SOT-23	2	Digikey
21	DNP	Q3A, Q3B, Q4A, Q4B	NM	4	Digikey
22	DNP	Q5A, Q5B, Q6A, Q6B	NM	4	Digikey
23	IGT40R070D1	Q7A, Q7B, Q8A, Q8B	400 V CoolGaN™ TOLL	4	Infineon
24	P100KACT-ND	R1A, R1B, R3A, R3B, R5A, R5B	Resistor 100 kΩ 1/8 W 5 percent 0805 SMD	6	Digikey
25	P0.0ACT-ND	R2A, R2B, R21A, R21B, R22A, R22B	Resistor 0.0 Ω 1/8 W 5 percent 0805 SMD	6	Digikey
26	P10KACT-ND	R4A, R4B, R16A, R16B	Resistor 10K 1 Ω 8 W 5 percent 0805 SMD	4	Digikey
27	2019- RK73H1JTTD1002FCT- ND	R28A, R28B, R29A, R29B	Resistor 10 K Ω 1/10 W 1 percent 00603 SMD	4	Digikey
28	P100ACT-ND	R6A, R6B	Resistor 100 Ω 1/8 W 5 percent 0805 SMD	2	Digikey
29	P1.0KACT-ND	R7A, R7B	Resistor 1.0 kΩ 1/8 W 5 percent 0805 SMD	2	Digikey
30	RHM6.2KCPCT-ND	R8A, R8B	Resistor 6.2 kΩ 1/8 W 5 percent 0805 SMD	2	Digikey
31	P4.7KACT-ND	R9A, R9B	Resistor 4.7 kΩ 1/8 W 5 percent 0805 SMD	2	Digikey
32	P4.7KACT-ND	R10A, R10B	Resistor 4.7 kΩ 1/8 W 5 percent 0805 SMD	2	Digikey
33	311-18.0KCRCT-ND	R11A, R11B	Resistor 18 kΩ 1/4 W 5 percent 1206 SMD	2	Digikey
34	P10ACT-ND	R13A, R13B	Resistor 10 Ω 1/8 W 5 percent 0805 SMD	2	Digikey
35	P4.7ACT-ND	R14A, R14B	Resistor 4.7 Ω 1/8 W 5 percent 0805	2	Digikey
36	P33KACT-ND	R15A, R15B	Resistor 33 kΩ 1/8 W 5 percent 0805 SMD	2	Digikey
37	RHM6.2KCPCT-ND	R17A, R17B	Resistor 6.2 kΩ 1/8 W 5 percent 0805 SMD	2	Digikey
38	541-4143-6-ND	R18A, R18B	Resistor 3.3 kΩ 1/8 W 5 percent 0805 SMD	2	Digikey
39	DNP	R19A, R19B, R20A, R20B	NM	4	Digikey

Bill of Materials (BOM)

No.	Part number	Designator	Description	Quantity	Vendor
40	311-560HRCT-ND	R23A, R23B, R25A, R25B	Resistor SMD 560 Ω 1 percent 0.1 W 0603	4	Digikey
41	311-15GRCT-ND	R24A, R24B, R26A, R26B	Resistor SMD 15 Ω 1 percent 1/10 W 0603	4	Digikey
42	RMCF0805FT5R10CT-ND	R27A, R27B	Resistor SMD 5.1 Ω 1 percent 1/8 W 0805	2	Digikey
43	RMCF1206ZT0R00CT-ND	R30A, R30B	Resistor SMD 0.0 Ω jumper 1/4 W 1206	2	Digikey
44	P0.0GCT-ND	R31A, R31B, R32A, R32B	Resistor 0 Ω 0603	4	Digikey
45	490-6993-1-ND	RpA, RpB	Thermistors PTC temp. prot. 90°C	2	Digikey
46	MMSZ5242BT1GOSCT- ND	Z1A, Z1B	Zener diode 12 V 500 mW SOD-123	2	Digikey

Table 11 Mechanical BOM

No.	Part number	Description	Quantity	Vendor
1	BER229-ND	Thermal pad 8 x 16 x 0.080 inch GP1500		Digikey
2	DCC5837U-18B	Heatsink 57.9 x 36.8 x 17.8 mm	1	Alpha Novatech Inc.
3	S001YZ1H	PIP 3.175 x 8.5 [TH]	4	Alpha Novatech Inc.
4	S001YJ1D	Spring	4	Alpha Novatech Inc.

Revision history

Revision history

Document version	Date of release	Description of changes
V 1.0	2020-03-19	First release

Trademarks

All referenced product or service names and trademarks are the property of their respective owners.

Edition 2020-03-19

Published by

Infineon Technologies AG

81726 Munich, Germany

© 2022 Infineon Technologies AG.

All Rights Reserved.

Do you have a question about this document?

Email: erratum@infineon.com

Document reference

UM_1904_PL88_1910_133036

IMPORTANT NOTICE

The information given in this document shall in no event be regarded as a guarantee of conditions or characteristics ("Beschaffheitsgarantie").

With respect to any examples, hints or any typical values stated herein and/or any information regarding the application of the product, Infineon Technologies hereby disclaims any and all warranties and liabilities of any kind, including without limitation warranties of non-infringement of intellectual property rights of any third party.

In addition, any information given in this document is subject to customer's compliance with its obligations stated in this document and any applicable legal requirements, norms and standards concerning customer's products and any use of the product of Infineon Technologies in customer's applications.

The data contained in this document is exclusively intended for technically trained staff. It is the responsibility of customer's technical departments to evaluate the suitability of the product for the intended application and the completeness of the product information given in this document with respect to such application.

For further information on the product, technology, delivery terms and conditions and prices please contact your nearest Infineon Technologies office (www.infineon.com).

WARNINGS

Due to technical requirements products may contain dangerous substances. For information on the types in question please contact your nearest Infineon Technologies office.

Except as otherwise explicitly approved by Infineon Technologies in a written document signed by authorized representatives of Infineon Technologies, Infineon Technologies' products may not be used in any applications where a failure of the product or any consequences of the use thereof can reasonably be expected to result in personal injury.