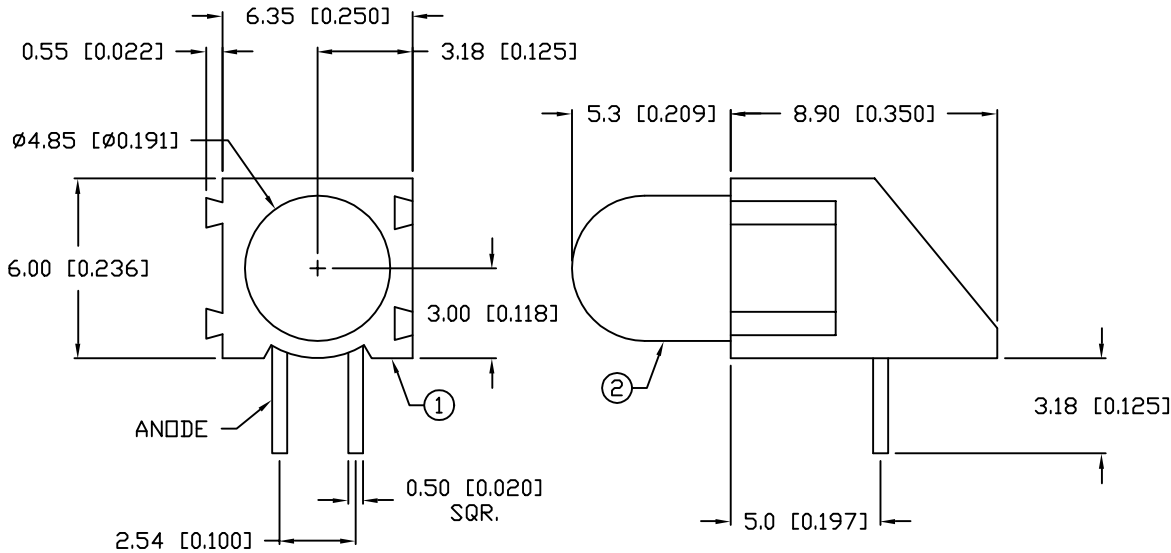


UNCONTROLLED DOCUMENT

PART NUMBER  
SSF-LXH100MID

REV.  
C

| REV. | E.C.N. NUMBER AND REVISION COMMENTS | DATE    |
|------|-------------------------------------|---------|
| A    | CHANGED LEAD LENGTH.                | 10-8-93 |
| B    | E.C.N. #10291.                      | 1-13-97 |
| C    | E.C.N. #10563.                      | 2-7-00  |



NOTES:

- SSH-LXH100M, BLACK NYLON HOLDER, 94V-0.
- SSL-LX509F3ID, RED LED.

ELECTRO-OPTICAL CHARACTERISTICS  $T_A=25^{\circ}\text{C}$   $I_f=20\text{mA}$

| PARAMETER          | MIN          | TYP | MAX | UNITS    | TEST COND            |
|--------------------|--------------|-----|-----|----------|----------------------|
| PEAK WAVELENGTH    |              | 635 |     | nm       |                      |
| FORWARD VOLTAGE    |              | 2.0 | 2.5 | $V_f$    |                      |
| REVERSE VOLTAGE    | 5.0          |     |     | $V_r$    | $I_r=100\mu\text{A}$ |
| AXIAL INTENSITY    |              | 30  |     | mcd      | $I_f=20\text{mA}$    |
| VIEWING ANGLE      |              | 60  |     | 2x theta |                      |
| EMITTED COLOR:     | RED          |     |     |          |                      |
| EPOXY LENS FINISH: | RED DIFFUSED |     |     |          |                      |

LIMITS OF SAFE OPERATION AT  $25^{\circ}\text{C}$

| PARAMETER                        | MAX        | UNITS                        |
|----------------------------------|------------|------------------------------|
| PEAK FORWARD CURRENT*            | 150        | mA                           |
| STEADY CURRENT                   | 30         | mA                           |
| POWER DISSIPATION                | 105        | mW                           |
| DERATE FROM $25^{\circ}\text{C}$ | -1.2       | $\text{mW}/^{\circ}\text{C}$ |
| OPERATING, STORAGE TEMP.         | -40 TO +85 | $^{\circ}\text{C}$           |
| SOLDERING TEMP.                  | +260       | $^{\circ}\text{C}$           |
| 2.0mm FROM BODY                  |            | 3 SEC. MAX                   |

\*  $t < 10\mu\text{s}$

\*UNLESS OTHERWISE SPECIFIED TOLERANCES PER DECIMAL PRECISION ARE: X=±1 (±0.039), X.X=±0.5 (±0.020), X.XX=±0.25 (±0.010). LEAD SIZE=±0.05(±0.002), LEAD LENGTH=±0.75 (±0.030). MIN= +DECIMAL PRECISION MAX.= +0.00 -DECIMAL PRECISION

UNCONTROLLED DOCUMENT

|           |                              |
|-----------|------------------------------|
| REV.<br>C | PART NUMBER<br>SSF-LXH100MID |
|-----------|------------------------------|

**CONFIDENTIAL INFORMATION**  
THE INFORMATION CONTAINED IN THIS DOCUMENT IS THE PROPERTY OF LUMEX INC. EXCEPT AS SPECIFICALLY AUTHORIZED IN WRITING BY LUMEX INC., THE HOLDER OF THIS DOCUMENT SHALL KEEP ALL INFORMATION CONTAINED HEREIN CONFIDENTIAL AND SHALL PROTECT SAME IN WHOLE OR IN PART FROM DISCLOSURE AND DISSEMINATION TO ALL THIRD PARTIES.



290 E. HELLEN ROAD  
PALATINE, ILLINOIS 60067  
PHONE: (847) 359-2790  
WEB: <http://www.lumex.com>

**RELIABILITY NOTE**  
OUR MANY YEARS OF EXPERIENCE DATA ACCUMULATION INDICATE THAT SOLDER HEAT IS A MAJOR CAUSE OF EARLY AND FUTURE FAILURE. PLEASE PAY ATTENTION TO YOUR SOLDERING PROCESS.

|                 |             |              |               |
|-----------------|-------------|--------------|---------------|
| DRAWN BY:<br>BC | CHECKED BY: | APPROVED BY: | DATE: 9-25-92 |
|                 |             |              | PAGE: 1 OF 1  |
|                 |             |              | SCALE: N/A    |

T-5mm (T-1 3/4) MATING RIGHT ANGLE FAULT INDICATOR,  
635nm RED LED, RED DIFFUSED LENS.