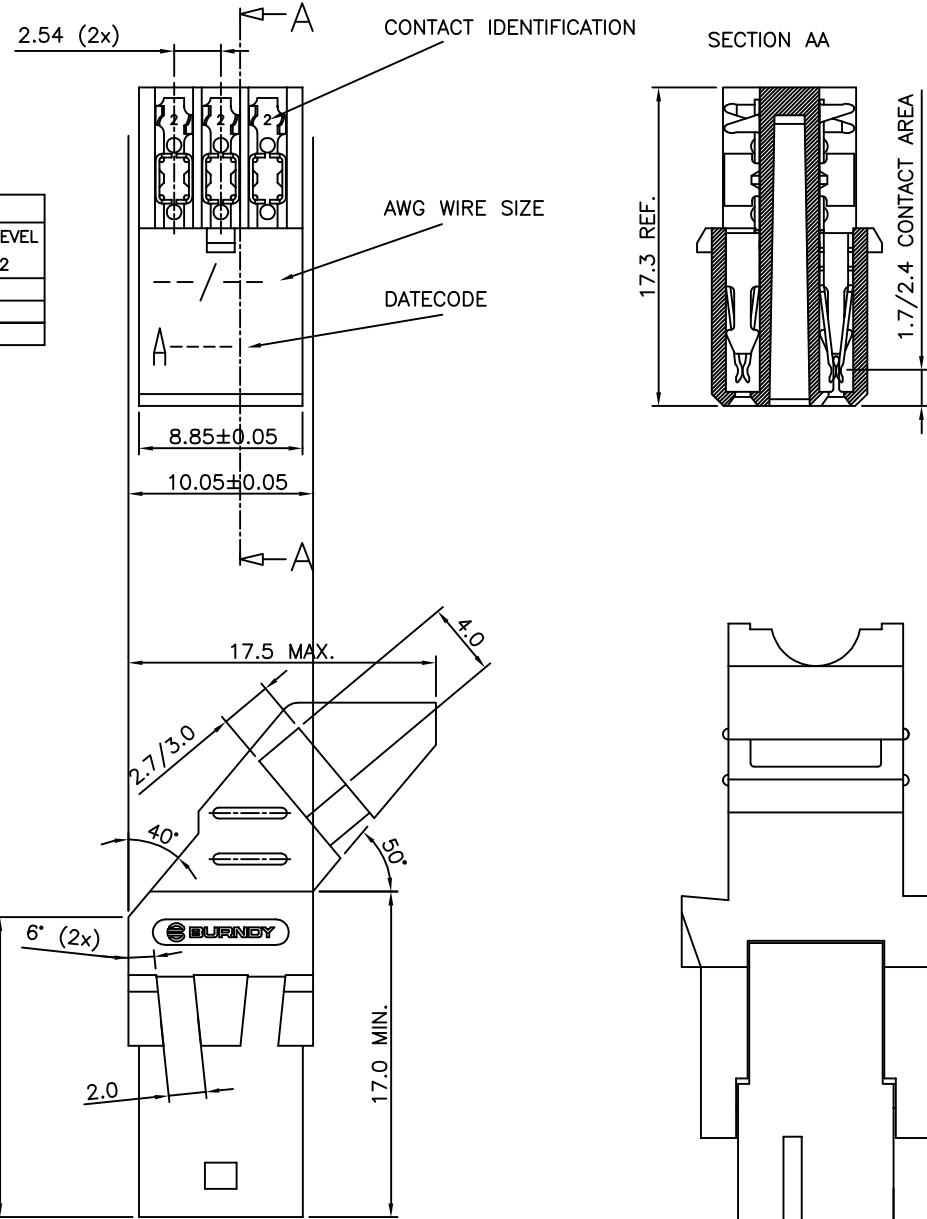


PRODUCT NUMBER BPS8B09ACD-CO---

WITH "LF" SUFFIX LEAD FREE OR RoHS COMPATIBLE PRODUCT  
 WITHOUT SUFFIX LEADED PRODUCT

PRODUCT NUMBER	WIRE SIZE	CONTACT IDENTIFICATION
BPS8B09ACD0C0--	AWG28/30	0
BPS8B09ACD2C0--	AWG24/26	2

PLATING CODE	PERFORMANCE LEVEL PER DIN41612
Z0	CLASS 3
Z1	CLASS 2
E9	CLASS 1



NOTES:-  
 1. THE "LF" PRODUCTS MEET EUROPEAN UNION DIRECTIVES AND OTHER COUNTRY REGULATIONS AS DESCRIBED IN GS-22-008  
 2. LEAD FREE OR RoHS DIRECTIVE LABELING TO BE PROVIDED AS PER GS-14-920 FOR RoHS COMPATIBLE VERSION.

PERFORMANCES CHARACTERISTICS

VOLTAGE RATING : 250 VAC (rms)  
 CURRENT RATING : 1,5 A AT 25 °C, 1 A AT 70 °C.  
 INSULATION RESISTANCE : 1000 MΩ INITIAL, 100 MΩ MIN. AFTER TEST  
 DIELECTRIC WITH-  
 STANDING VOLTAGE : 1000 VAC (rms).  
 CONTACT RESISTANCE : 15 mΩ MAX. INITIAL, 5 mΩ MAX. RISE OF INITIAL VALUE AFTER TEST.  
 OPERATING TEMPERATURE\*: -40 °C TO +125 °C.  
 INSERTION FORCE : 1 N MAX./CONTACT.  
 WITHDRAWAL FORCE : 0,2 N MIN./CONTACT.  
 \*DEPENDING ON THE CABLE, THE MAX. TEMPERATURE CAN BE LOWER.  
 FOR STANDARD PVC INSULATED CABLE : 105 °C MAX.

CONSTRUCTION

BODY MATERIAL : GLASS-REINFORCED THERMOPLASTIC (UL94V-0).  
 COVER MATERIAL : POLYESTER (PBTP), COLOUR : BLACK.  
 CONTACT MATERIAL : PHOSPHOR BRONZE.  
 CONTACT FINISH : Au OVER Ni IN CONTACT AREA  
 SnPb ON I.D.C. TERMINAL FOR LEADED PRODUCTS.  
 Sn (MATTE TIN) ON I.D.C. TERMINAL FOR LEAD FREE PRODUCTS.

Z0 : PERFORMANCE LEVEL PER DIN41612 CLASS 3  
 Z1 : PERFORMANCE LEVEL PER DIN41612 CLASS 2  
 E9 : PERFORMANCE LEVEL PER DIN41612 CLASS 1  
 OTHERS : CONSULT FCI

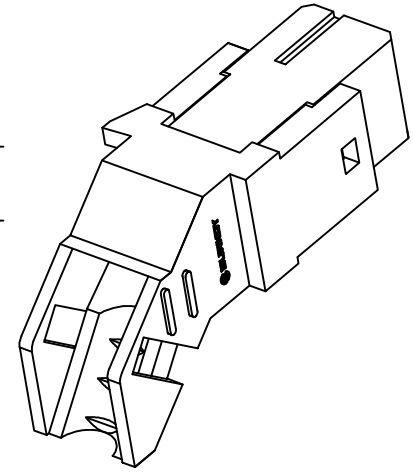
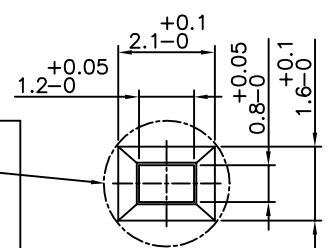
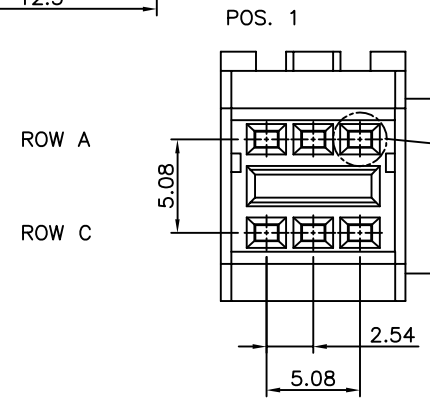
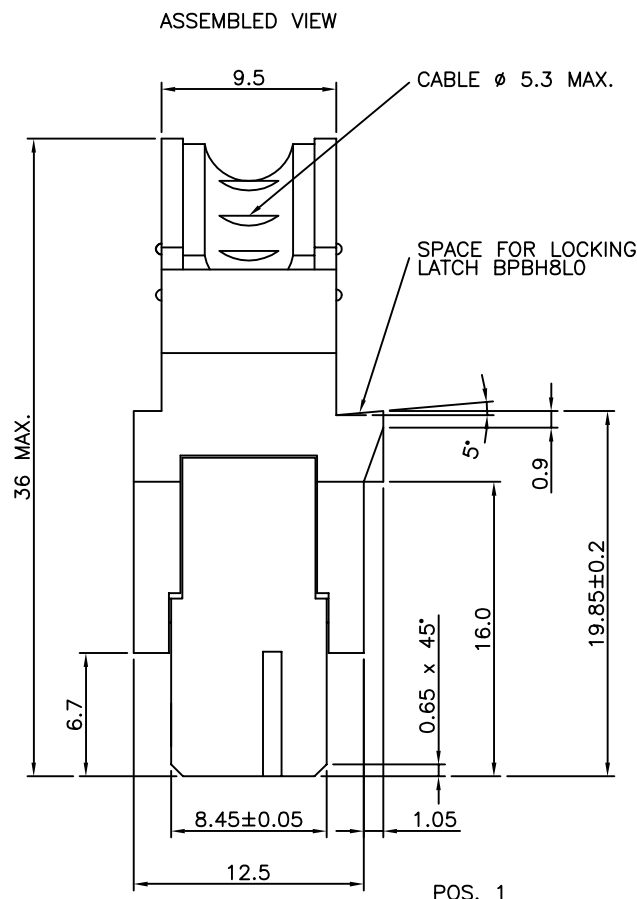
TIE-WRAP : OPTIONAL (PART N°. TF3)

AWG WIRE SIZE MARKING

BPS8B09ACD0C0-- : 28/30  
 BPS8B09ACD0C0--LF : 28/30  
 BPS8B09ACD2C0-- : 24/26  
 BPS8B09ACD0C0--LF : 24/26

DATECODE MARKING

A + YEAR & WEEKCODE, EXAMPLE : A9950.



mat'l. code		surface		tolerance		projection		product family	
SEE NOTE		ISO 1302		ISO 406 ISO 1101		mm		BPS8	
litr ecn no dr date		tolerances unless otherwise specified		angles linear		mm		title	
A F00819 DLE 2000-10-23		0.1±0.2		±1°		mm		ASSY BPS8	
B 105-0123 MINI 2005-07-27		0.01±0.1				mm		09 POS. A,C LOADED	
C 106-0067 MINI 2006-06-01						scale -			
		dr D.LEGRAND 2000-10-23				FCI		dwg no sheet 1 of 2 size	
		enr J.F.NOTTEAU 2000-10-23						55349 A3	
		chr RAKHEE GEORGE 2006-06-01						type Product Customer Drawing	
		appd RAKHEE GEORGE 2006-06-01							
sheet index		revision sheet		C C					
		1 2							



Copyright FCI

PRODUCT NUMBER BPS8B09ACD-00-----

WITH "LF" SUFFIX	LEAD FREE OR RoHS COMPATIBLE PRODUCT
WITHOUT SUFFIX	LEADED PRODUCT

WIRE ACCOMODATION		
PRODUCT NUMBER	WIRE SIZE	CONTACT IDENTIFICATION
BPS8B09ACD000--	AWG28/30	0
BPS8B09ACD200--	AWG24/26	2

CONTACT PLATING	
PLATING CODE	PERFORMANCE LEVEL PER DIN41612
Z0	CLASS 3
Z1	CLASS 2
E9	CLASS 1

NOTES:-

1. THE "LF" PRODUCTS MEET EUROPEAN UNION DIRECTIVES AND OTHER COUNTRY
2. LEAD FREE OR RoHS DIRECTIVE LABELING TO BE PROVIDED AS PER GS-14-920 FOR RoHS COMPATIBLE VERSION.

PERFORMANCES CHARACTERISTICS

VOLTAGE RATING : 250 VAC (rms)  
 CURRENT RATING : 1,5 A AT 25 °C, 1 A AT 70 °C.  
 INSULATION RESISTANCE : 1000 MΩ INITIAL, 100 MΩ MIN. AFTER TEST  
 DIELECTRIC WITH-  
 STANDING VOLTAGE : 1000 VAC (rms).  
 CONTACT RESISTANCE : 15 mΩ MAX. INITIAL, 5 mΩ MAX. RISE OF INITIAL VALUE AFTER TEST.  
 OPERATING TEMPERATURE\*: -40 °C TO +125 °C.  
 INSERTION FORCE : 1 N MAX./CONTACT.  
 WITHDRAWAL FORCE : 0,2 N MIN./CONTACT.

\*DEPENDING ON THE CABLE, THE MAX. TEMPERATURE CAN BE LOWER.  
 FOR STANDARD PVC INSULATED CABLE : 105 °C MAX.

CONSTRUCTION

BODY MATERIAL : GLASS-REINFORCED THERMOPLASTIC (UL94V-0).  
 CONTACT MATERIAL : PHOSPHOR BRONZE.  
 CONTACT FINISH : Au OVER Ni IN CONTACT AREA  
 SnPb ON I.D.C. TERMINAL FOR LEADED PRODUCTS.  
 Sn (MATTE TIN) ON I.D.C TERMINAL FOR LEAD FREE PRODUCTS.  
 Z0 : PERFORMANCE LEVEL PER DIN41612 CLASS 3  
 Z1 : PERFORMANCE LEVEL PER DIN41612 CLASS 2  
 E9 : PERFORMANCE LEVEL PER DIN41612 CLASS 1  
 OTHERS : CONSULT FCI

PART NUMBERS

BPS8B09ACD000----- CONNECTOR FOR WIRE SIZE AWG28, AWG30.  
 (CONTACT IDENTIFICATION : 0).

BPS8B09ACD200----- CONNECTOR FOR WIRE SIZE AWG24, AWG26  
 (CONTACT IDENTIFICATION : 2).

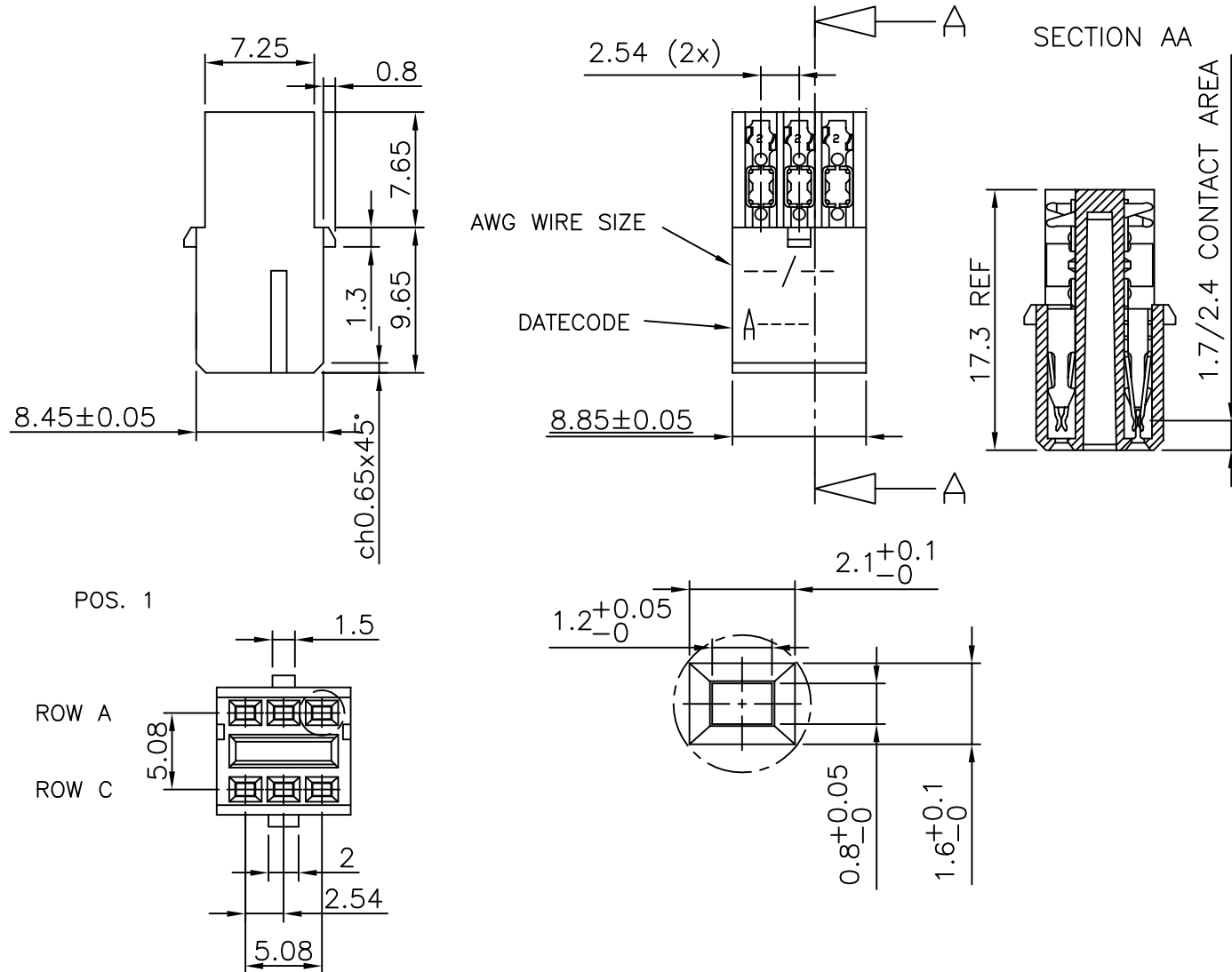
AWG WIRE SIZE MARKING

BPS8B09ACD000-- : 28/30  
 BPS8B09ACD000--LF : 28/30  
 BPS8B09ACD200-- : 24/26  
 BPS8B09ACD200--LF : 24/26

DATECODE MARKING

A + YEAR & WEEKCODE, EXAMPLE : A9950.

CONTACT IDENTIFICATION



mat'l. code		surface		tolerance		projection		product family	
SEE NOTE		ISO 1302		ISO 406 ISO 1101		mm		BPS8	
litr		ecn no		dr		date		title	
A		F00819		DLE		2000-10-19		ASSY BPS8	
B		I05-0123		MINI		2005-07-27		09 POS. A,C LOADED	
C		I06-0067		MINI		2006-06-01		scale -	
				dr		D.LEGRAND		2000-10-19	
				enr		J.F.NOTTEAU		2000-10-19	
				chr		RAKHEE GEORGE		2006-06-01	
				appd		RAKHEE GEORGE		2006-06-01	
sheet index		revision sheet		C		1		dwg no	
								sheet 2 of 2	
								55349	
								size	
								A3	
								type	
								Product Customer Drawing	