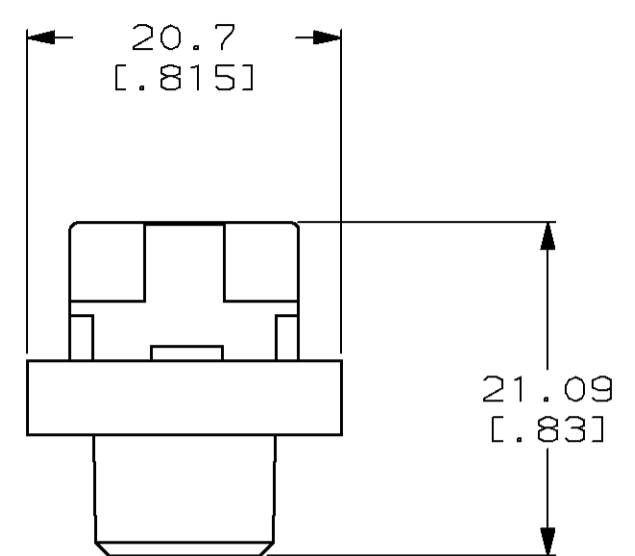
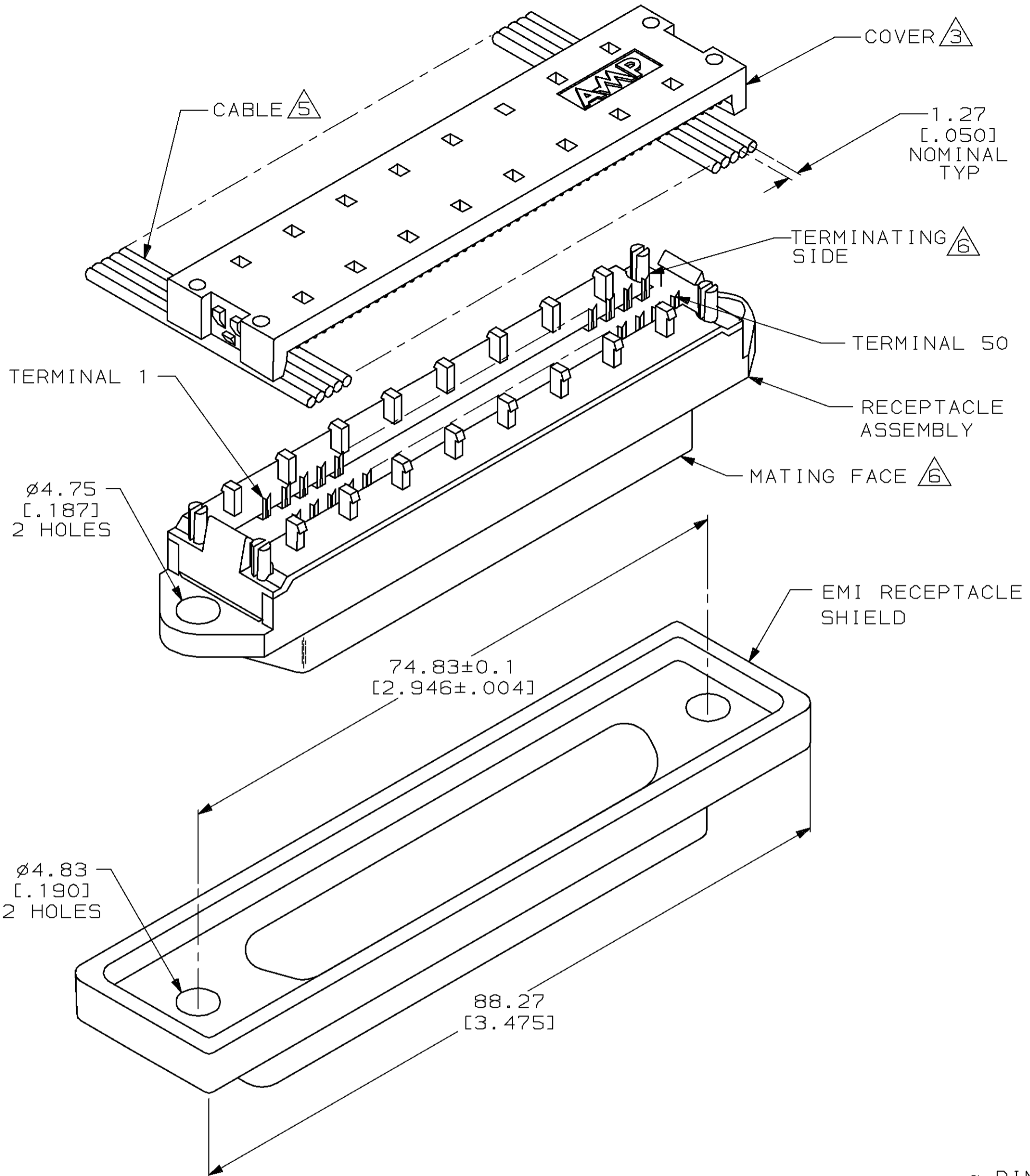


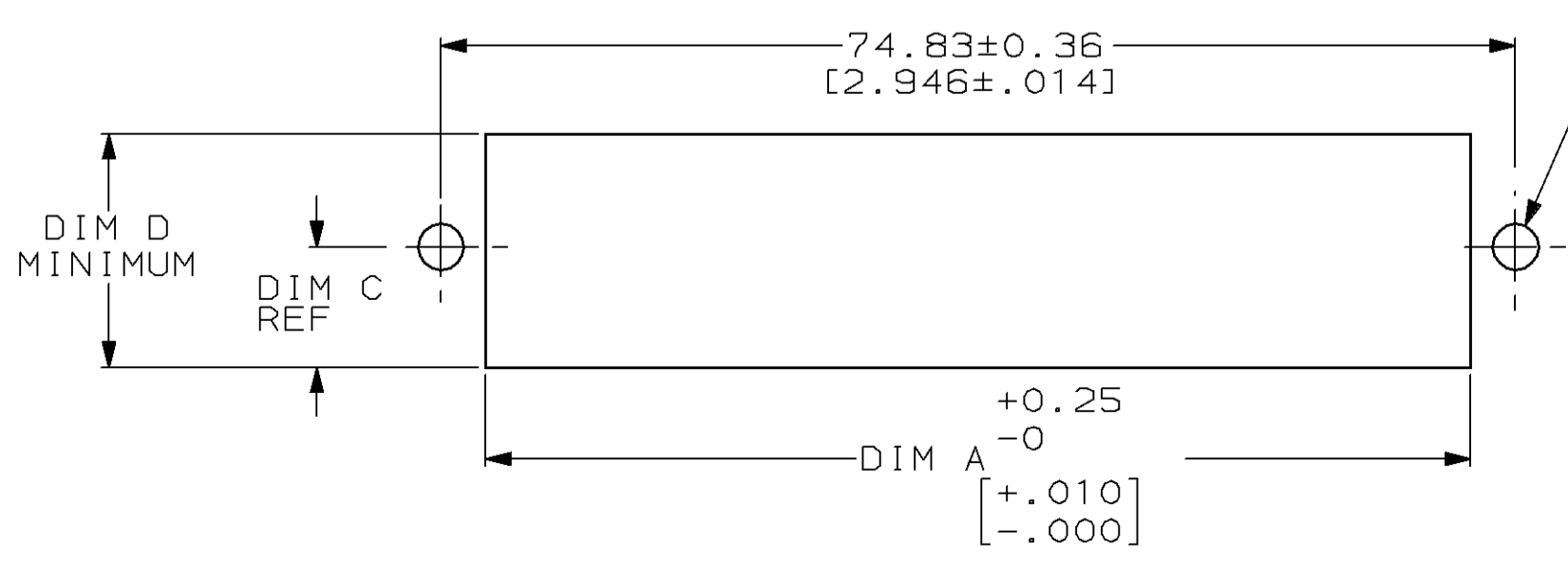
LOC		DIST		P		F		REVISIONS			
AA	20					ZONE	LTR	DESCRIPTION		DATE	APPD
							E	REDRAWN PER EC0210-0720-94		12-20-93	KBT CW



END VIEW

1. THE CONTACT SURFACES OF THE TERMINALS ARE COATED WITH LUBRICANT.
2. MATERIAL: HOUSING AND COVER - POLYPHENYLENE OXIDE (BLACK). TERMINALS - GOLD OVER NICKEL PLATED HIGH STRENGTH COPPER ALLOY ON MATING FACE AND GOLD FLASH OVER NICKEL PLATE ON TERMINATING SIDE.
3. COVER SHOWN LOOSE BUT SHIPPED ASSEMBLED.
4. WIRE RANGE: 26 AWG SOLID THRU 30 AWG SOLID AND 28 AWG STRANDED RIBBON CABLE.
5. FLAT CABLE SHALL BE FURNISHED BY CUSTOMER.
6. MATING FACE CONSISTS OF TWO ROWS OF TERMINALS ON 2.16 [.085] CENTERS. TERMINATING SIDE CONSISTS OF TERMINALS ON 2.54 [.100] CENTERS FOR AN EFFECTIVE 1.27 [.050] TERMINATION.
7. PANEL THICKNESS RANGE: OUTSIDE MOUNTING - 3.18 [.125] MAXIMUM. INSIDE MOUNTING - 1.58 [.062] MAXIMUM.
8. EMI SHIELD SHIPPED LOOSE.
9. ALL DIMENSIONS SHOWN ARE MAXIMUM UNLESS OTHERWISE SPECIFIED.

15.75 [.620]	7.87 [.310]	3.78 [.149]	68.58 [2.700]	REAR PANEL MOUNTING
16.26 [.640]	8.13 [.320]	3.2 [.126]	68.58 [2.700]	FRONT PANEL MOUNTING
DIM D	DIM C	DIM B	DIM A	DESCRIPTION



SUGGESTED PANEL CUTOUT

THIS DRAWING IS A CONTROLLED DOCUMENT FOR AMP INCORPORATED. IT IS SUBJECT TO CHANGE AND THE CONTROLLING ENGINEERING ORGANIZATION SHOULD BE CONTACTED FOR THE LATEST REVISION.

DO NOT SCALE PRINT. UNLESS SPECIFIED DIMENSIONS IN mm [INCHES] TOLERANCES ON: 2 PLC DEC ± - 3 PLC DEC ± - ANGLES ± -		DR 12-20-93 K. TILLMAN/UTA		554350-1 PART NO	
MATERIAL		CHK 9-2-94 C. WHITT		AMP Incorporated Harrisburg, PA 17105-3608 NAME EMI RECEPTACLE ASSEMBLY, 50 POSITION, LOW PROFILE, SHIELDED, CHAMP LATCH	
FINISH		APPD 9-9-94 J. TRAMMEL			
PRODUCT SPEC		APPD 9-9-94 J. HARRIS		SIZE	
APPLICATION SPEC		108-6076		CAGE CODE	
WEIGHT		114-6030		DRAWING NO	
		SCALE 2:1		C=554350	
		SHEET		1 OF 1	