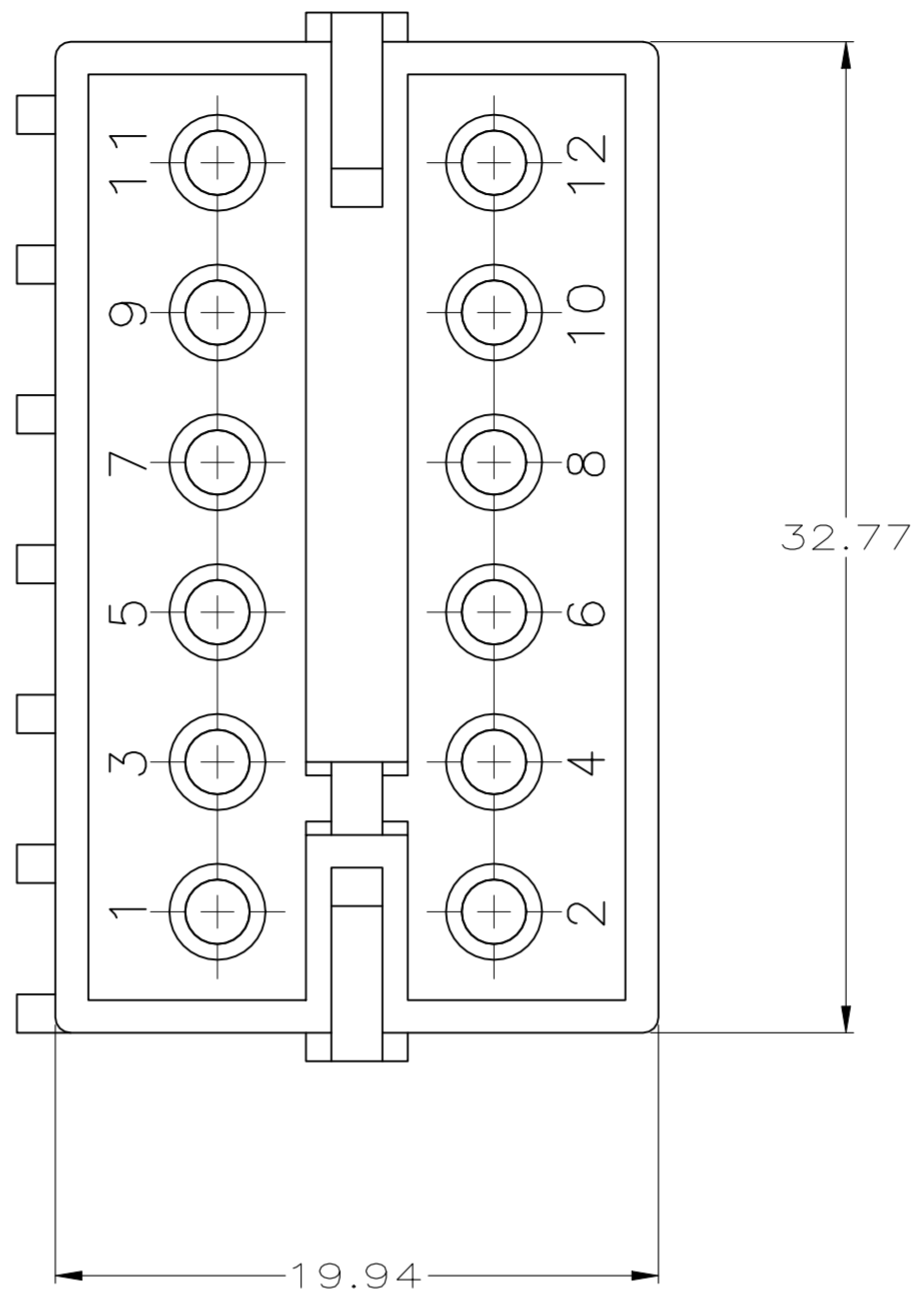
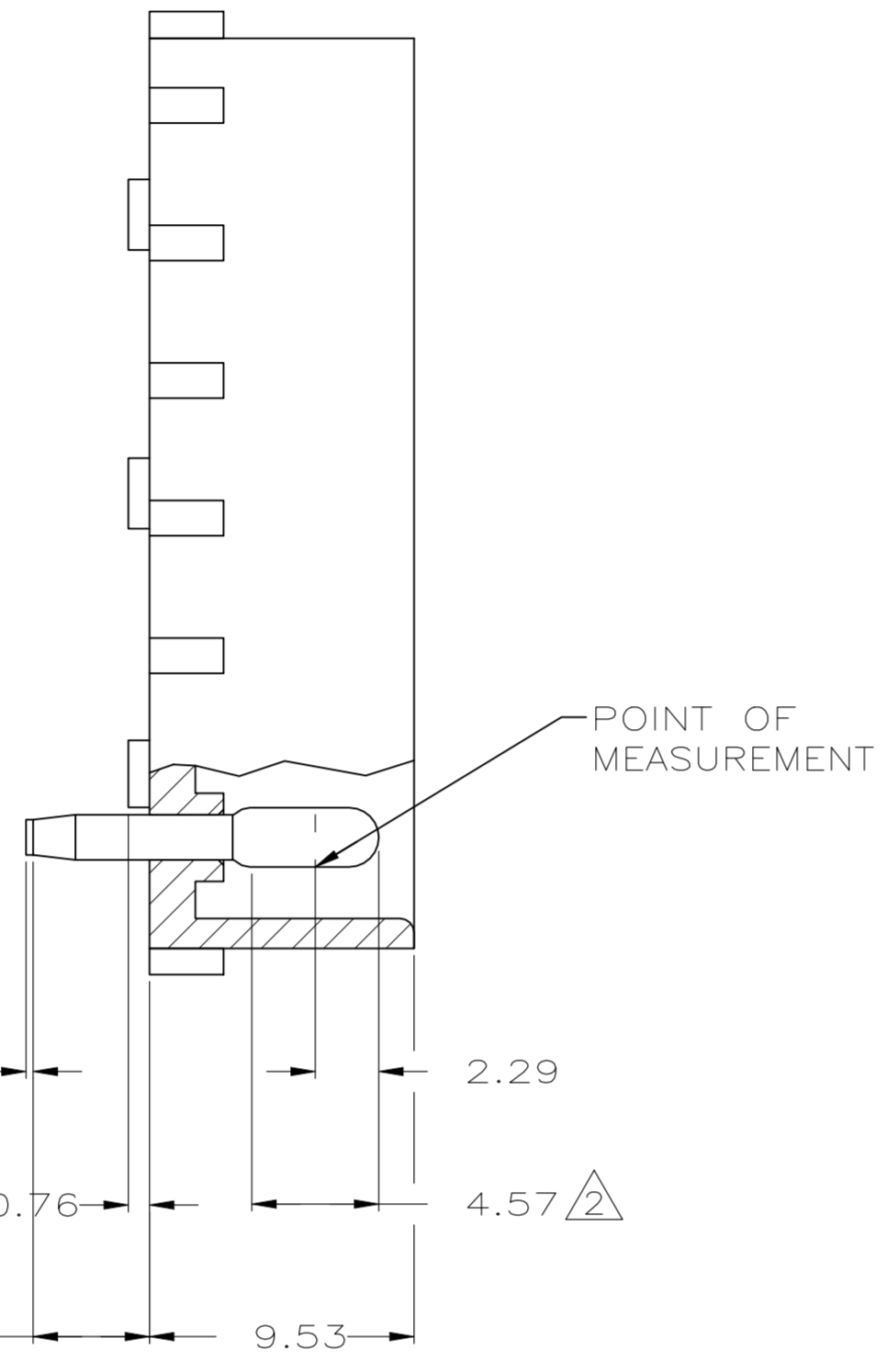
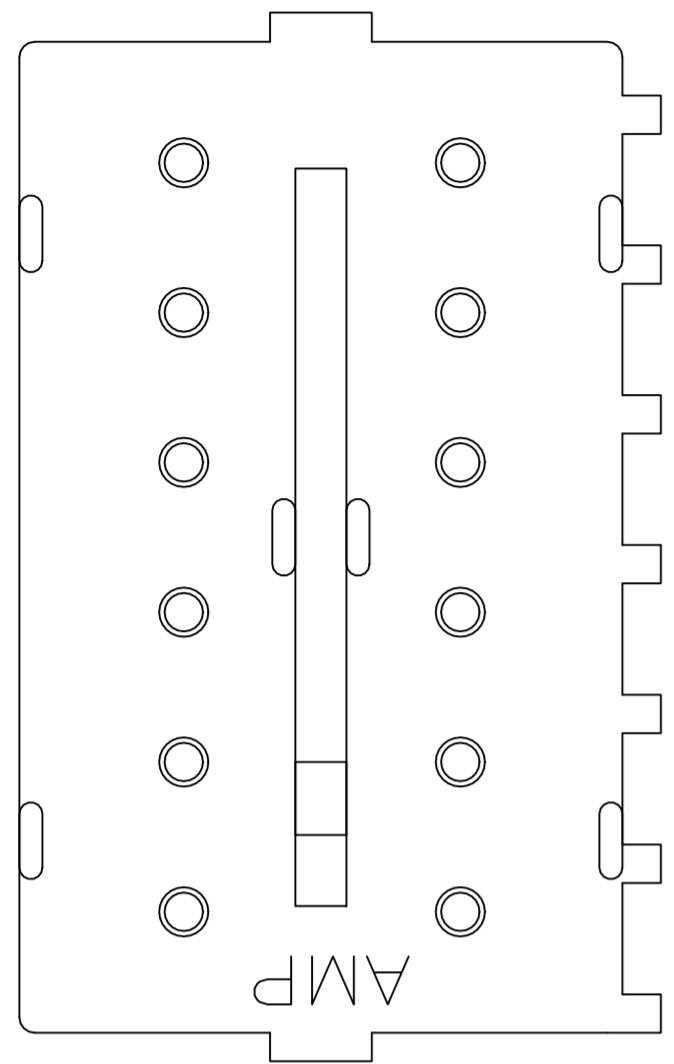
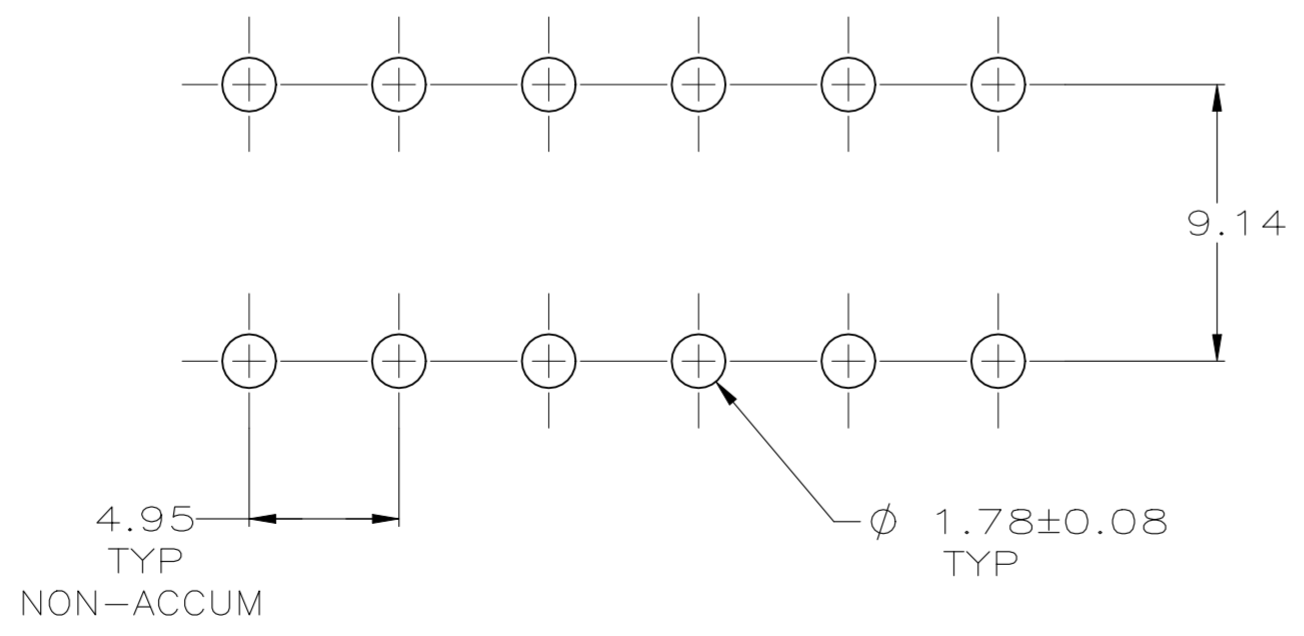


THIS DRAWING IS UNPUBLISHED. RELEASED FOR PUBLICATION  
 © COPYRIGHT BY TYCO ELECTRONICS CORPORATION. ALL RIGHTS RESERVED.

| LOC | DIST | REVISIONS   |                           |           |       |
|-----|------|-------------|---------------------------|-----------|-------|
| P   | LTR  | DESCRIPTION | DATE                      | DWN       | APVD  |
| CM  | 0    | A           | REVISED PER ECR-21-117185 | 25OCT2021 | PJ VS |



- PARTS COMPLY WITH AMP SOLDERABILITY SPEC 109-11-2.
- CONTACT IS PLATED OVERALL WITH 0.00127 NICKEL THEN 0.00076 GOLD OVER LENGTH INDICATED AND MATTE TIN ON SOLDER TAIL END.
- DIMENSION SHOWN REPRESENT PRODUCT IN DRY CONDITION. ADDITIONAL 2% GROWTH DUE TO END USE LOCATION MOISTURE ABSORPTION MAY OCCUR AND SHOULD BE ACCOUNTED FOR.



RECOMMENDED MOUNTING HOLE PATTERN FOR .062 THICK P.C. BOARD

|  |                  |                        |  |                 |
|--|------------------|------------------------|--|-----------------|
| CU ALLOY                               | $\Delta$         | NYLON, UL94V-0         | NATURAL  | 1586520-2       |
| MATERIAL                               | FINISH           | MATERIAL               | COLOR  | PART NO         |
| PIN                                    |                  | HOUSING                |  |                 |
| THIS DRAWING IS A CONTROLLED DOCUMENT. |                  | DWN S SCHLEGEL 7/28/05 | tyco Tyco Electronics Corporation                  |                 |
|  |                  | CHK D COLEY 7/28/05    | Harrisburg, Pa 17105-3608                          |                 |
| DIMENSIONS: mm                         |                  | APVD D COLEY 7/28/05   | NAME   |                 |
| TOLERANCES UNLESS OTHERWISE SPECIFIED: |                  | PRODUCT SPEC           | HEADER ASSEMBLY, 12 CIRCUIT, COMMERCIAL MATE-N-LOK |                 |
| 0 PLC ± -                              |                  | APPLICATION SPEC       | SIZE A2  | CAGE CODE 00779 |
| 1 PLC ± -                              |                  |                        | DRAWING NO C=1586520                               | RESTRICTED TO   |
| 2 PLC ± 0.13                           |                  | WEIGHT -               | SCALE 4:1  | SHEET 1 OF 1    |
| 3 PLC ± -                              |                  | CUSTOMER DRAWING       | REV A  |                 |
| 4 PLC ± -                              |                  |                        |  |                 |
| ANGLES ± -                             |                  |                        |  |                 |
| MATERIAL SEE TABLE                     | FINISH SEE TABLE |                        |  |                 |

1586520