

Item No. **AH1018BB**

DS26431

Rev.	Spec. No.	Date(M-D-Y)
0	P-R	Dec-03-08
1	T-R	Sep-21-11

1. Ratings

Parameter	Symbol	MIN	TYP	MAX	Unit
Operating Temperature	To	-40	—	+85	°C
Storage Temperature	Ts	-50	—	+85	°C
Filament Voltage	Ef #1	4.2	4.7	5.2	Vac
Grid Voltage	ec #2	—	26.0	31.0	Vp-p
Anode Voltage	eb #2	—	26.0	31.0	Vp-p
Color of illumination	Green (G)				

2. Electrical Characteristics

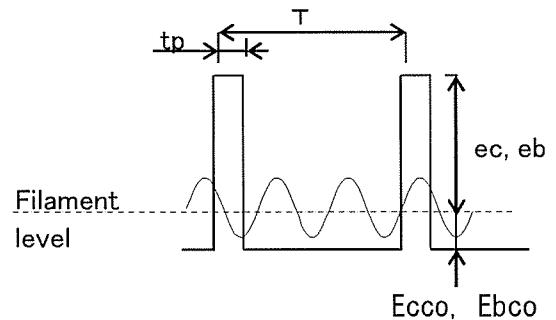
Parameter	Symbol	Test Conditions	MIN	TYP	MAX	Unit
Filament Current	If	Ef= 4.7 Vac #1 ec=eb= 0 V	33.0	37.0	41.0	mAac
Grid Current	ic #3	Ef= 4.7 Vac #1 ec= 26.0 Vp-p #2 eb= 26.0 Vp-p #2	—	2.5	5.0	mA _{p-p}
Anode Current	ib #3	Ef= 4.7 Vac #1 ec= 26.0 Vp-p #2 eb= 26.0 Vp-p #2	—	2.5	5.0	mA _{p-p}
Luminance	L	Ef= 4.7 Vac #1 ec= 26.0 Vp-p #2 eb= 26.0 Vp-p #2	350 (100)	— —	—	cd/m ² (fL)
Grid Cut-Off Voltage	Ecco #4	Ef= 4.7 Vac #1 Eb= 26.0 Vdc	-5.0	—	—	Vdc
Anode Cut-Off Voltage	Ebco #4	Ef= 4.7 Vac #1 ec= 26.0 Vp-p #2	-5.0	—	—	Vdc

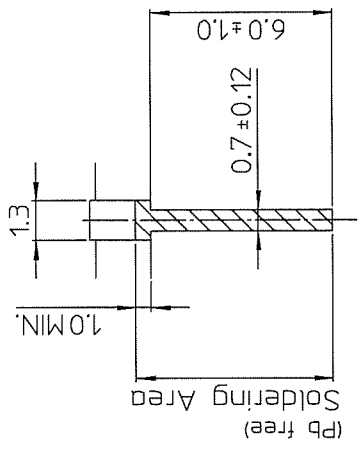
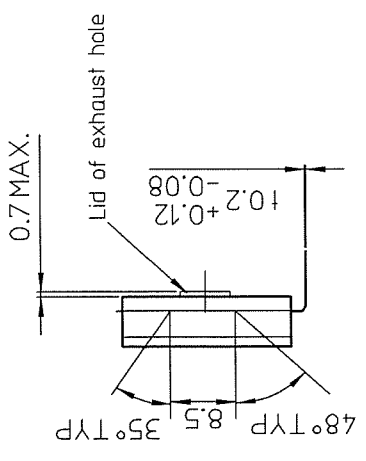
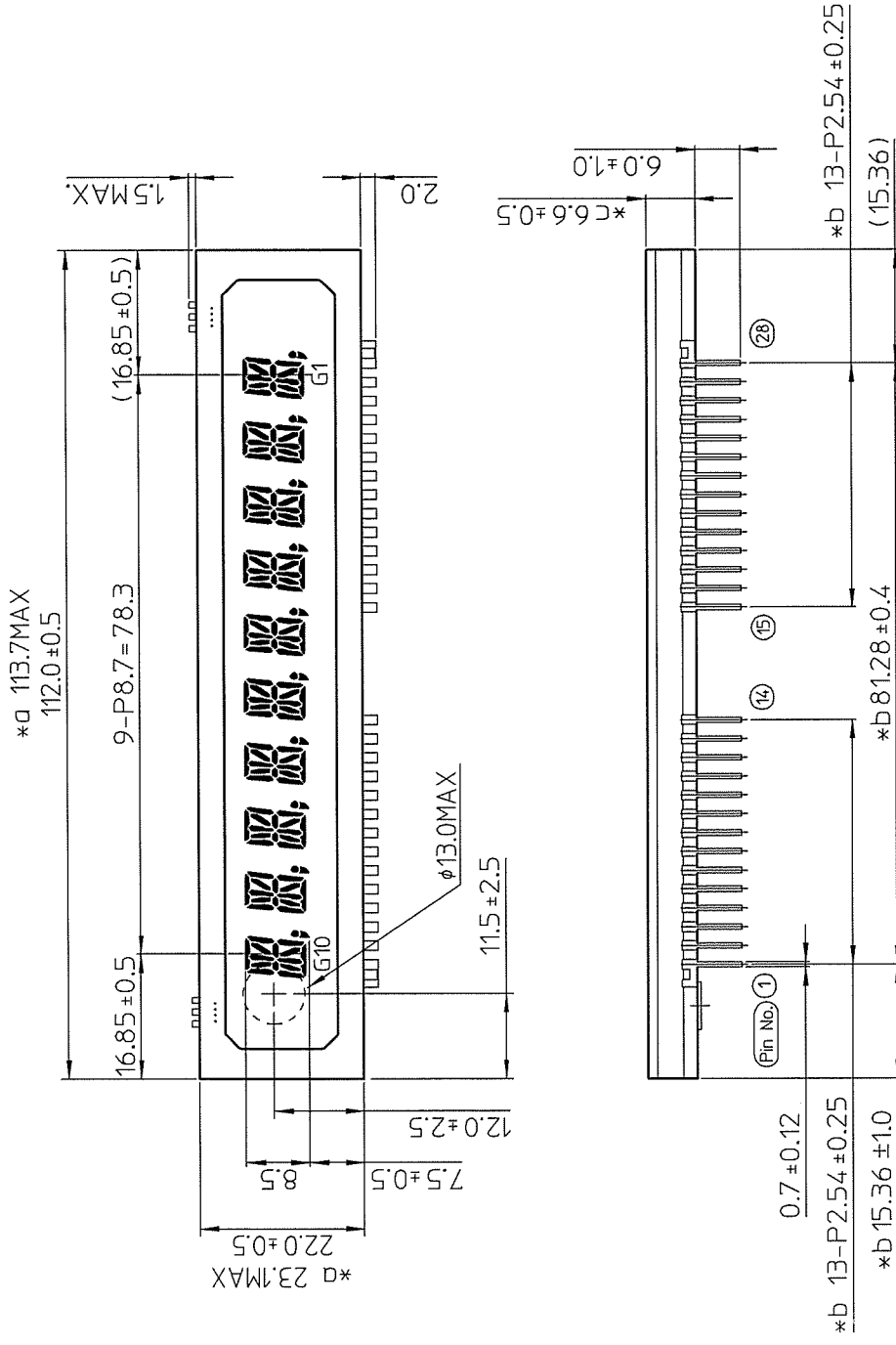
#1 Effective value of AC 50Hz or 60Hz.

#2 Pulse condition Duty cycle (Du) = 1/12 (tp/T)
Pulse width (tp) = 100 μ sec.

#3 Unless specified, ic and ib are measured per grid,
when all anodes are turned on.

#4 Ecco and Ebco are applied to the center-tap
of the filament transformer.

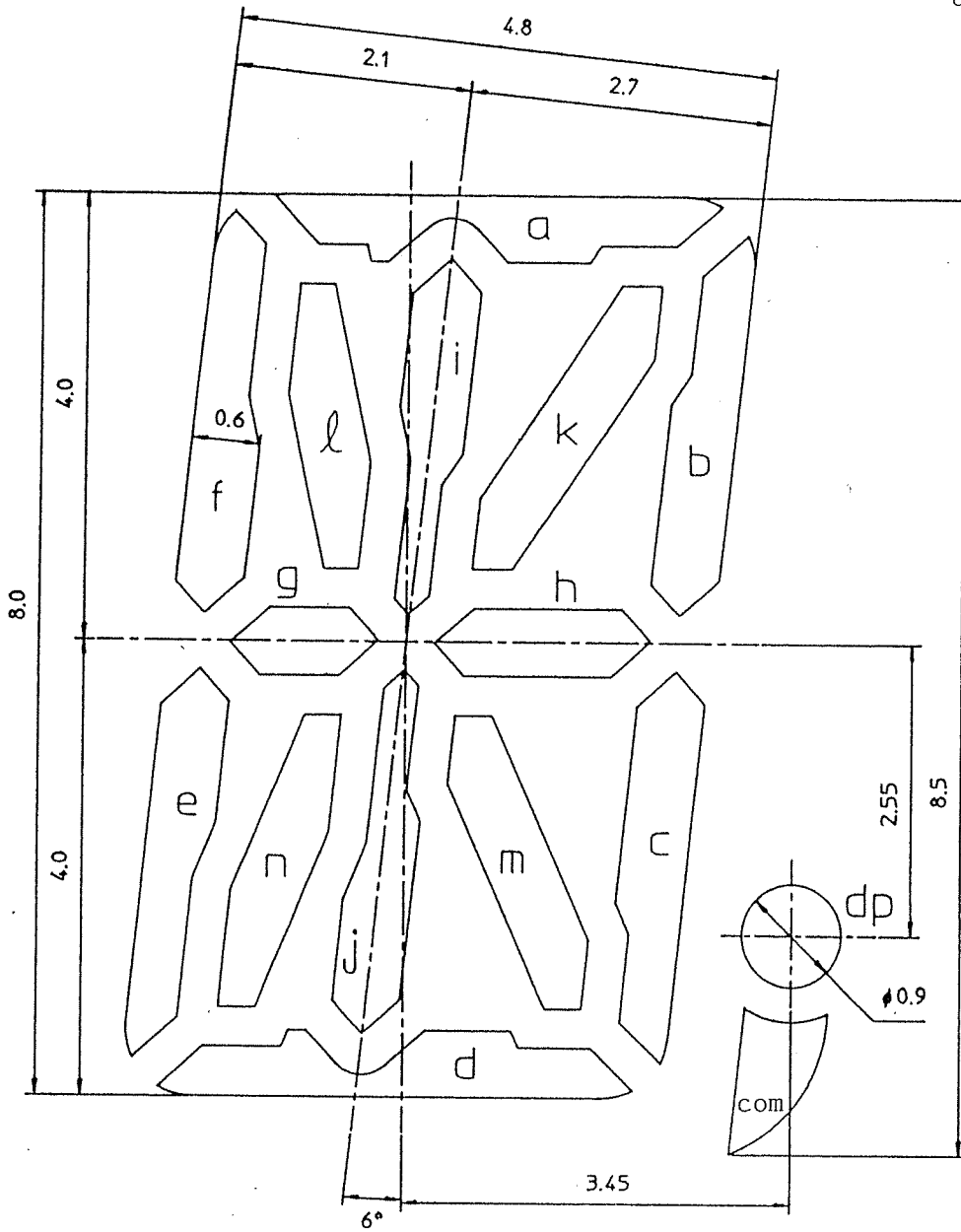




LEAD DETAIL

- *a フリットのみ出しを含む寸法とする。
Included extra frit glass.
- *b 基板底面より3mmの位置の寸法とする。
Within 3 mm from bottom of the glass substrate.
- *c 排気孔栓の厚みを含まない。
This size does not include the thickness of a lid.

Scale 15:1
Unit: mm



Pin Assignment

Pin No.	1	2	3	4	5	6	7	8	9	10	11	12	13	14
Assignment	F	Pk	Pi	Pl	Pn	Pm	Pj	Pc	Pd	G10	G9	G8	G7	G6
Pin No.	15	16	17	18	19	20	21	22	23	24	25	26	27	28
Assignment	G5	G4	G3	G2	G1	Pcom	Pdp	Pe	Ph	Pg	Pf	Pb	Pa	F

Note F:Filament P:Anode G:Grid