

# XS1-L8A-128-QF124 Datasheet

---

---

2015/04/14

Document Number: X5358,

XMOS © 2015, All Rights Reserved



## Table of Contents

1	xCORE Multicore Microcontrollers	2
2	XS1-L8A-128-QF124 Features	4
3	Pin Configuration	5
4	Signal Description	6
5	Product Overview	10
6	PLL	13
7	Boot Procedure	14
8	Memory	16
9	JTAG	17
10	Board Integration	19
11	DC and Switching Characteristics	24
12	Package Information	28
13	Ordering Information	29
	Appendices	30
A	Configuration of the XS1	30
B	Processor Status Configuration	32
C	Tile Configuration	41
D	Node Configuration	47
E	XMOS USB Interface	54
F	Device Errata	54
G	JTAG, xSCOPE and Debugging	55
H	Schematics Design Check List	57
I	PCB Layout Design Check List	60
J	Associated Design Documentation	61
K	Related Documentation	61
L	Revision History	62

---

## TO OUR VALUED CUSTOMERS

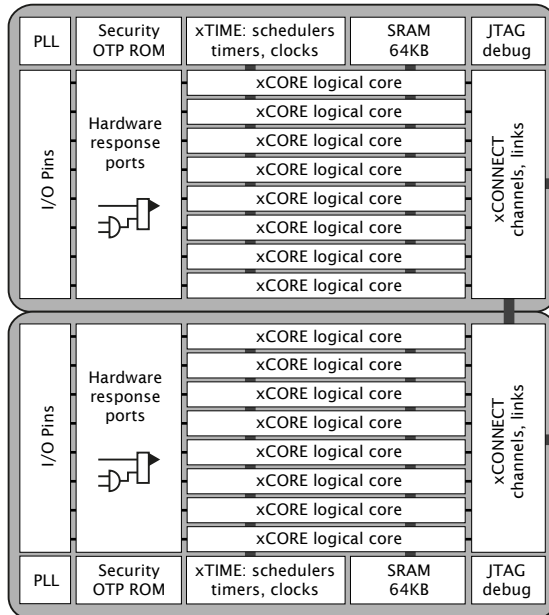
It is our intention to provide you with accurate and comprehensive documentation for the hardware and software components used in this product. To subscribe to receive updates, visit <http://www.xmos.com/>.

XMOS Ltd. is the owner or licensee of the information in this document and is providing it to you "AS IS" with no warranty of any kind, express or implied and shall have no liability in relation to its use. XMOS Ltd. makes no representation that the information, or any particular implementation thereof, is or will be free from any claims of infringement and again, shall have no liability in relation to any such claims.

XMOS and the XMOS logo are registered trademarks of XMOS Ltd in the United Kingdom and other countries, and may not be used without written permission. Company and product names mentioned in this document are the trademarks or registered trademarks of their respective owners.

# 1 xCORE Multicore Microcontrollers

The XS1-L Series is a comprehensive range of 32-bit multicore microcontrollers that brings the low latency and timing determinism of the xCORE architecture to mainstream embedded applications. Unlike conventional microcontrollers, xCORE multicore microcontrollers execute multiple real-time tasks simultaneously and communicate between tasks using a high speed network. Because xCORE multicore microcontrollers are completely deterministic, you can write software to implement functions that traditionally require dedicated hardware.



**Figure 1:**  
XS1-L Series:  
4-16 core  
devices

Key features of the XS1-L8A-128-QF124 include:

- ▶ **Tiles:** Devices consist of one or more xCORE tiles. Each tile contains between four and eight 32-bit xCOREs with highly integrated I/O and on-chip memory.
- ▶ **Logical cores** Each logical core can execute tasks such as computational code, DSP code, control software (including logic decisions and executing a state machine) or software that handles I/O. Section 5.1
- ▶ **xTIME scheduler** The xTIME scheduler performs functions similar to an RTOS, in hardware. It services and synchronizes events in a core, so there is no requirement for interrupt handler routines. The xTIME scheduler triggers cores on events generated by hardware resources such as the I/O pins, communication channels and timers. Once triggered, a core runs independently and concurrently to other cores, until it pauses to wait for more events. Section 5.2

- ▶ **Channels and channel ends** Tasks running on logical cores communicate using channels formed between two channel ends. Data can be passed synchronously or asynchronously between the channel ends assigned to the communicating tasks. Section [5.5](#)
- ▶ **xCONNECT Switch and Links** Between tiles, channel communications are implemented over a high performance network of xCONNECT Links and routed through a hardware xCONNECT Switch. Section [5.6](#)
- ▶ **Ports** The I/O pins are connected to the processing cores by Hardware Response ports. The port logic can drive its pins high and low, or it can sample the value on its pins optionally waiting for a particular condition. Section [5.3](#)
- ▶ **Clock blocks** xCORE devices include a set of programmable clock blocks that can be used to govern the rate at which ports execute. Section [5.4](#)
- ▶ **Memory** Each xCORE Tile integrates a bank of SRAM for instructions and data, and a block of one-time programmable (OTP) memory that can be configured for system wide security features. Section [8](#)
- ▶ **PLL** The PLL is used to create a high-speed processor clock given a low speed external oscillator. Section [6](#)
- ▶ **JTAG** The JTAG module can be used for loading programs, boundary scan testing, in-circuit source-level debugging and programming the OTP memory. Section [9](#)

## 1.1 Software

Devices are programmed using C, C++ or xC (C with multicore extensions). XMOS provides tested and proven software libraries, which allow you to quickly add interface and processor functionality such as USB, Ethernet, PWM, graphics driver, and audio EQ to your applications.

## 1.2 xTIMEcomposer Studio

The xTIMEcomposer Studio development environment provides all the tools you need to write and debug your programs, profile your application, and write images into flash memory or OTP memory on the device. Because xCORE devices operate deterministically, they can be simulated like hardware within xTIMEcomposer: uniquely in the embedded world, xTIMEcomposer Studio therefore includes a static timing analyzer, cycle-accurate simulator, and high-speed in-circuit instrumentation.

xTIMEcomposer can be driven from either a graphical development environment, or the command line. The tools are supported on Windows, Linux and MacOS X and available at no cost from [xmos.com/downloads](http://xmos.com/downloads). Information on using the tools is provided in the xTIMEcomposer User Guide, [X3766](#).

## 2 XS1-L8A-128-QF124 Features

### ► **Multicore Microcontroller with Advanced Multi-Core RISC Architecture**

- Eight real-time logical cores on 2 xCORE tiles
- Cores share up to 500 MIPS
- Each logical core has:
  - Guaranteed throughput of 1/4 of tile MIPS
  - 16x32bit dedicated registers
- 159 high-density 16/32-bit instructions
  - All have single clock-cycle execution (except for divide)
  - 32x32→64-bit MAC instructions for DSP, arithmetic and user-definable cryptographic functions

### ► **Programmable I/O**

- 28 general-purpose I/O pins, configurable as input or output
  - Up to 32 x 1bit port, 12 x 4bit port, 7 x 8bit port, 3 x 16bit port
  - 4 xCONNECT links
- Port sampling rates of up to 60 MHz with respect to an external clock
- 64 channel ends for communication with other cores, on or off-chip

### ► **Memory**

- 128KB internal single-cycle SRAM (max 64KB per tile) for code and data storage
- 8KB internal OTP (max 8KB per tile) for application boot code

### ► **Hardware resources**

- 12 clock blocks (6 per tile)
- 20 timers (10 per tile)
- 8 locks (4 per tile)

### ► **JTAG Module for On-Chip Debug**

### ► **Security Features**

- Programming lock disables debug and prevents read-back of memory contents
- AES bootloader ensures secrecy of IP held on external flash memory

### ► **Ambient Temperature Range**

- Commercial qualification: 0°C to 70°C
- Industrial qualification: -40°C to 85°C

### ► **Speed Grade**

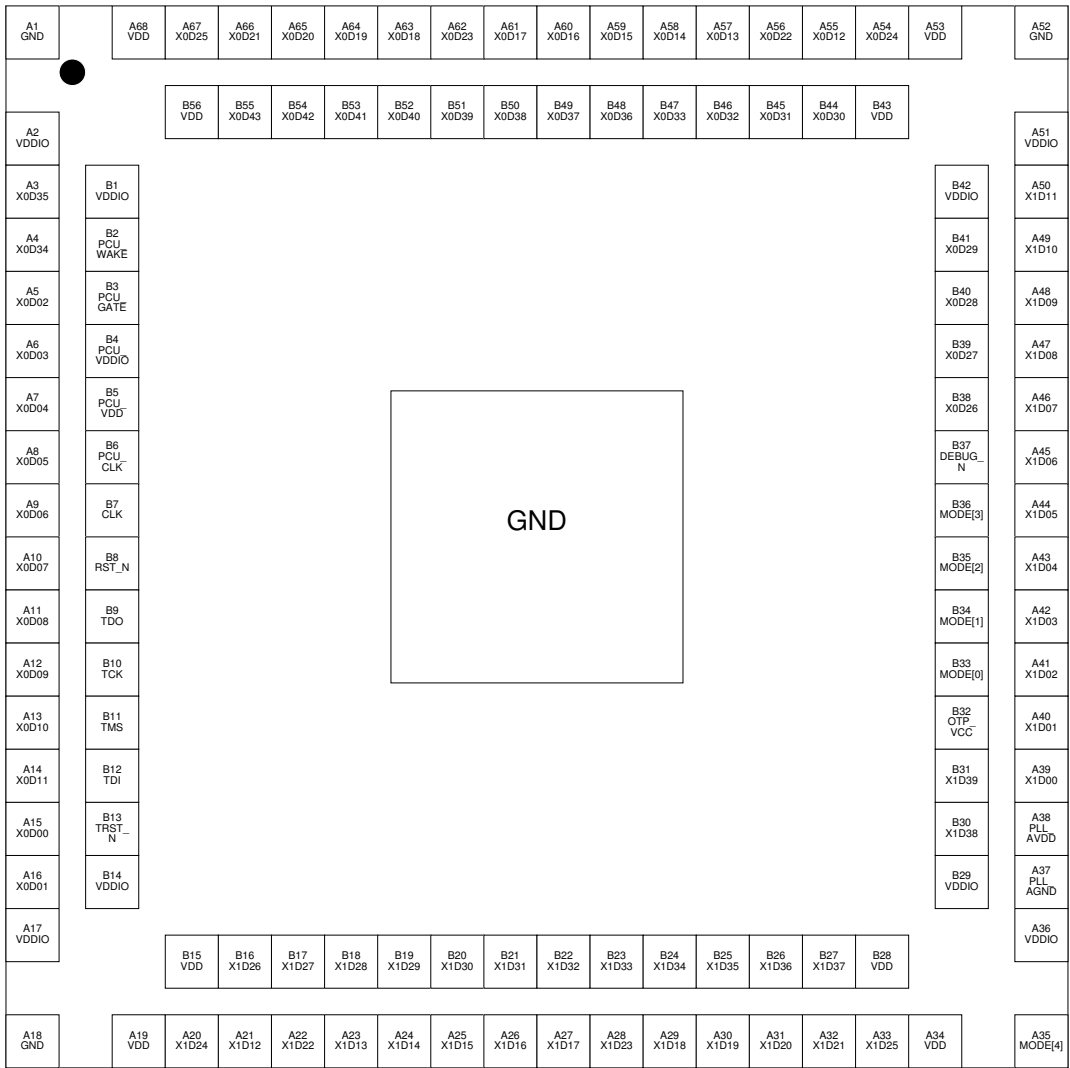
- 10: 1000 MIPS
- 8: 800 MIPS

### ► **Power Consumption**

- Active Mode
  - 400 mA at 500 MHz (typical)
  - 320 mA at 400 MHz (typical)
- Standby Mode
  - 28 mA

### ► **124-pin QF124 package 0.5 mm pitch**

### 3 Pin Configuration



## 4 Signal Description

This section lists the signals and I/O pins available on the XS1-L8A-128-QF124. The device provides a combination of 1bit, 4bit, 8bit and 16bit ports, as well as wider ports that are fully or partially (gray) bonded out. All pins of a port provide either output or input, but signals in different directions cannot be mapped onto the same port.

Pins may have one or more of the following properties:

- ▶ PD/PU: The IO pin a weak pull-down or pull-up resistor. On GPIO pins this resistor can be enabled.
- ▶ ST: The IO pin has a Schmitt Trigger on its input.

Power pins (6)			
Signal	Function	Type	Properties
GND	Digital ground	GND	
OTP_VCC	OTP power supply	PWR	
PLL_AGND	Analog ground for PLL	GND	
PLL_AVDD	Analog PLL power	PWR	
VDD	Digital tile power	PWR	
VDDIO	Digital I/O power	PWR	

Clocks pins (2)			
Signal	Function	Type	Properties
CLK	PLL reference clock	Input	PD, ST
MODE[4:0]	Boot mode select	Input	PU, ST

JTAG pins (7)			
Signal	Function	Type	Properties
DEBUG_N	Multi-chip debug	I/O	PU
RST_N	Global reset input	Input	PU, ST
TCK	Test clock	Input	PU, ST
TDI	Test data input	Input	PU, ST
TDO	Test data output	Output	PD, OT
TMS	Test mode select	Input	PU, ST
TRST_N	Test reset input	Input	PU, ST

I/O pins (84)			
Signal	Function	Type	Properties
X0D00	1A <sup>0</sup>	I/O	PD <sub>S</sub> , R <sub>S</sub>

(continued)

Signal	Function	Type	Properties
X0D01	$XLA_{out}^4 \ 1B^0$	I/O	PD <sub>S</sub> , R <sub>S</sub>
X0D02	$XLA_{out}^3 \ 4A^0 \ 8A^0 \ 16A^0 \ 32A^{20}$	I/O	PD <sub>S</sub> , R <sub>U</sub>
X0D03	$XLA_{out}^2 \ 4A^1 \ 8A^1 \ 16A^1 \ 32A^{21}$	I/O	PD <sub>S</sub> , R <sub>U</sub>
X0D04	$XLA_{out}^1 \ 4B^0 \ 8A^2 \ 16A^2 \ 32A^{22}$	I/O	PD <sub>S</sub> , R <sub>U</sub>
X0D05	$XLA_{out}^0 \ 4B^1 \ 8A^3 \ 16A^3 \ 32A^{23}$	I/O	PD <sub>S</sub> , R <sub>U</sub>
X0D06	$XLA_{in}^0 \ 4B^2 \ 8A^4 \ 16A^4 \ 32A^{24}$	I/O	PD <sub>S</sub> , R <sub>U</sub>
X0D07	$XLA_{in}^1 \ 4B^3 \ 8A^5 \ 16A^5 \ 32A^{25}$	I/O	PD <sub>S</sub> , R <sub>U</sub>
X0D08	$XLA_{in}^2 \ 4A^2 \ 8A^6 \ 16A^6 \ 32A^{26}$	I/O	PD <sub>S</sub> , R <sub>U</sub>
X0D09	$XLA_{in}^3 \ 4A^3 \ 8A^7 \ 16A^7 \ 32A^{27}$	I/O	PD <sub>S</sub> , R <sub>U</sub>
X0D10	$XLA_{in}^4 \ 1C^0$	I/O	PD <sub>S</sub> , R <sub>S</sub>
X0D11	$1D^0$	I/O	PD <sub>S</sub> , R <sub>S</sub>
X0D12	$1E^0$	I/O	PD <sub>S</sub> , R <sub>U</sub>
X0D13	$XLB_{out}^4 \ 1F^0$	I/O	PD <sub>S</sub> , R <sub>U</sub>
X0D14	$XLB_{out}^3 \ 4C^0 \ 8B^0 \ 16A^8 \ 32A^{28}$	I/O	PD <sub>S</sub> , R <sub>U</sub>
X0D15	$XLB_{out}^2 \ 4C^1 \ 8B^1 \ 16A^9 \ 32A^{29}$	I/O	PD <sub>S</sub> , R <sub>U</sub>
X0D16	$XLB_{out}^1 \ 4D^0 \ 8B^2 \ 16A^{10}$	I/O	PD <sub>S</sub> , R <sub>U</sub>
X0D17	$XLB_{out}^0 \ 4D^1 \ 8B^3 \ 16A^{11}$	I/O	PD <sub>S</sub> , R <sub>U</sub>
X0D18	$XLB_{in}^0 \ 4D^2 \ 8B^4 \ 16A^{12}$	I/O	PD <sub>S</sub> , R <sub>U</sub>
X0D19	$XLB_{in}^1 \ 4D^3 \ 8B^5 \ 16A^{13}$	I/O	PD <sub>S</sub> , R <sub>U</sub>
X0D20	$XLB_{in}^2 \ 4C^2 \ 8B^6 \ 16A^{14} \ 32A^{30}$	I/O	PD <sub>S</sub> , R <sub>U</sub>
X0D21	$XLB_{in}^3 \ 4C^3 \ 8B^7 \ 16A^{15} \ 32A^{31}$	I/O	PD <sub>S</sub> , R <sub>U</sub>
X0D22	$XLB_{in}^4 \ 1G^0$	I/O	PD <sub>S</sub> , R <sub>U</sub>
X0D23	$1H^0$	I/O	PD <sub>S</sub> , R <sub>U</sub>
X0D24	$1I^0$	I/O	PD <sub>S</sub>
X0D25	$1J^0$	I/O	PD <sub>S</sub>
X0D26	$4E^0 \ 8C^0 \ 16B^0$	I/O	PD <sub>S</sub> , R <sub>U</sub>
X0D27	$4E^1 \ 8C^1 \ 16B^1$	I/O	PD <sub>S</sub> , R <sub>U</sub>
X0D28	$4F^0 \ 8C^2 \ 16B^2$	I/O	PD <sub>S</sub> , R <sub>U</sub>
X0D29	$4F^1 \ 8C^3 \ 16B^3$	I/O	PD <sub>S</sub> , R <sub>U</sub>
X0D30	$4F^2 \ 8C^4 \ 16B^4$	I/O	PD <sub>S</sub> , R <sub>U</sub>
X0D31	$4F^3 \ 8C^5 \ 16B^5$	I/O	PD <sub>S</sub> , R <sub>U</sub>
X0D32	$4E^2 \ 8C^6 \ 16B^6$	I/O	PD <sub>S</sub> , R <sub>U</sub>
X0D33	$4E^3 \ 8C^7 \ 16B^7$	I/O	PD <sub>S</sub> , R <sub>U</sub>
X0D34	$1K^0$	I/O	PD <sub>S</sub>
X0D35	$1L^0$	I/O	PD <sub>S</sub>
X0D36	$1M^0 \ 8D^0 \ 16B^8$	I/O	PD <sub>S</sub>
X0D37	$1N^0 \ 8D^1 \ 16B^9$	I/O	PD <sub>S</sub> , R <sub>U</sub>
X0D38	$1O^0 \ 8D^2 \ 16B^{10}$	I/O	PD <sub>S</sub> , R <sub>U</sub>
X0D39	$1P^0 \ 8D^3 \ 16B^{11}$	I/O	PD <sub>S</sub> , R <sub>U</sub>
X0D40	$8D^4 \ 16B^{12}$	I/O	PD <sub>S</sub> , R <sub>U</sub>
X0D41	$8D^5 \ 16B^{13}$	I/O	PD <sub>S</sub> , R <sub>U</sub>
X0D42	$8D^6 \ 16B^{14}$	I/O	PD <sub>S</sub> , R <sub>U</sub>
X0D43	$8D^7 \ 16B^{15}$	I/O	PU <sub>S</sub> , R <sub>U</sub>

(continued)



Signal	Function	Type	Properties
X1D00	1A <sup>0</sup>	I/O	PD <sub>S</sub> , R <sub>S</sub>
X1D01	XLA <sub>out</sub> <sup>4</sup> 1B <sup>0</sup>	I/O	PD <sub>S</sub> , R <sub>S</sub>
X1D02	XLA <sub>out</sub> <sup>3</sup> 4A <sup>0</sup> 8A <sup>0</sup> 16A <sup>0</sup> 32A <sup>20</sup>	I/O	PD <sub>S</sub> , R <sub>U</sub>
X1D03	XLA <sub>out</sub> <sup>2</sup> 4A <sup>1</sup> 8A <sup>1</sup> 16A <sup>1</sup> 32A <sup>21</sup>	I/O	PD <sub>S</sub> , R <sub>U</sub>
X1D04	XLA <sub>out</sub> <sup>1</sup> 4B <sup>0</sup> 8A <sup>2</sup> 16A <sup>2</sup> 32A <sup>22</sup>	I/O	PD <sub>S</sub> , R <sub>U</sub>
X1D05	XLA <sub>out</sub> <sup>0</sup> 4B <sup>1</sup> 8A <sup>3</sup> 16A <sup>3</sup> 32A <sup>23</sup>	I/O	PD <sub>S</sub> , R <sub>U</sub>
X1D06	XLA <sub>in</sub> <sup>0</sup> 4B <sup>2</sup> 8A <sup>4</sup> 16A <sup>4</sup> 32A <sup>24</sup>	I/O	PD <sub>S</sub> , R <sub>U</sub>
X1D07	XLA <sub>in</sub> <sup>1</sup> 4B <sup>3</sup> 8A <sup>5</sup> 16A <sup>5</sup> 32A <sup>25</sup>	I/O	PD <sub>S</sub> , R <sub>U</sub>
X1D08	XLA <sub>in</sub> <sup>2</sup> 4A <sup>2</sup> 8A <sup>6</sup> 16A <sup>6</sup> 32A <sup>26</sup>	I/O	PD <sub>S</sub> , R <sub>U</sub>
X1D09	XLA <sub>in</sub> <sup>3</sup> 4A <sup>3</sup> 8A <sup>7</sup> 16A <sup>7</sup> 32A <sup>27</sup>	I/O	PD <sub>S</sub> , R <sub>U</sub>
X1D10	XLA <sub>in</sub> <sup>4</sup> 1C <sup>0</sup>	I/O	PD <sub>S</sub> , R <sub>S</sub>
X1D11	1D <sup>0</sup>	I/O	PD <sub>S</sub> , R <sub>S</sub>
X1D12	1E <sup>0</sup>	I/O	PD <sub>S</sub> , R <sub>U</sub>
X1D13	XLB <sub>out</sub> <sup>4</sup> 1F <sup>0</sup>	I/O	PD <sub>S</sub> , R <sub>U</sub>
X1D14	XLB <sub>out</sub> <sup>3</sup> 4C <sup>0</sup> 8B <sup>0</sup> 16A <sup>8</sup> 32A <sup>28</sup>	I/O	PD <sub>S</sub> , R <sub>U</sub>
X1D15	XLB <sub>out</sub> <sup>2</sup> 4C <sup>1</sup> 8B <sup>1</sup> 16A <sup>9</sup> 32A <sup>29</sup>	I/O	PD <sub>S</sub> , R <sub>U</sub>
X1D16	XLB <sub>out</sub> <sup>1</sup> 4D <sup>0</sup> 8B <sup>2</sup> 16A <sup>10</sup>	I/O	PD <sub>S</sub> , R <sub>U</sub>
X1D17	XLB <sub>out</sub> <sup>0</sup> 4D <sup>1</sup> 8B <sup>3</sup> 16A <sup>11</sup>	I/O	PD <sub>S</sub> , R <sub>U</sub>
X1D18	XLB <sub>in</sub> <sup>0</sup> 4D <sup>2</sup> 8B <sup>4</sup> 16A <sup>12</sup>	I/O	PD <sub>S</sub> , R <sub>U</sub>
X1D19	XLB <sub>in</sub> <sup>1</sup> 4D <sup>3</sup> 8B <sup>5</sup> 16A <sup>13</sup>	I/O	PD <sub>S</sub> , R <sub>U</sub>
X1D20	XLB <sub>in</sub> <sup>2</sup> 4C <sup>2</sup> 8B <sup>6</sup> 16A <sup>14</sup> 32A <sup>30</sup>	I/O	PD <sub>S</sub> , R <sub>U</sub>
X1D21	XLB <sub>in</sub> <sup>3</sup> 4C <sup>3</sup> 8B <sup>7</sup> 16A <sup>15</sup> 32A <sup>31</sup>	I/O	PD <sub>S</sub> , R <sub>U</sub>
X1D22	XLB <sub>in</sub> <sup>4</sup> 1G <sup>0</sup>	I/O	PD <sub>S</sub> , R <sub>U</sub>
X1D23	1H <sup>0</sup>	I/O	PD <sub>S</sub> , R <sub>U</sub>
X1D24	1I <sup>0</sup>	I/O	PD <sub>S</sub>
X1D25	1J <sup>0</sup>	I/O	PD <sub>S</sub>
X1D26	4E <sup>0</sup> 8C <sup>0</sup> 16B <sup>0</sup>	I/O	PD <sub>S</sub> , R <sub>U</sub>
X1D27	4E <sup>1</sup> 8C <sup>1</sup> 16B <sup>1</sup>	I/O	PD <sub>S</sub> , R <sub>U</sub>
X1D28	4F <sup>0</sup> 8C <sup>2</sup> 16B <sup>2</sup>	I/O	PD <sub>S</sub> , R <sub>U</sub>
X1D29	4F <sup>1</sup> 8C <sup>3</sup> 16B <sup>3</sup>	I/O	PD <sub>S</sub> , R <sub>U</sub>
X1D30	4F <sup>2</sup> 8C <sup>4</sup> 16B <sup>4</sup>	I/O	PD <sub>S</sub> , R <sub>U</sub>
X1D31	4F <sup>3</sup> 8C <sup>5</sup> 16B <sup>5</sup>	I/O	PD <sub>S</sub> , R <sub>U</sub>
X1D32	4E <sup>2</sup> 8C <sup>6</sup> 16B <sup>6</sup>	I/O	PD <sub>S</sub> , R <sub>U</sub>
X1D33	4E <sup>3</sup> 8C <sup>7</sup> 16B <sup>7</sup>	I/O	PD <sub>S</sub> , R <sub>U</sub>
X1D34	1K <sup>0</sup>	I/O	PD <sub>S</sub>
X1D35	1L <sup>0</sup>	I/O	PD <sub>S</sub>
X1D36	1M <sup>0</sup> 8D <sup>0</sup> 16B <sup>8</sup>	I/O	PD <sub>S</sub>
X1D37	1N <sup>0</sup> 8D <sup>1</sup> 16B <sup>9</sup>	I/O	PD <sub>S</sub> , R <sub>U</sub>
X1D38	1O <sup>0</sup> 8D <sup>2</sup> 16B <sup>10</sup>	I/O	PD <sub>S</sub> , R <sub>U</sub>
X1D39	1P <sup>0</sup> 8D <sup>3</sup> 16B <sup>11</sup>	I/O	PD <sub>S</sub> , R <sub>U</sub>

pins (5)			
Signal	Function	Type	Properties
PCU_CLK	Clock input		
PCU_GATE	Power control gate control		
PCU_VDD	PCU tile power		
PCU_VDDIO	PCU I/O supply		
PCU_WAKE	Wakeup reset		

## 5 Product Overview

The XS1-L8A-128-QF124 is a powerful device that consists of two xCORE Tiles, each comprising a flexible logical processing cores with tightly integrated I/O and on-chip memory.

### 5.1 Logical cores

Each tile has up to 4 active logical cores, which issue instructions down a shared four-stage pipeline. Instructions from the active cores are issued round-robin. Each core is allocated a quarter of the processing cycles. Figure 2 shows the guaranteed core performance.

**Figure 2:**  
Logical core performance

Speed grade	MIPS	Frequency	MIPS per logical core
8	800 MIPS	400 MHz	100
10	1000 MIPS	500 MHz	125

There is no way that the performance of a logical core can be reduced below these predicted levels.

The logical cores are triggered by events instead of interrupts and run to completion. A logical core can be paused to wait for an event.

### 5.2 xTIME scheduler

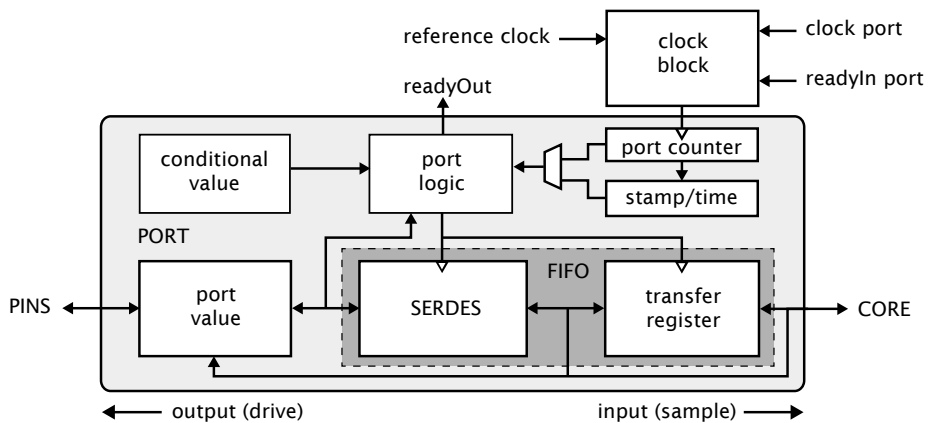
The xTIME scheduler handles the events generated by xCORE Tile resources, such as channel ends, timers and I/O pins. It ensures that all events are serviced and synchronized, without the need for an RTOS. Events that occur at the I/O pins are handled by the Hardware-Response ports and fed directly to the appropriate xCORE Tile. An xCORE Tile can also choose to wait for a specified time to elapse, or for data to become available on a channel.

Tasks do not need to be prioritised as each of them runs on their own logical xCORE. It is possible to share a set of low priority tasks on a single core using cooperative multitasking.

### 5.3 Hardware Response Ports

Hardware Response ports connect an xCORE tile to one or more physical pins and as such define the interface between hardware attached to the XS1-L8A-128-QF124, and the software running on it. A combination of 1bit, 4bit, 8bit, 16bit and 32bit ports are available. All pins of a port provide either output or input. Signals in different directions cannot be mapped onto the same port.

The port logic can drive its pins high or low, or it can sample the value on its pins, optionally waiting for a particular condition. Ports are accessed using dedicated instructions that are executed in a single processor cycle.



**Figure 3:**  
Port block  
diagram

Data is transferred between the pins and core using a FIFO that comprises a SERDES and transfer register, providing options for serialization and buffered data.

Each port has a 16-bit counter that can be used to control the time at which data is transferred between the port value and transfer register. The counter values can be obtained at any time to find out when data was obtained, or used to delay I/O until some time in the future. The port counter value is automatically saved as a timestamp, that can be used to provide precise control of response times.

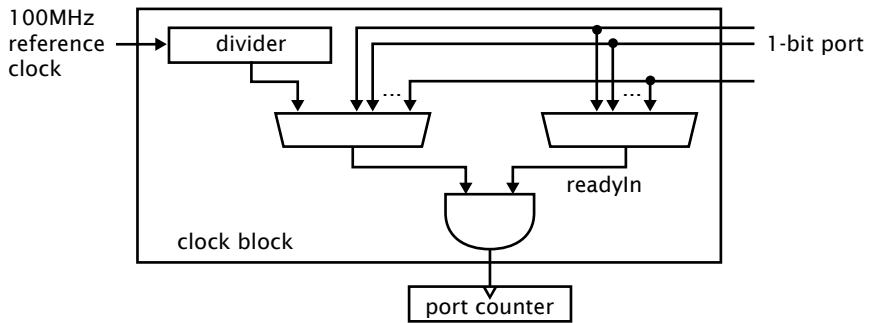
The ports and xCONNECT links are multiplexed onto the physical pins. If an xConnect Link is enabled, the pins of the underlying ports are disabled. If a port is enabled, it overrules ports with higher widths that share the same pins. The pins on the wider port that are not shared remain available for use when the narrower port is enabled. Ports always operate at their specified width, even if they share pins with another port.

### 5.4 Clock blocks

xCORE devices include a set of programmable clocks called clock blocks that can be used to govern the rate at which ports execute. Each xCORE tile has six clock blocks: the first clock block provides the tile reference clock and runs at a default frequency of 100MHz; the remaining clock blocks can be set to run at different frequencies.

A clock block can use a 1-bit port as its clock source allowing external application clocks to be used to drive the input and output interfaces.

In many cases I/O signals are accompanied by strobing signals. The xCORE ports can input and interpret strobe (known as readyIn and readyOut) signals generated by external sources, and ports can generate strobe signals to accompany output data.



**Figure 4:**  
Clock block  
diagram

On reset, each port is connected to clock block 0, which runs from the xCORE Tile reference clock.

### 5.5 Channels and Channel Ends

Logical cores communicate using point-to-point connections, formed between two channel ends. A channel-end is a resource on an xCORE tile, that is allocated by the program. Each channel-end has a unique system-wide identifier that comprises a unique number and their tile identifier. Data is transmitted to a channel-end by an output-instruction; and the other side executes an input-instruction. Data can be passed synchronously or asynchronously between the channel ends.

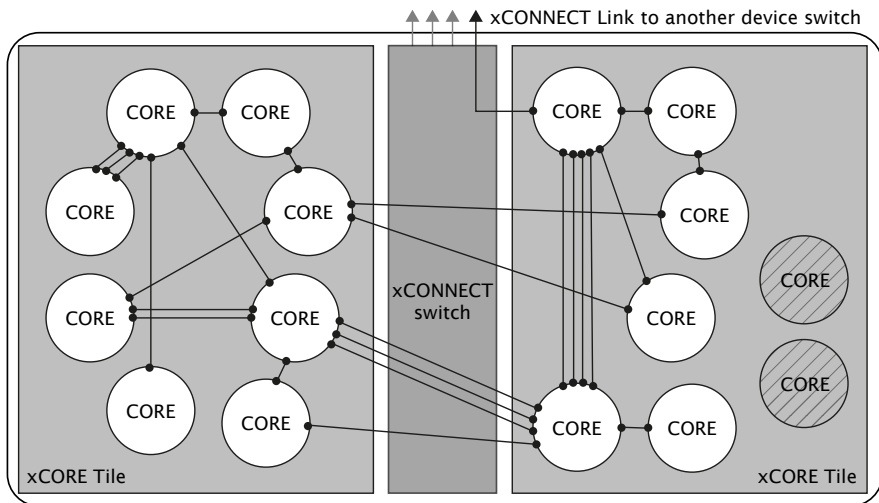
### 5.6 xCONNECT Switch and Links

XMOS devices provide a scalable architecture, where multiple xCORE devices can be connected together to form one system. Each xCORE device has an xCONNECT interconnect that provides a communication infrastructure for all tasks that run on the various xCORE tiles on the system.

The interconnect relies on a collection of switches and XMOS links. Each xCORE device has an on-chip switch that can set up circuits or route data. The switches are connected by xConnect Links. An XMOS link provides a physical connection between two switches. The switch has a routing algorithm that supports many different topologies, including lines, meshes, trees, and hypercubes.

The links operate in either 2 wires per direction or 5 wires per direction mode, depending on the amount of bandwidth required. Circuit switched, streaming and packet switched data can both be supported efficiently. Streams provide the fastest possible data rates between xCORE Tiles (up to 250 MBit/s), but each stream requires a single link to be reserved between switches on two tiles. All packet communications can be multiplexed onto a single link.

Information on the supported routing topologies that can be used to connect multiple devices together can be found in the XS1-L Link Performance and Design Guide, [X2999](#).



**Figure 5:** Switch, links and channel ends

## 6 PLL

The PLL creates a high-speed clock that is used for the switch, tile, and reference clock.

The PLL multiplication value is selected through the two MODE pins, and can be changed by software to speed up the tile or use less power. The MODE pins are set as shown in Figure 6:

Oscillator Frequency	MODE		Tile Frequency	PLL Ratio	PLL settings		
	1	0			OD	F	R
5-13 MHz	0	0	130-399.75 MHz	30.75	1	122	0
13-20 MHz	1	1	260-400.00 MHz	20	2	119	0
20-48 MHz	1	0	167-400.00 MHz	8.33	2	49	0
48-100 MHz	0	1	196-400.00 MHz	4	2	23	0

**Figure 6:** PLL multiplier values and MODE pins

Figure 6 also lists the values of *OD*, *F* and *R*, which are the registers that define the ratio of the tile frequency to the oscillator frequency:

$$F_{core} = F_{osc} \times \frac{F + 1}{2} \times \frac{1}{R + 1} \times \frac{1}{OD + 1}$$

*OD*, *F* and *R* must be chosen so that  $0 \leq R \leq 63$ ,  $0 \leq F \leq 4095$ ,  $0 \leq OD \leq 7$ , and  $260MHz \leq F_{osc} \times \frac{F+1}{2} \times \frac{1}{R+1} \leq 1.3GHz$ . The *OD*, *F*, and *R* values can be modified by writing to the digital node PLL configuration register.

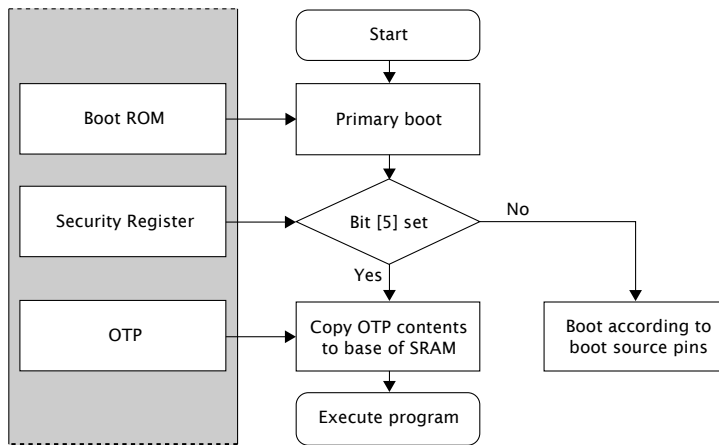
The MODE pins must be held at a static value during and after deassertion of the system reset.

If a different tile frequency is required (eg, 500 MHz), then the PLL must be reprogrammed after boot to provide the required tile frequency. The XMOS tools perform this operation by default. Further details on configuring the clock can be found in the XS1-L Clock Frequency Control document, [X1433](#).

## 7 Boot Procedure

The device is kept in reset by driving RST\_N low. When in reset, all GPIO pins are high impedance. When the device is taken out of reset by releasing RST\_N the processor starts its internal reset process. After 15-150  $\mu$ s (depending on the input clock), all GPIO pins have their internal pull-resistor enabled, and the processor boots at a clock speed that depends on MODE0 and MODE1.

The xCORE Tile boot procedure is illustrated in Figure 7. In normal usage, MODE[4:2] controls the boot source according to the table in Figure 8. If bit 5 of the security register (*see* §8.1) is set, the device boots from OTP.



**Figure 7:**  
Boot procedure

MODE [4]	MODE [3]	MODE [2]	Boot Source
X	0	0	None: Device waits to be booted via JTAG
X	0	1	Reserved
0	1	0	Tile0 boots from link B, Tile1 from channel end 0 via Tile0
0	1	1	Tile0 boots from SPI, Tile1 from channel end 0 via Tile0
1	1	0	Tile0 and Tile1 independently enable link B and internal links (E, F, G, H), and boot from channel end 0
1	1	1	Tile0 and Tile 1 boot from SPI independently

**Figure 8:**  
Boot source pins

The boot image has the following format:

- ▶ A 32-bit program size *s* in words.

- ▶ Program consisting of  $s \times 4$  bytes.
- ▶ A 32-bit CRC, or the value 0x0D15AB1E to indicate that no CRC check should be performed.

The program size and CRC are stored least significant byte first. The program is loaded into the lowest memory address of RAM, and the program is started from that address. The CRC is calculated over the byte stream represented by the program size and the program itself. The polynomial used is 0xEDB88320 (IEEE 802.3); the CRC register is initialized with 0xFFFFFFFF and the residue is inverted to produce the CRC.

### 7.1 Boot from SPI master

If set to boot from SPI master, the processor enables the four pins specified in Figure 9, and drives the SPI clock at 2.5 MHz (assuming a 400 MHz core clock). A READ command is issued with a 24-bit address 0x000000. The clock polarity and phase are 0 / 0.

**Figure 9:**  
SPI master pins

Pin	Signal	Description
X0D00	MISO	Master In Slave Out (Data)
X0D01	SS	Slave Select
X0D10	SCLK	Clock
X0D11	MOSI	Master Out Slave In (Data)

The xCORE Tile expects each byte to be transferred with the *least-significant bit first*. Programmers who write bytes into an SPI interface using the most significant bit first may have to reverse the bits in each byte of the image stored in the SPI device.

If a large boot image is to be read in, it is faster to first load a small boot-loader that reads the large image using a faster SPI clock, for example 50 MHz or as fast as the flash device supports.

The pins used for SPI boot are hardcoded in the boot ROM and cannot be changed. If required, an SPI boot program can be burned into OTP that uses different pins.

### 7.2 Boot from xConnect Link

If set to boot from an xConnect Link, the processor enables Link B around 200 ns after the boot process starts. Enabling the Link switches off the pull-down on resistors X0D16..X0D19, drives X0D16 and X0D17 low (the initial state for the Link), and monitors pins X0D18 and X0D19 for boot-traffic. X0D18 and X0D19 must be low at this stage. If the internal pull-down is too weak to drain any residual charge, external pull-downs of 10K may be required on those pins.

The boot-rom on the core will then:

1. Allocate channel-end 0.



2. Input a word on channel-end 0. It will use this word as a channel to acknowledge the boot. Provide the null-channel-end 0x0000FF02 if no acknowledgment is required.
3. Input the boot image specified above, including the CRC.
4. Input an END control token.
5. Output an END control token to the channel-end received in step 2.
6. Free channel-end 0.
7. Jump to the loaded code.

### 7.3 Boot from OTP

If an xCORE tile is set to use secure boot (see Figure 7), the boot image is read from address 0 of the OTP memory in the tile's security module.

This feature can be used to implement a secure bootloader which loads an encrypted image from external flash, decrypts and CRC checks it with the processor, and discontinues the boot process if the decryption or CRC check fails. XMOS provides a default secure bootloader that can be written to the OTP along with secret decryption keys.

Each tile has its own individual OTP memory, and hence some tiles can be booted from OTP while others are booted from SPI or the channel interface. This enables systems to be partially programmed, dedicating one or more tiles to perform a particular function, leaving the other tiles user-programmable.

### 7.4 Security register

The security register enables security features on the xCORE tile. The features shown in Figure 10 provide a strong level of protection and are sufficient for providing strong IP security.

## 8 Memory

### 8.1 OTP

Each xCORE Tile integrates 8 KB one-time programmable (OTP) memory along with a security register that configures system wide security features. The OTP holds data in four sectors each containing 512 rows of 32 bits which can be used to implement secure bootloaders and store encryption keys. Data for the security register is loaded from the OTP on power up. All additional data in OTP is copied from the OTP to SRAM and executed first on the processor.

The OTP memory is programmed using three special I/O ports: the OTP address port is a 16-bit port with resource ID 0x100200, the OTP data is written via a 32-bit

Feature	Bit	Description
Disable JTAG	0	The JTAG interface is disabled, making it impossible for the tile state or memory content to be accessed via the JTAG interface.
Disable Link access	1	Other tiles are forbidden access to the processor state via the system switch. Disabling both JTAG and Link access transforms an xCORE Tile into a “secure island” with other tiles free for non-secure user application code.
Secure Boot	5	The xCORE Tile is forced to boot from address 0 of the OTP, allowing the xCORE Tile boot ROM to be bypassed ( <i>see</i> §7).
Redundant rows	7	Enables redundant rows in OTP.
Sector Lock 0	8	Disable programming of OTP sector 0.
Sector Lock 1	9	Disable programming of OTP sector 1.
Sector Lock 2	10	Disable programming of OTP sector 2.
Sector Lock 3	11	Disable programming of OTP sector 3.
OTP Master Lock	12	Disable OTP programming completely: disables updates to all sectors and security register.
Disable JTAG-OTP	13	Disable all (read & write) access from the JTAG interface to this OTP.
Disable Global Debug	14	Disables access to the DEBUG_N pin.
	21..15	General purpose software accessible security register available to end-users.
	31..22	General purpose user programmable JTAG UserID code extension.

**Figure 10:**  
Security register features

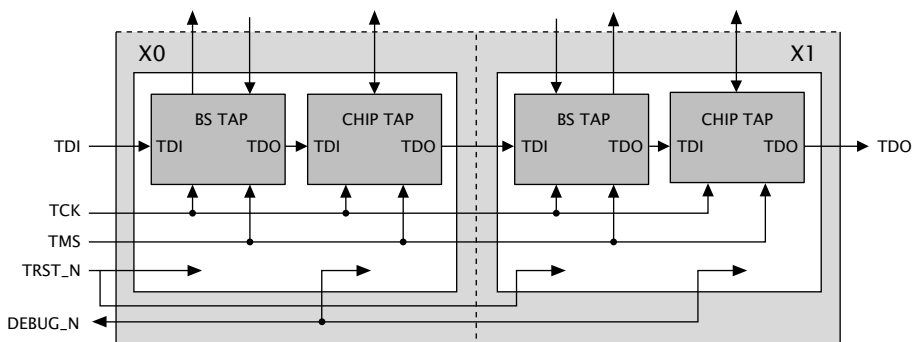
port with resource ID 0x200100, and the OTP control is on a 16-bit port with ID 0x100300. Programming is performed through `libotp` and `xburn`.

## 8.2 SRAM

Each xCORE Tile integrates a single 64KBSRAM bank for both instructions and data. All internal memory is 32 bits wide, and instructions are either 16-bit or 32-bit. Byte (8-bit), half-word (16-bit) or word (32-bit) accesses are supported and are executed within one tile clock cycle. There is no dedicated external memory interface, although data memory can be expanded through appropriate use of the ports.

## 9 JTAG

The JTAG module can be used for loading programs, boundary scan testing, in-circuit source-level debugging and programming the OTP memory.



**Figure 11:**  
JTAG chain structure

The JTAG chain structure is illustrated in Figure 11. Directly after reset, two TAP controllers are present in the JTAG chain for each xCORE Tile: the boundary scan TAP and the chip TAP. The boundary scan TAP is a standard 1149.1 compliant TAP that can be used for boundary scan of the I/O pins. The chip TAP provides access into the xCORE Tile, switch and OTP for loading code and debugging.

The TRST\_N pin must be asserted low during and after power up for 100 ns. If JTAG is not required, the TRST\_N pin can be tied to ground to hold the JTAG module in reset.

The DEBUG\_N pin is used to synchronize the debugging of multiple xCORE Tiles. This pin can operate in both output and input mode. In output mode and when configured to do so, DEBUG\_N is driven low by the device when the processor hits a debug break point. Prior to this point the pin will be tri-stated. In input mode and when configured to do so, driving this pin low will put the xCORE Tile into debug mode. Software can set the behavior of the xCORE Tile based on this pin. This pin should have an external pull up of 4K7-47KΩ or left not connected in single core applications.

The JTAG device identification register can be read by using the IDCODE instruction. Its contents are specified in Figure 12.

**Figure 12:**  
IDCODE return value

Device Identification Register															Bit31	Bit0																	
Version				Part Number										Manufacturer Identity						1													
0	0	0	0	0	0	0	0	0	0	0	0	0	0	0	0	0	1	0	0	0	1	1	0	0	0	0	1	1	0	0	1	1	1
0				0				0		0		2		6			3			3													

The JTAG usercode register can be read by using the USERCODE instruction. Its contents are specified in Figure 13. The OTP User ID field is read from bits [22:31] of the security register on xCORE Tile 0, see §8.1 (all zero on unprogrammed devices).

**Figure 13:**  
USERCODE return value

Usercode Register																	Bit31	Bit0																				
OTP User ID								Unused				Silicon Revision																										
0	0	0	0	0	0	0	0	0	0	0	0	0	0	0	0	0	1	0	1	0	0	0	0	0	0	0	0	0	0	0	0	0	0	0	0	0	0	0
0								0				2		8			0			0			0															

## 9.1 PCU

PCU\_WAKE should be left unconnected, PCU\_GATE should be left unconnected and PCU\_CLK must be tied to CLK.

## 10 Board Integration

The device has the following power supply pins:

- ▶ VDD pins for the xCORE Tile
- ▶ VDDIO pins for the I/O lines
- ▶ PLL\_AVDD pins for the PLL
- ▶ PCU\_VDD and PCU\_VDDIO pins for the PCU
- ▶ OTP\_VCC pins for the OTP

Several pins of each type are provided to minimize the effect of inductance within the package, all of which must be connected. The power supplies must be brought up monotonically and input voltages must not exceed specification at any time.

The VDD supply must ramp from 0 V to its final value within 10 ms to ensure correct startup.

The VDDIO and OTP\_VCC supply must ramp to its final value before VDD reaches 0.4 V.

The PLL\_AVDD supply should be separated from the other noisier supplies on the board. The PLL requires a very clean power supply, and a low pass filter (for example, a 2.2  $\Omega$  resistor and 100 nF multi-layer ceramic capacitor) is recommended on this pin.

The PCU\_VDD supply must be connected to the VDD supply.

The PCU\_VDDIO supply must be connected to the VDDIO supply.

The OTP\_VCC supply should be connected to the VDDIO supply.

The following ground pins are provided:

- ▶ PLL\_AGND for PLL\_AVDD
- ▶ GND for all other supplies

All ground pins must be connected directly to the board ground.

The VDD and VDDIO supplies should be decoupled close to the chip by several 100 nF low inductance multi-layer ceramic capacitors between the supplies and GND (for example, 4x100nF 0402 low inductance MLCCs per supply rail). The ground side of the decoupling capacitors should have as short a path back to the

GND pins as possible. A bulk decoupling capacitor of at least 10  $\mu$ F should be placed on each of these supplies.

RST\_N is an active-low asynchronous-assertion global reset signal. Following a reset, the PLL re-establishes lock after which the device boots up according to the boot mode (see §7). RST\_N and must be asserted low during and after power up for 100 ns.

## 10.1 Land patterns and solder stencils

The land pattern recommendations in this document are based on a RoHS compliant process and derived, where possible, from the nominal *Generic Requirements for Surface Mount Design and Land Pattern Standards IPC-7351B* specifications. This standard aims to achieve desired targets of heel, toe and side fillets for solder-joints.

Solder paste and ground via recommendations are based on our engineering and development kit board production. They have been found to work and optimized as appropriate to achieve a high yield. The size, type and number of vias used in the center pad affects how much solder wicks down the vias during reflow. This in turn, along with solder paster coverage, affects the final assembled package height. These factors should be taken into account during design and manufacturing of the PCB.

The following land patterns and solder paste contains recommendations. Final land pattern and solder paste decisions are the responsibility of the customer. These should be tuned during manufacture to suit the manufacturing process.

The package is a 124 pin dual row Quad Flat No lead package with exposed heat slug on a 0.5mm pitch. An example land pattern is shown in Figure 14.

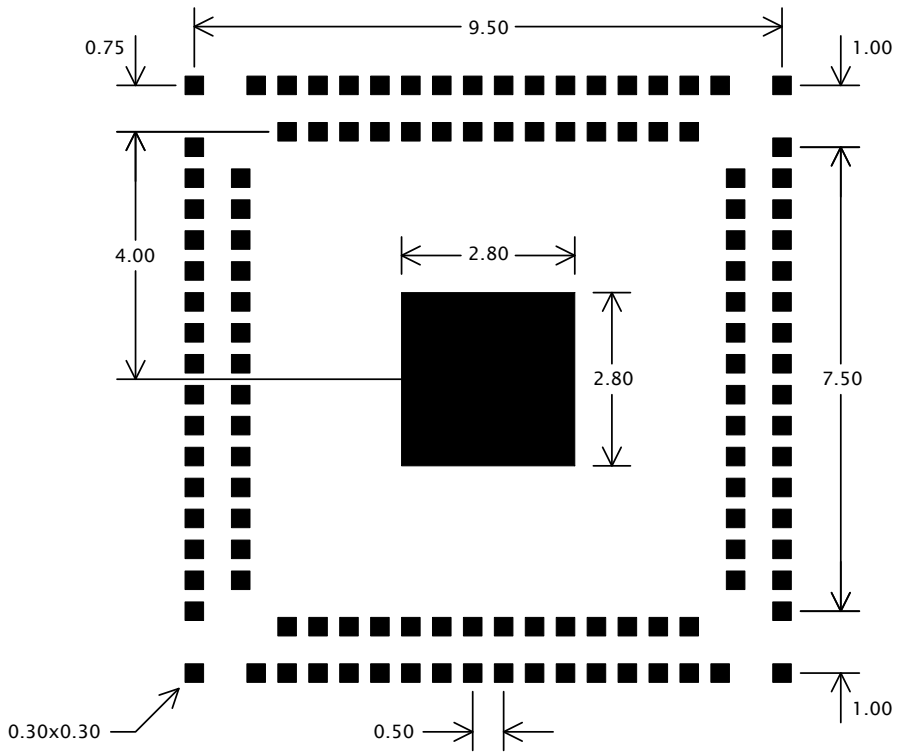
Pad widths and spacings are such that solder mask can still be applied between the pads using standard design rules. This is highly recommended to reduce solder shorts between pads. See the recommended PCB solder mask diagram in Figure 15.

## 10.2 Solder Stencil

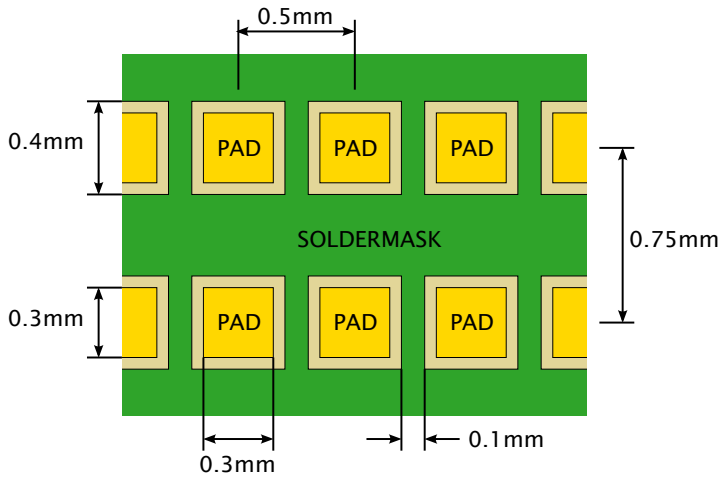
The solder joints in the QFN package are formed exclusively from the solder paste deposited from the solder stencil. At the small aperture sizes required, the design of the stencil becomes important to ensure a reliable final solder joint volume and reliable solder joints.

The solder stencil recommendations here are based on those suggested in the IPC specification IPC-7525A "Stencil Design Guidelines".

As the aperture size in the stencil becomes very small, the amount of solder which remains on the PCB pad after printing is reduced. This occurs due to friction between the walls of the stencil and the solder paste dragging the paste from the pad when the stencil is removed. This effect is minimized as the thickness of the stencil is reduced.

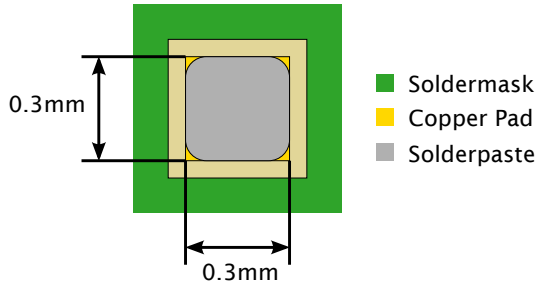


**Figure 14:**  
Example land pattern



**Figure 15:**  
Detail of outer pads

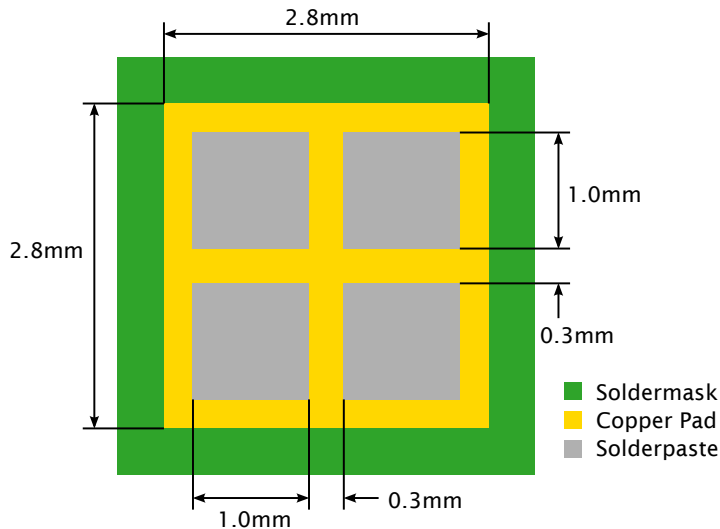
For the 124 pin QFN package, our recommendations are to use a 4mil thick laser cut stencil. The solder stencil apertures for the pads should be 0.3mm square with 0.06mm radiused corners. This is the same size as the pads themselves apart from radiused corners to aid in paste transfer. This can be seen in the Figure 16.



**Figure 16:**  
Solder stencil  
for outer  
pads

These dimensions should be the final aperture sizes used on the stencil, this should be agreed with the stencil makers or assembly house. It is common for assembly houses to subject the paste mask data to a global undersize before cutting the stencil. If this undersize is applied to these small apertures the paste transfer is likely to be poor and open solder joints may result.

For the center pad of this package, four squares of solder paste is recommended, 1mm on a side as shown in Figure 17. This gives a paste to pad area ratio of 51%.



**Figure 17:**  
Solder stencil  
for centre  
pad

### 10.3 Ground and Thermal Vias

Vias under the heat slug into the ground plane of the PCB are recommended for a low inductance ground connection and good thermal performance. A 3 x 3 grid of

vias, with a 0.6mm diameter annular ring and a 0.3mm drill, equally spaced across the heat slug, would be suitable.

#### 10.4 Moisture Sensitivity

XMOS devices are, like all semiconductor devices, susceptible to moisture absorption. When removed from the sealed packaging, the devices slowly absorb moisture from the surrounding environment. If the level of moisture present in the device is too high during reflow, damage can occur due to the increased internal vapour pressure of moisture. Example damage can include bond wire damage, die lifting, internal or external package cracks and/or delamination.

All XMOS devices are Moisture Sensitivity Level (MSL) 3 - devices have a shelf life of 168 hours between removal from the packaging and reflow, provided they are stored below 30C and 60% RH. If devices have exceeded these values or an included moisture indicator card shows excessive levels of moisture, then the parts should be baked as appropriate before use. This is based on information from *Joint IPC/JEDEC Standard For Moisture/Reflow Sensitivity Classification For Nonhermetic Solid State Surface-Mount Devices* [J-STD-020](#) Revision D.



## 11 DC and Switching Characteristics

### 11.1 Operating Conditions

Symbol	Parameter	MIN	TYP	MAX	UNITS	Notes
VDD	Tile DC supply voltage	0.95	1.00	1.05	V	
VDDIO	I/O supply voltage	3.00	3.30	3.60	V	
PLL_AVDD	PLL analog supply	0.95	1.00	1.05	V	
PCU_VDD	PCU tile DC supply voltage	0.95	1.00	1.05	V	
PCU_VDDIO	PCU I/O DC supply voltage	3.00	3.30	3.60	V	
OTP_VCC	OTP supply voltage	3.00	3.30	3.60	V	
CI	xCORE Tile I/O load capacitance			25	pF	
Ta	Ambient operating temperature (Commercial)	0		70	°C	
	Ambient operating temperature (Industrial)	-40		85	°C	
Tj	Junction temperature			125	°C	
Tstg	Storage temperature	-65		150	°C	

**Figure 18:**  
Operating conditions

### 11.2 DC Characteristics

Symbol	Parameter	MIN	TYP	MAX	UNITS	Notes
V(IH)	Input high voltage	2.00		3.60	V	A
V(IL)	Input low voltage	-0.30		0.70	V	A
V(OH)	Output high voltage	2.00			V	B, C
V(OL)	Output low voltage			0.60	V	B, C
R(PU)	Pull-up resistance		35K		Ω	D
R(PD)	Pull-down resistance		35K		Ω	D

**Figure 19:**  
DC characteristics

- A All pins except power supply pins.
- B Ports 1A, 1D, 1E, 1H, 1I, 1J, 1K and 1L are nominal 8 mA drivers, the remainder of the general-purpose I/Os are 4 mA.
- C Measured with 4 mA drivers sourcing 4 mA, 8 mA drivers sourcing 8 mA.
- D Used to guarantee logic state for an I/O when high impedance. The internal pull-ups/pull-downs should not be used to pull external circuitry.

### 11.3 ESD Stress Voltage

Symbol	Parameter	MIN	TYP	MAX	UNITS	Notes
HBM	Human body model	-2.00		2.00	KV	
MM	Machine model	-200		200	V	

**Figure 20:**  
ESD stress voltage

### 11.4 Reset Timing

**Figure 21:**  
Reset timing

Symbol	Parameters	MIN	TYP	MAX	UNITS	Notes
T(RST)	Reset pulse width	5			us	
T(INIT)	Initialization time			150	µs	A

A Shows the time taken to start booting after RST\_N has gone high.

### 11.5 Power Consumption

**Figure 22:**  
xCORE Tile currents

Symbol	Parameter	MIN	TYP	MAX	UNITS	Notes
I(DDCQ)	Quiescent VDD current		28		mA	A, B, C
PD	Tile power dissipation		450		µW/MIPS	A, D, E, F
IDD	Active VDD current (Speed Grade 8)		320	600	mA	A, G
	Active VDD current (Speed Grade 10)		400	750	mA	A, H
I(ADDPLL)	PLL_AVDD current			14	mA	I

A Use for budgetary purposes only.

B Assumes typical tile and I/O voltages with no switching activity.

C Includes PLL current.

D Assumes typical tile and I/O voltages with nominal switching activity.

E Assumes 1 MHz = 1 MIPS.

F PD(TYP) value is the usage power consumption under typical operating conditions.

G Measurement conditions: VDD = 1.0 V, VDDIO = 3.3 V, 25 °C, 400 MHz, average device resource usage.

H Measurement conditions: VDD = 1.0 V, VDDIO = 3.3 V, 25 °C, 500 MHz, average device resource usage.

I PLL\_AVDD = 1.0 V



The tile power consumption of the device is highly application dependent and should be used for budgetary purposes only.

More detailed power analysis can be found in the XS1-L Power Consumption document, [X2999](#).

### 11.6 Clock

Symbol	Parameter	MIN	TYP	MAX	UNITS	Notes
f	Frequency	4.22	20	100	MHz	
SR	Slew rate	0.10			V/ns	
TJ(LT)	Long term jitter (pk-pk)			2	%	A
f(MAX)	Processor clock frequency (Speed Grade 8)			400	MHz	B
	Processor clock frequency (Speed Grade 10)			500	MHz	B

**Figure 23:**  
Clock

A Percentage of CLK period.  
 B Assumes typical tile and I/O voltages with nominal activity.

Further details can be found in the XS1-L Clock Frequency Control document, [X1433](#).

### 11.7 xCORE Tile I/O AC Characteristics

Symbol	Parameter	MIN	TYP	MAX	UNITS	Notes
T(XOVALID)	Input data valid window	8			ns	
T(XOINVALID)	Output data invalid window	9			ns	
T(XIFMAX)	Rate at which data can be sampled with respect to an external clock			60	MHz	

**Figure 24:**  
I/O AC characteristics

The input valid window parameter relates to the capability of the device to capture data input to the chip with respect to an external clock source. It is calculated as the sum of the input setup time and input hold time with respect to the external clock as measured at the pins. The output invalid window specifies the time for which an output is invalid with respect to the external clock. Note that these parameters are specified as a window rather than absolute numbers since the device provides functionality to delay the incoming clock with respect to the incoming data.

Information on interfacing to high-speed synchronous interfaces can be found in the XS1 Port I/O Timing document, [X5821](#).

### 11.8 xConnect Link Performance

Symbol	Parameter	MIN	TYP	MAX	UNITS	Notes
B(2blinkP)	2b link bandwidth (packetized)			87	MBit/s	A, B
B(5blinkP)	5b link bandwidth (packetized)			217	MBit/s	A, B
B(2blinkS)	2b link bandwidth (streaming)			100	MBit/s	B
B(5blinkS)	5b link bandwidth (streaming)			250	MBit/s	B

**Figure 25:**  
Link performance

A Assumes 32-byte packet in 3-byte header mode. Actual performance depends on size of the header and payload.  
 B 7.5 ns symbol time.

The asynchronous nature of links means that the relative phasing of CLK clocks is not important in a multi-clock system, providing each meets the required stability criteria.

### 11.9 JTAG Timing

Symbol	Parameter	MIN	TYP	MAX	UNITS	Notes
f(TCK_D)	TCK frequency (debug)			18	MHz	
f(TCK_B)	TCK frequency (boundary scan)			10	MHz	
T(SETUP)	TDO to TCK setup time	5			ns	A
T(HOLD)	TDO to TCK hold time	5			ns	A
T(DELAY)	TCK to output delay			15	ns	B

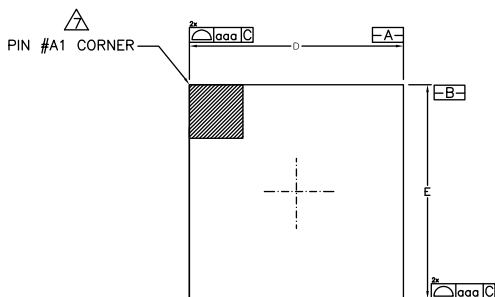
**Figure 26:**  
JTAG timing

A Timing applies to TMS and TDI inputs.

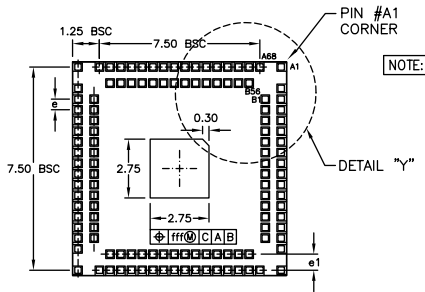
B Timing applies to TDO output from negative edge of TCK.

All JTAG operations are synchronous to TCK apart from the global asynchronous reset TRST\_N.

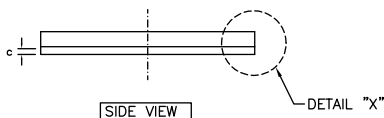
### 12 Package Information



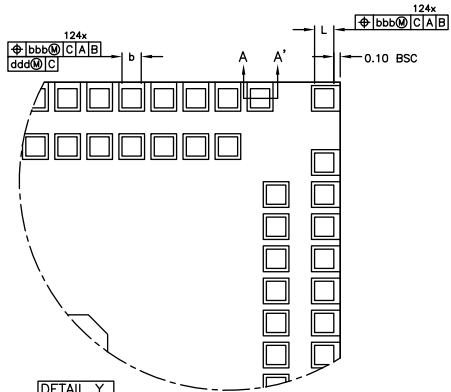
TOP VIEW



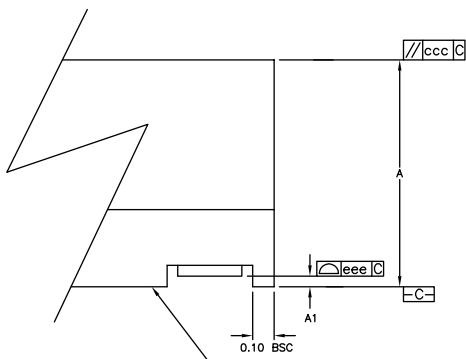
BOTTOM VIEW



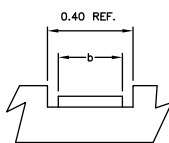
SIDE VIEW



DETAIL Y



DETAIL X

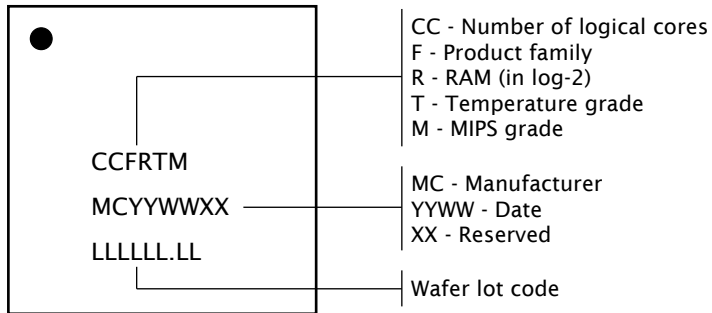


A-A'

SYMBOL	MIN.	NOM.	MAX.
A	1.01	1.06	1.11
A1	0.00	-	0.05
D	9.90	10.00	10.10
E	9.90	10.00	10.10
aaa			0.10
bbb			0.10
ccc			0.10
ddd			0.08
eee			0.08
fff			0.10
b	0.25	0.30	0.35
L	0.25	0.30	0.35
e		0.50 BSC.	
e1		0.75 BSC.	
c		0.36 REF.	

1. ALL DIMENSIONS ARE IN MILLIMETERS.
  2. DIMENSIONING AND TOLERANCING PER ASME Y14.5M-1994
- PRIMARY DATUM AND SEATING PLANE ARE DESIGNED BY THE SPHERICAL CROWNS OF THE SOLDER BALLS.  
 A1 CORNER MUST BE IDENTIFIED BY INK OR LASER MARK.

### 12.1 Part Marking



**Figure 27:**  
Part marking scheme

## 13 Ordering Information

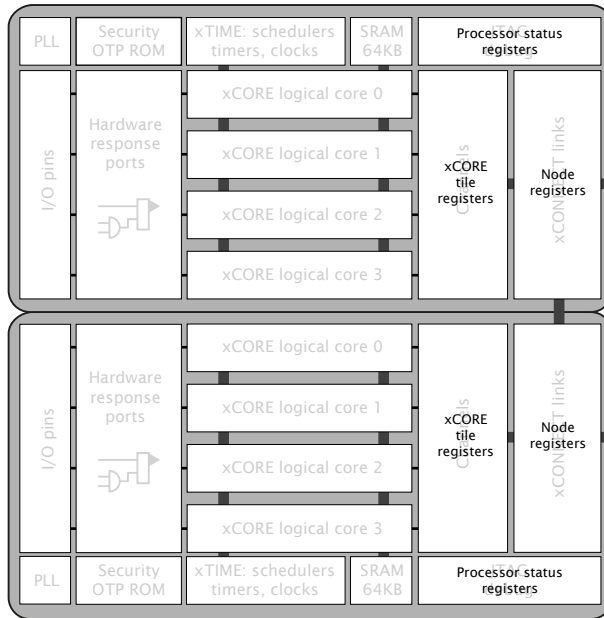
Product Code	Marking	Qualification	Speed Grade
XS1-L8A-128-QF124-C8	8L7C8	Commercial	800 MIPS
XS1-L8A-128-QF124-C10	8L7C10	Commercial	1000 MIPS
XS1-L8A-128-QF124-I8	8L7I8	Industrial	800 MIPS
XS1-L8A-128-QF124-I10	8L7I10	Industrial	1000 MIPS

**Figure 28:**  
Orderable part numbers

## Appendices

### A Configuration of the XS1

The device is configured through three banks of registers, as shown in Figure 29.



**Figure 29:**  
Registers

The following communication sequences specify how to access those registers. Any messages transmitted contain the most significant 24 bits of the channel-end to which a response is to be sent. This comprises the node-identifier and the channel number within the node. If no response is required on a write operation, supply 24-bits with the last 8-bits set, which suppresses the reply message. Any multi-byte data is sent most significant byte first.

#### A.1 Accessing a processor status register

The processor status registers are accessed directly from the processor instruction set. The instructions GETPS and SETPS read and write a word. The register number should be translated into a processor-status resource identifier by shifting the register number left 8 places, and ORing it with 0x0C. Alternatively, the functions `getps(reg)` and `setps(reg,value)` can be used from XC.

#### A.2 Accessing an xCORE Tile configuration register

xCORE Tile configuration registers can be accessed through the interconnect using the functions `write_tile_config_reg(tileref, ...)` and `read_tile_config_reg(tile`

↪ `ref, ...`), where `tileref` is the name of the xCORE Tile, e.g. `tile[1]`. These functions implement the protocols described below.

Instead of using the functions above, a channel-end can be allocated to communicate with the xCORE tile configuration registers. The destination of the channel-end should be set to `0xnnnnnC20C` where `nnnnn` is the tile-identifier.

A write message comprises the following:

control-token 192	24-bit response channel-end identifier	16-bit register number	32-bit data	control-token 1
----------------------	---	---------------------------	----------------	--------------------

The response to a write message comprises either control tokens 3 and 1 (for success), or control tokens 4 and 1 (for failure).

A read message comprises the following:

control-token 193	24-bit response channel-end identifier	16-bit register number	control-token 1
----------------------	---	---------------------------	--------------------

The response to the read message comprises either control token 3, 32-bit of data, and control-token 1 (for success), or control tokens 4 and 1 (for failure).

### A.3 Accessing node configuration

Node configuration registers can be accessed through the interconnect using the functions `write_node_config_reg(device, ...)` and `read_node_config_reg(device, ↪ ...)`, where `device` is the name of the node. These functions implement the protocols described below.

Instead of using the functions above, a channel-end can be allocated to communicate with the node configuration registers. The destination of the channel-end should be set to `0xnnnnnC30C` where `nnnn` is the node-identifier.

A write message comprises the following:

control-token 192	24-bit response channel-end identifier	16-bit register number	32-bit data	control-token 1
----------------------	---	---------------------------	----------------	--------------------

The response to a write message comprises either control tokens 3 and 1 (for success), or control tokens 4 and 1 (for failure).

A read message comprises the following:

control-token 193	24-bit response channel-end identifier	16-bit register number	control-token 1
----------------------	---	---------------------------	--------------------

The response to a read message comprises either control token 3, 32-bit of data, and control-token 1 (for success), or control tokens 4 and 1 (for failure).



## B Processor Status Configuration

The processor status control registers can be accessed directly by the processor using processor status reads and writes (use `getps(reg)` and `setps(reg,value)` for reads and writes).

Number	Perm	Description
0x00	RW	RAM base address
0x01	RW	Vector base address
0x02	RW	xCORE Tile control
0x03	RO	xCORE Tile boot status
0x05	RO	Security configuration
0x06	RW	Ring Oscillator Control
0x07	RO	Ring Oscillator Value
0x08	RO	Ring Oscillator Value
0x09	RO	Ring Oscillator Value
0x0A	RO	Ring Oscillator Value
0x10	DRW	Debug SSR
0x11	DRW	Debug SPC
0x12	DRW	Debug SSP
0x13	DRW	DGETREG operand 1
0x14	DRW	DGETREG operand 2
0x15	DRW	Debug interrupt type
0x16	DRW	Debug interrupt data
0x18	DRW	Debug core control
0x20 .. 0x27	DRW	Debug scratch
0x30 .. 0x33	DRW	Instruction breakpoint address
0x40 .. 0x43	DRW	Instruction breakpoint control
0x50 .. 0x53	DRW	Data watchpoint address 1
0x60 .. 0x63	DRW	Data watchpoint address 2
0x70 .. 0x73	DRW	Data breakpoint control register
0x80 .. 0x83	DRW	Resources breakpoint mask
0x90 .. 0x93	DRW	Resources breakpoint value
0x9C .. 0x9F	DRW	Resources breakpoint control register

**Figure 30:**  
Summary

**B.1 RAM base address: 0x00**

This register contains the base address of the RAM. It is initialized to 0x00010000.

<b>0x00:</b> RAM base address	Bits	Perm	Init	Description
	31:2	RW		Most significant 16 bits of all addresses.
	1:0	RO	-	Reserved

**B.2 Vector base address: 0x01**

Base address of event vectors in each resource. On an interrupt or event, the 16 most significant bits of the destination address are provided by this register; the least significant 16 bits come from the event vector.

<b>0x01:</b> Vector base address	Bits	Perm	Init	Description
	31:16	RW		The most significant bits for all event and interrupt vectors.
	15:0	RO	-	Reserved

**B.3 xCORE Tile control: 0x02**

Register to control features in the xCORE tile

<b>0x02:</b> xCORE Tile control	Bits	Perm	Init	Description
	31:6	RO	-	Reserved
	5	RW	0	Set to 1 to select the dynamic mode for the clock divider when the clock divider is enabled. In dynamic mode the clock divider is only activated when all active logical cores are paused. In static mode the clock divider is always enabled.
	4	RW	0	Set to 1 to enable the clock divider. This slows down the xCORE tile clock in order to use less power.
	3:0	RO	-	Reserved

**B.4 xCORE Tile boot status: 0x03**

This read-only register describes the boot status of the xCORE tile.

**0x03:**  
xCORE Tile  
boot status

Bits	Perm	Init	Description
31:24	RO	-	Reserved
23:16	RO		xCORE tile number on the switch.
15:9	RO	-	Reserved
8	RO		Set to 1 if boot from OTP is enabled.
7:0	RO		The boot mode pins MODE0, MODE1, ..., specifying the boot frequency, boot source, etc.

### B.5 Security configuration: 0x05

Copy of the security register as read from OTP.

**0x05:**  
Security  
configuration

Bits	Perm	Init	Description
31:0	RO		Value.

### B.6 Ring Oscillator Control: 0x06

There are four free-running oscillators that clock four counters. The oscillators can be started and stopped using this register. The counters should only be read when the ring oscillator is stopped. The counter values can be read using four subsequent registers. The ring oscillators are asynchronous to the xCORE tile clock and can be used as a source of random bits.

**0x06:**  
Ring  
Oscillator  
Control

Bits	Perm	Init	Description
31:2	RO	-	Reserved
1	RW	0	Set to 1 to enable the xCORE tile ring oscillators
0	RW	0	Set to 1 to enable the peripheral ring oscillators

### B.7 Ring Oscillator Value: 0x07

This register contains the current count of the xCORE Tile Cell ring oscillator. This value is not reset on a system reset.

**0x07:**  
Ring  
Oscillator  
Value

Bits	Perm	Init	Description
31:16	RO	-	Reserved
15:0	RO	-	Ring oscillator counter data.

**B.8 Ring Oscillator Value: 0x08**

This register contains the current count of the xCORE Tile Wire ring oscillator. This value is not reset on a system reset.

<b>0x08:</b> Ring Oscillator Value	Bits	Perm	Init	Description
	31:16	RO	-	Reserved
	15:0	RO	-	Ring oscillator counter data.

**B.9 Ring Oscillator Value: 0x09**

This register contains the current count of the Peripheral Cell ring oscillator. This value is not reset on a system reset.

<b>0x09:</b> Ring Oscillator Value	Bits	Perm	Init	Description
	31:16	RO	-	Reserved
	15:0	RO	-	Ring oscillator counter data.

**B.10 Ring Oscillator Value: 0x0A**

This register contains the current count of the Peripheral Wire ring oscillator. This value is not reset on a system reset.

<b>0x0A:</b> Ring Oscillator Value	Bits	Perm	Init	Description
	31:16	RO	-	Reserved
	15:0	RO	-	Ring oscillator counter data.

**B.11 Debug SSR: 0x10**

This register contains the value of the SSR register when the debugger was called.

<b>0x10:</b> Debug SSR	Bits	Perm	Init	Description
	31:0	RO	-	Reserved

**B.12 Debug SPC: 0x11**

This register contains the value of the SPC register when the debugger was called.

<b>0x11:</b> Debug SPC	Bits	Perm	Init	Description
	31:0	DRW		Value.

**B.13 Debug SSP: 0x12**

This register contains the value of the SSP register when the debugger was called.

<b>0x12:</b> Debug SSP	Bits	Perm	Init	Description
	31:0	DRW		Value.

**B.14 DGETREG operand 1: 0x13**

The resource ID of the logical core whose state is to be read.

<b>0x13:</b> DGETREG operand 1	Bits	Perm	Init	Description
	31:8	RO	-	Reserved
	7:0	DRW		Thread number to be read

**B.15 DGETREG operand 2: 0x14**

Register number to be read by DGETREG

<b>0x14:</b> DGETREG operand 2	Bits	Perm	Init	Description
	31:5	RO	-	Reserved
	4:0	DRW		Register number to be read

**B.16 Debug interrupt type: 0x15**

Register that specifies what activated the debug interrupt.

**0x15:**  
Debug  
interrupt type

Bits	Perm	Init	Description
31:18	RO	-	Reserved
17:16	DRW		If the debug interrupt was caused by a hardware breakpoint or hardware watchpoint, this field contains the number of the breakpoint or watchpoint. If multiple breakpoints or watchpoints trigger at once, the lowest number is taken.
15:8	DRW		If the debug interrupt was caused by a logical core, this field contains the number of that core. Otherwise this field is 0.
7:3	RO	-	Reserved
2:0	DRW	0	Indicates the cause of the debug interrupt 1: Host initiated a debug interrupt through JTAG 2: Program executed a DCALL instruction 3: Instruction breakpoint 4: Data watch point 5: Resource watch point

### B.17 Debug interrupt data: 0x16

On a data watchpoint, this register contains the effective address of the memory operation that triggered the debugger. On a resource watchpoint, it contains the resource identifier.

**0x16:**  
Debug  
interrupt data

Bits	Perm	Init	Description
31:0	DRW		Value.

### B.18 Debug core control: 0x18

This register enables the debugger to temporarily disable logical cores. When returning from the debug interrupts, the cores set in this register will not execute. This enables single stepping to be implemented.

**0x18:**  
Debug core  
control

Bits	Perm	Init	Description
31:8	RO	-	Reserved
7:0	DRW		1-hot vector defining which logical cores are stopped when not in debug mode. Every bit which is set prevents the respective logical core from running.

**B.19 Debug scratch: 0x20 .. 0x27**

A set of registers used by the debug ROM to communicate with an external debugger, for example over JTAG. This is the same set of registers as the [Debug Scratch registers in the xCORE tile configuration](#).

**0x20 .. 0x27:**  
Debug  
scratch

Bits	Perm	Init	Description
31:0	DRW		Value.

**B.20 Instruction breakpoint address: 0x30 .. 0x33**

This register contains the address of the instruction breakpoint. If the PC matches this address, then a debug interrupt will be taken. There are four instruction breakpoints that are controlled individually.

**0x30 .. 0x33:**  
Instruction  
breakpoint  
address

Bits	Perm	Init	Description
31:0	DRW		Value.

**B.21 Instruction breakpoint control: 0x40 .. 0x43**

This register controls which logical cores may take an instruction breakpoint, and under which condition.

Bits	Perm	Init	Description
31:24	RO	-	Reserved
23:16	DRW	0	A bit for each logical core in the tile allowing the breakpoint to be enabled individually for each logical core.
15:2	RO	-	Reserved
1	DRW	0	Set to 1 to cause an instruction breakpoint if the PC is not equal to the breakpoint address. By default, the breakpoint is triggered when the PC is equal to the breakpoint address.
0	DRW	0	When 1 the instruction breakpoint is enabled.

**0x40 .. 0x43:**  
Instruction  
breakpoint  
control

**B.22 Data watchpoint address 1: 0x50 .. 0x53**

This set of registers contains the first address for the four data watchpoints.

**0x50 .. 0x53:**  
Data  
watchpoint  
address 1

Bits	Perm	Init	Description
31:0	DRW		Value.

**B.23 Data watchpoint address 2: 0x60 .. 0x63**

This set of registers contains the second address for the four data watchpoints.

**0x60 .. 0x63:**  
Data  
watchpoint  
address 2

Bits	Perm	Init	Description
31:0	DRW		Value.

**B.24 Data breakpoint control register: 0x70 .. 0x73**

This set of registers controls each of the four data watchpoints.

**0x70 .. 0x73:**  
Data  
breakpoint  
control  
register

Bits	Perm	Init	Description
31:24	RO	-	Reserved
23:16	DRW	0	A bit for each logical core in the tile allowing the breakpoint to be enabled individually for each logical core.
15:3	RO	-	Reserved
2	DRW	0	Set to 1 to enable breakpoints to be triggered on loads. Breakpoints always trigger on stores.
1	DRW	0	By default, data watchpoints trigger if memory in the range [Address1..Address2] is accessed (the range is inclusive of Address1 and Address2). If set to 1, data watchpoints trigger if memory outside the range (Address2..Address1) is accessed (the range is exclusive of Address2 and Address1).
0	DRW	0	When 1 the instruction breakpoint is enabled.

**B.25 Resources breakpoint mask: 0x80 .. 0x83**

This set of registers contains the mask for the four resource watchpoints.



**0x80 .. 0x83:**  
Resources  
breakpoint  
mask

Bits	Perm	Init	Description
31:0	DRW		Value.

## B.26 Resources breakpoint value: 0x90 .. 0x93

This set of registers contains the value for the four resource watchpoints.

**0x90 .. 0x93:**  
Resources  
breakpoint  
value

Bits	Perm	Init	Description
31:0	DRW		Value.

## B.27 Resources breakpoint control register: 0x9C .. 0x9F

This set of registers controls each of the four resource watchpoints.

**0x9C .. 0x9F:**  
Resources  
breakpoint  
control  
register

Bits	Perm	Init	Description
31:24	RO	-	Reserved
23:16	DRW	0	A bit for each logical core in the tile allowing the breakpoint to be enabled individually for each logical core.
15:2	RO	-	Reserved
1	DRW	0	By default, resource watchpoints trigger when the resource id masked with the set <a href="#">Mask</a> equals the <a href="#">Value</a> . If set to 1, resource watchpoints trigger when the resource id masked with the set <a href="#">Mask</a> is not equal to the <a href="#">Value</a> .
0	DRW	0	When 1 the instruction breakpoint is enabled.

## C Tile Configuration

The xCORE Tile control registers can be accessed using configuration reads and writes (use `write_tile_config_reg(tileref, ...)` and `read_tile_config_reg(tileref, ...)` for reads and writes).

Number	Perm	Description
0x00	RO	Device identification
0x01	RO	xCORE Tile description 1
0x02	RO	xCORE Tile description 2
0x04	CRW	Control PSwitch permissions to debug registers
0x05	CRW	Cause debug interrupts
0x06	RW	xCORE Tile clock divider
0x07	RO	Security configuration
0x10 .. 0x13	RO	PLink status
0x20 .. 0x27	CRW	Debug scratch
0x40	RO	PC of logical core 0
0x41	RO	PC of logical core 1
0x42	RO	PC of logical core 2
0x43	RO	PC of logical core 3
0x60	RO	SR of logical core 0
0x61	RO	SR of logical core 1
0x62	RO	SR of logical core 2
0x63	RO	SR of logical core 3
0x80 .. 0x9F	RO	Chanend status

**Figure 31:**  
Summary

### C.1 Device identification: 0x00

Bits	Perm	Init	Description
31:24	RO		Processor ID of this xCORE tile.
23:16	RO		Number of the node in which this xCORE tile is located.
15:8	RO		xCORE tile revision.
7:0	RO		xCORE tile version.

**0x00:**  
Device  
identification

### C.2 xCORE Tile description 1: 0x01

This register describes the number of logical cores, synchronisers, locks and channel ends available on this xCORE tile.

**0x01:**  
xCORE Tile  
description 1

Bits	Perm	Init	Description
31:24	RO		Number of channel ends.
23:16	RO		Number of locks.
15:8	RO		Number of synchronisers.
7:0	RO	-	Reserved

### C.3 xCORE Tile description 2: 0x02

This register describes the number of timers and clock blocks available on this xCORE tile.

**0x02:**  
xCORE Tile  
description 2

Bits	Perm	Init	Description
31:16	RO	-	Reserved
15:8	RO		Number of clock blocks.
7:0	RO		Number of timers.

### C.4 Control PSwitch permissions to debug registers: 0x04

This register can be used to control whether the debug registers (marked with permission CRW) are accessible through the tile configuration registers. When this bit is set, write -access to those registers is disabled, preventing debugging of the xCORE tile over the interconnect.

**0x04:**  
Control  
PSwitch  
permissions  
to debug  
registers

Bits	Perm	Init	Description
31:1	RO	-	Reserved
0	CRW		Set to 1 to restrict PSwitch access to all CRW marked registers to become read-only rather than read-write.

### C.5 Cause debug interrupts: 0x05

This register can be used to raise a debug interrupt in this xCORE tile.

Bits	Perm	Init	Description
31:2	RO	-	Reserved
1	RO	0	Set to 1 when the processor is in debug mode.
0	CRW	0	Set to 1 to request a debug interrupt on the processor.

**0x05:**  
Cause debug  
interrupts

### C.6 xCORE Tile clock divider: 0x06

This register contains the value used to divide the PLL clock to create the xCORE tile clock. The divider is enabled under control of the [tile control register](#)

Bits	Perm	Init	Description
31:8	RO	-	Reserved
7:0	RW		Value of the clock divider minus one.

**0x06:**  
xCORE Tile  
clock divider

### C.7 Security configuration: 0x07

Copy of the security register as read from OTP.

Bits	Perm	Init	Description
31:0	RO		Value.

**0x07:**  
Security  
configuration

### C.8 PLink status: 0x10 .. 0x13

Status of each of the four processor links; connecting the xCORE tile to the switch.

Bits	Perm	Init	Description
31:26	RO	-	Reserved
25:24	RO		00 - ChannelEnd, 01 - ERROR, 10 - PSCTL, 11 - Idle.
23:16	RO		Based on SRC_TARGET_TYPE value, it represents channelEnd ID or Idle status.
15:6	RO	-	Reserved
5:4	RO		Two-bit network identifier
3	RO	-	Reserved
2	RO		1 when the current packet is considered junk and will be thrown away.
1	RO	0	Set to 1 if the switch is routing data into the link, and if a route exists from another link.
0	RO	0	Set to 1 if the link is routing data into the switch, and if a route is created to another link on the switch.

**0x10 .. 0x13:**  
PLink status

### C.9 Debug scratch: 0x20 .. 0x27

A set of registers used by the debug ROM to communicate with an external debugger, for example over the switch. This is the same set of registers as the [Debug Scratch registers in the processor status](#).

**0x20 .. 0x27:**  
Debug scratch

Bits	Perm	Init	Description
31:0	CRW		Value.

### C.10 PC of logical core 0: 0x40

Value of the PC of logical core 0.

**0x40:**  
PC of logical core 0

Bits	Perm	Init	Description
31:0	RO		Value.

**C.11 PC of logical core 1: 0x41**

**0x41:**  
PC of logical core 1

Bits	Perm	Init	Description
31:0	RO		Value.

**C.12 PC of logical core 2: 0x42**

**0x42:**  
PC of logical core 2

Bits	Perm	Init	Description
31:0	RO		Value.

**C.13 PC of logical core 3: 0x43**

**0x43:**  
PC of logical core 3

Bits	Perm	Init	Description
31:0	RO		Value.

**C.14 SR of logical core 0: 0x60**

Value of the SR of logical core 0

**0x60:**  
SR of logical core 0

Bits	Perm	Init	Description
31:0	RO		Value.

**C.15 SR of logical core 1: 0x61**

**0x61:**  
SR of logical core 1

Bits	Perm	Init	Description
31:0	RO		Value.

**C.16 SR of logical core 2: 0x62**

**0x62:**  
SR of logical core 2

Bits	Perm	Init	Description
31:0	RO		Value.

**C.17 SR of logical core 3: 0x63**

**0x63:**  
SR of logical core 3

Bits	Perm	Init	Description
31:0	RO		Value.

**C.18 Chanend status: 0x80 .. 0x9F**

These registers record the status of each channel-end on the tile.

**0x80 .. 0x9F:**  
Chanend status

Bits	Perm	Init	Description
31:26	RO	-	Reserved
25:24	RO		00 - ChannelEnd, 01 - ERROR, 10 - PSCTL, 11 - Idle.
23:16	RO		Based on SRC_TARGET_TYPE value, it represents channelEnd ID or Idle status.
15:6	RO	-	Reserved
5:4	RO		Two-bit network identifier
3	RO	-	Reserved
2	RO		1 when the current packet is considered junk and will be thrown away.
1	RO	0	Set to 1 if the switch is routing data into the link, and if a route exists from another link.
0	RO	0	Set to 1 if the link is routing data into the switch, and if a route is created to another link on the switch.

## D Node Configuration

The digital node control registers can be accessed using configuration reads and writes (use `write_node_config_reg(device, ...)` and `read_node_config_reg(device, ...)` for reads and writes).

Number	Perm	Description
0x00	RO	Device identification
0x01	RO	System switch description
0x04	RW	Switch configuration
0x05	RW	Switch node identifier
0x06	RW	PLL settings
0x07	RW	System switch clock divider
0x08	RW	Reference clock
0x0C	RW	Directions 0-7
0x0D	RW	Directions 8-15
0x10	RW	DEBUG_N configuration
0x1F	RO	Debug source
0x20 .. 0x27	RW	Link status, direction, and network
0x40 .. 0x43	RW	PLink status and network
0x80 .. 0x87	RW	Link configuration and initialization
0xA0 .. 0xA7	RW	Static link configuration

**Figure 32:**  
Summary

### D.1 Device identification: 0x00

This register contains version and revision identifiers and the mode-pins as sampled at boot-time.

Bits	Perm	Init	Description
31:24	RO	0x00	Chip identifier.
23:16	RO		Sampled values of pins MODE0, MODE1, ... on reset.
15:8	RO		SSwitch revision.
7:0	RO		SSwitch version.

**0x00:**  
Device  
identification

### D.2 System switch description: 0x01

This register specifies the number of processors and links that are connected to this switch.



**0x01:**  
System  
switch  
description

Bits	Perm	Init	Description
31:24	RO	-	Reserved
23:16	RO		Number of links on the switch.
15:8	RO		Number of cores that are connected to this switch.
7:0	RO		Number of links per processor.

### D.3 Switch configuration: 0x04

This register enables the setting of two security modes (that disable updates to the PLL or any other registers) and the header-mode.

**0x04:**  
Switch  
configuration

Bits	Perm	Init	Description
31	RO	0	Set to 1 to disable any write access to the configuration registers in this switch.
30:9	RO	-	Reserved
8	RO	0	Set to 1 to disable updates to the PLL configuration register.
7:1	RO	-	Reserved
0	RO	0	Header mode. Set to 1 to enable 1-byte headers. This must be performed on all nodes in the system.

### D.4 Switch node identifier: 0x05

This register contains the node identifier.

**0x05:**  
Switch node  
identifier

Bits	Perm	Init	Description
31:16	RO	-	Reserved
15:0	RW	0	The unique 16-bit ID of this node. This ID is matched most-significant-bit first with incoming messages for routing purposes.

### D.5 PLL settings: 0x06

An on-chip PLL multiplies the input clock up to a higher frequency clock, used to clock the I/O, processor, and switch, see [Oscillator](#). Note: a write to this register will cause the tile to be reset.

**0x06:**  
PLL settings

Bits	Perm	Init	Description
31:26	RO	-	Reserved
25:23	RW		OD: Output divider value The initial value depends on pins MODE0 and MODE1.
22:21	RO	-	Reserved
20:8	RW		F: Feedback multiplication ratio The initial value depends on pins MODE0 and MODE1.
7	RO	-	Reserved
6:0	RW		R: Oscillator input divider value The initial value depends on pins MODE0 and MODE1.

### D.6 System switch clock divider: 0x07

Sets the ratio of the PLL clock and the switch clock.

**0x07:**  
System  
switch clock  
divider

Bits	Perm	Init	Description
31:16	RO	-	Reserved
15:0	RW	0	Switch clock divider. The PLL clock will be divided by this value plus one to derive the switch clock.

### D.7 Reference clock: 0x08

Sets the ratio of the PLL clock and the reference clock used by the node.

**0x08:**  
Reference  
clock

Bits	Perm	Init	Description
31:16	RO	-	Reserved
15:0	RW	3	Architecture reference clock divider. The PLL clock will be divided by this value plus one to derive the 100 MHz reference clock.

### D.8 Directions 0-7: 0x0C

This register contains eight directions, for packets with a mismatch in bits 7..0 of the node-identifier. The direction in which a packet will be routed is governed by the most significant mismatching bit.

**0x0C:**  
Directions  
0-7

Bits	Perm	Init	Description
31:28	RW	0	The direction for packets whose first mismatching bit is 7.
27:24	RW	0	The direction for packets whose first mismatching bit is 6.
23:20	RW	0	The direction for packets whose first mismatching bit is 5.
19:16	RW	0	The direction for packets whose first mismatching bit is 4.
15:12	RW	0	The direction for packets whose first mismatching bit is 3.
11:8	RW	0	The direction for packets whose first mismatching bit is 2.
7:4	RW	0	The direction for packets whose first mismatching bit is 1.
3:0	RW	0	The direction for packets whose first mismatching bit is 0.

### D.9 Directions 8-15: 0x0D

This register contains eight directions, for packets with a mismatch in bits 15..8 of the node-identifier. The direction in which a packet will be routed is governed by the most significant mismatching bit.

**0x0D:**  
Directions  
8-15

Bits	Perm	Init	Description
31:28	RW	0	The direction for packets whose first mismatching bit is 15.
27:24	RW	0	The direction for packets whose first mismatching bit is 14.
23:20	RW	0	The direction for packets whose first mismatching bit is 13.
19:16	RW	0	The direction for packets whose first mismatching bit is 12.
15:12	RW	0	The direction for packets whose first mismatching bit is 11.
11:8	RW	0	The direction for packets whose first mismatching bit is 10.
7:4	RW	0	The direction for packets whose first mismatching bit is 9.
3:0	RW	0	The direction for packets whose first mismatching bit is 8.

### D.10 DEBUG\_N configuration: 0x10

Configures the behavior of the DEBUG\_N pin.

**0x10:**  
DEBUG\_N  
configuration

Bits	Perm	Init	Description
31:2	RO	-	Reserved
1	RW	0	Set to 1 to enable signals on DEBUG_N to generate DCALL on the core.
0	RW	0	When set to 1, the DEBUG_N wire will be pulled down when the node enters debug mode.

### D.11 Debug source: 0x1F

Contains the source of the most recent debug event.

**0x1F:**  
Debug source

Bits	Perm	Init	Description
31:5	RO	-	Reserved
4	RW		If set, the external DEBUG_N pin is the source of the most recent debug interrupt.
3:1	RO	-	Reserved
0	RW		If set, the xCORE Tile is the source of the most recent debug interrupt.

### D.12 Link status, direction, and network: 0x20 .. 0x27

These registers contain status information for low level debugging (read-only), the network number that each link belongs to, and the direction that each link is part of. The registers control links C, D, A, B, G, H, E, and F in that order.

**0x20 .. 0x27:**  
Link status,  
direction, and  
network

Bits	Perm	Init	Description
31:26	RO	-	Reserved
25:24	RO		If this link is currently routing data into the switch, this field specifies the type of link that the data is routed to: 0: plink 1: external link 2: internal control link
23:16	RO	0	If the link is routing data into the switch, this field specifies the destination link number to which all tokens are sent.
15:12	RO	-	Reserved
11:8	RW	0	The direction that this this link is associated with; set for routing.
7:6	RO	-	Reserved
5:4	RW	0	Determines the network to which this link belongs, set for quality of service.
3	RO	-	Reserved
2	RO	0	Set to 1 if the current packet is junk and being thrown away. A packet is considered junk if, for example, it is not routable.
1	RO	0	Set to 1 if the switch is routing data into the link, and if a route exists from another link.
0	RO	0	Set to 1 if the link is routing data into the switch, and if a route is created to another link on the switch.

### D.13 PLink status and network: 0x40 .. 0x43

These registers contain status information and the network number that each processor-link belongs to.

Bits	Perm	Init	Description
31:26	RO	-	Reserved
25:24	RO		If this link is currently routing data into the switch, this field specifies the type of link that the data is routed to: 0: plink 1: external link 2: internal control link
23:16	RO	0	If the link is routing data into the switch, this field specifies the destination link number to which all tokens are sent.
15:6	RO	-	Reserved
5:4	RW	0	Determines the network to which this link belongs, set for quality of service.
3	RO	-	Reserved
2	RO	0	Set to 1 if the current packet is junk and being thrown away. A packet is considered junk if, for example, it is not routable.
1	RO	0	Set to 1 if the switch is routing data into the link, and if a route exists from another link.
0	RO	0	Set to 1 if the link is routing data into the switch, and if a route is created to another link on the switch.

**0x40 .. 0x43:**  
PLink status  
and network

### D.14 Link configuration and initialization: 0x80 .. 0x87

These registers contain configuration and debugging information specific to external links. The link speed and width can be set, the link can be initialized, and the link status can be monitored. The registers control links C, D, A, B, G, H, E, and F in that order.

**0x80 .. 0x87:**  
Link  
configuration  
and  
initialization

Bits	Perm	Init	Description
31	RW	0	Write '1' to this bit to enable the link, write '0' to disable it. This bit controls the muxing of ports with overlapping links.
30	RW	0	Set to 0 to operate in 2 wire mode or 1 to operate in 5 wire mode
29:28	RO	-	Reserved
27	RO	0	Set to 1 on error: an RX buffer overflow or illegal token encoding has been received. This bit clears on reading.
26	RO	0	1 if this end of the link has issued credit to allow the remote end to transmit.
25	RO	0	1 if this end of the link has credits to allow it to transmit.
24	WO	0	Set to 1 to initialize a half-duplex link. This clears this end of the link's credit and issues a HELLO token; the other side of the link will reply with credits. This bit is self-clearing.
23	WO	0	Set to 1 to reset the receiver. The next symbol that is detected will be assumed to be the first symbol in a token. This bit is self-clearing.
22	RO	-	Reserved
21:11	RW	0	The number of system clocks between two subsequent transitions within a token
10:0	RW	0	The number of system clocks between two subsequent transmit tokens.

### D.15 Static link configuration: 0xA0 .. 0xA7

These registers are used for static (ie, non-routed) links. When a link is made static, all traffic is forwarded to the designated channel end and no routing is attempted. The registers control links C, D, A, B, G, H, E, and F in that order.

**0xA0 .. 0xA7:**  
Static link  
configuration

Bits	Perm	Init	Description
31	RW	0	Enable static forwarding.
30:5	RO	-	Reserved
4:0	RW	0	The destination channel end on this node that packets received in static mode are forwarded to.

## E XMOS USB Interface

XMOS provides a low-level USB interface for connecting the device to a USB transceiver using the UTMI+ Low Pin Interface (ULPI). The ULPI signals must be connected to the pins named in Figure 33. Note also that some ports on the same tile are used internally and are not available for use when the USB driver is active (they are available otherwise).

Pin	Signal
XnD02	Unavailable when USB active
XnD03	
XnD04	
XnD05	
XnD06	
XnD07	
XnD08	
XnD09	

Pin	Signal
XnD12	ULPI_STP
XnD13	ULPI_NXT
XnD14	ULPI_DATA[0]
XnD15	ULPI_DATA[1]
XnD16	ULPI_DATA[2]
XnD17	ULPI_DATA[3]
XnD18	ULPI_DATA[4]
XnD19	ULPI_DATA[5]
XnD20	ULPI_DATA[6]
XnD21	ULPI_DATA[7]
XnD22	ULPI_DIR
XnD23	ULPI_CLK

Pin	Signal
XnD26	Unavailable when USB active
XnD27	
XnD28	
XnD29	
XnD30	
XnD31	
XnD32	
XnD33	

XnD37	Unavailable when USB active
XnD38	
XnD39	
XnD40	
XnD41	
XnD42	
XnD43	

**Figure 33:**  
ULPI signals provided by the XMOS USB driver

## F Device Errata

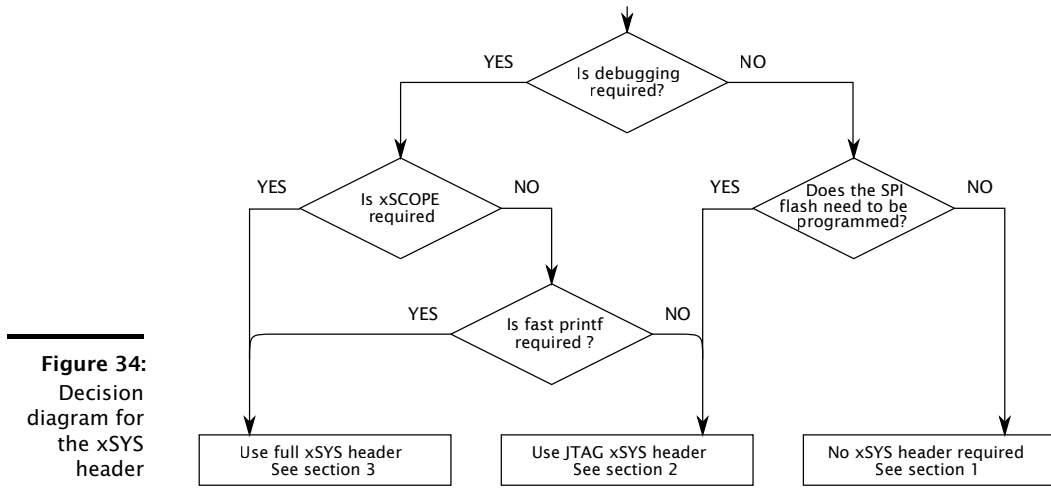
This section describes minor operational differences from the data sheet and recommended workarounds. As device and documentation issues become known, this section will be updated the document revised.

To guarantee a logic low is seen on the pins RST\_N, DEBUG\_N, MODE[4:0], TRST\_N, TMS, TCK and TDI, the driving circuit should present an impedance of less than 100Ω to ground. Usually this is not a problem for CMOS drivers driving single inputs. If one or more of these inputs are placed in parallel, however, additional logic buffers may be required to guarantee correct operation.

For static inputs tied high or low, the relevant input pin should be tied directly to GND or VDDIO.

## G JTAG, xSCOPE and Debugging

If you intend to design a board that can be used with the XMOS toolchain and xTAG debugger, you will need an xSYS header on your board. Figure 34 shows a decision diagram which explains what type of xSYS connectivity you need. The three subsections below explain the options in detail.



**Figure 34:**  
Decision diagram for the xSYS header

### G.1 No xSYS header

The use of an xSYS header is optional, and may not be required for volume production designs. However, the XMOS toolchain expects the xSYS header; if you do not have an xSYS header then you must provide your own method for writing to flash/OTP and for debugging.

### G.2 JTAG-only xSYS header

The xSYS header connects to an xTAG debugger, which has a 20-pin 0.1" female IDC header. The design will hence need a male IDC header. We advise to use a boxed header to guard against incorrect plug-ins. If you use a 90 degree angled header, make sure that pins 2, 4, 6, ..., 20 are along the edge of the PCB.

Connect pins 4, 8, 12, 16, 20 of the xSYS header to ground, and then connect:

- ▶ TDI to pin 5 of the xSYS header
- ▶ TMS to pin 7 of the xSYS header
- ▶ TCK to pin 9 of the xSYS header
- ▶ DEBUG\_N to pin 11 of the xSYS header



- ▶ TDO to pin 13 of the xSYS header
- ▶ RST\_N and TRST\_N to pin 15 of the xSYS header
- ▶ If MODE2 is configured high, connect MODE2 to pin 3 of the xSYS header. Do not connect to VDDIO.
- ▶ If MODE3 is configured high, connect MODE3 to pin 3 of the xSYS header. Do not connect to VDDIO.

The RST\_N net should be open-drain, active-low, and have a pull-up to VDDIO.

### G.3 Full xSYS header

For a full xSYS header you will need to connect the pins as discussed in Section G.2, and then connect a 2-wire xCONNECT Link to the xSYS header. The links can be found in the Signal description table (Section 4): they are labelled XLA, XLB, etc in the function column. The 2-wire link comprises two inputs and outputs, labelled  ${}^1_{out}$ ,  ${}^0_{out}$ ,  ${}^0_{in}$ , and  ${}^1_{in}$ . For example, if you choose to use XLB of tile 0 for xSCOPE I/O, you need to connect up  ${}^1_{out}$ ,  ${}^0_{out}$ ,  ${}^0_{in}$ ,  ${}^1_{in}$  as follows:

- ▶  ${}^1_{out}$  (X0D16) to pin 6 of the xSYS header with a 33R series resistor close to the device.
- ▶  ${}^0_{out}$  (X0D17) to pin 10 of the xSYS header with a 33R series resistor close to the device.
- ▶  ${}^0_{in}$  (X0D18) to pin 14 of the xSYS header.
- ▶  ${}^1_{in}$  (X0D19) to pin 18 of the xSYS header.

## H Schematics Design Check List

- ✓ This section is a checklist for use by schematics designers using the XS1-L8A-128-QF124. Each of the following sections contains items to check for each design.

### H.1 Power supplies

- VDDIO and OTP\_VCC supply is within specification before the VDD (core) supply is turned on. Specifically, the VDDIO and OTP\_VCC supply is within specification before VDD (core) reaches 0.4V (Section 10).
- The VDD (core) supply ramps monotonically (rises constantly) from 0V to its final value (0.95V - 1.05V) within 10ms (Section 10).
- The VDD (core) supply is capable of supplying 600mA (Section 10).
- PLL\_AVDD is filtered with a low pass filter, for example an RC filter, see Section 10
- The PCU\_VDD pin is connected to the VDD supply and PCU\_VDDIO is connected to the VDDIO supply (Section 10).

### H.2 Power supply decoupling

- The design has multiple decoupling capacitors per supply, for example at least four 0402 or 0603 size surface mount capacitors of 100nF in value, per supply (Section 10).
- A bulk decoupling capacitor of at least 10uF is placed on each supply (Section 10).

### H.3 Power on reset

- The RST\_N and TRST\_N pins are asserted (low) during or after power up. The device is not used until these resets have taken place. As the errata in the datasheets show, the internal pull-ups on these two pins can occasionally provide stronger than normal pull-up currents. For this reason, an RC type reset circuit is discouraged as behavior would be unpredictable. A voltage supervisor type reset device is recommended to guarantee a good reset. This also has the benefit of resetting the system should the relevant supply go out of specification.

#### H.4 Clock

- The CLK input pin is supplied with a clock with monotonic rising edges and low jitter.
- The PCU\_CLK pin is supplied with a clock, for example it is tied to the main CLK (Section 9.1).
- The PCU\_WAKE and PCU\_GATE pins should be left unconnected (Section 9.1).
- Pins MODE0 and MODE1 are set to the correct value for the chosen oscillator frequency. The MODE settings are shown in the Oscillator section, Section 6. If you have a choice between two values, choose the value with the highest multiplier ratio since that will boot faster.

#### H.5 USB ULPI Mode

This section can be skipped if you do not have an external USB PHY.

- If using ULPI, the ULPI signals are connected to specific ports as shown in Section E.
- If using ULPI, the ports that are used internally are not connected, see Section E. (Note that this limitation only applies when the ULPI is enabled, they can still be used before or after the ULPI is being used.)

#### H.6 Boot

- The device is connected to a SPI flash for booting, connected to X0D0, X0D01, X0D10, and X0D11 (Section 7). If not, you must boot the device through OTP or JTAG.
- The device that is connected to flash has both MODE2 and MODE3 connected to pin 3 on the xSYS Header (MSEL). If no debug adapter connection is supported (not recommended) MODE2 and MODE3 are to be left NC (Section 7). MODE4 is set in accordance with Section 7.
- The SPI flash that you have chosen is supported by **xflash**, or you have created a specification file for it.

#### H.7 JTAG, XScope, and debugging

- You have decided as to whether you need an xSYS header or not (Section C)

- If you included an XSYS header, you connected pin 3 to any MODE2/MODE3 pin that would otherwise be NC (Section G).
- If you have not included an XSYS header, you have devised a method to program the SPI-flash or OTP (Section G).

## H.8 GPIO

- You have not mapped both inputs and outputs to the same multi-bit port.

## H.9 Multi device designs

Skip this section if your design only includes a single XMOS device.

- One device is connected to a SPI flash for booting.
- Devices that boot from link have MODE2 grounded and MODE3 NC. These device must have link XLB connected to a device to boot from (see 7).
- If you included an XSYS header, you have included buffers for RST\_N, TRST\_N, TMS, TCK, MODE2, and MODE3 (Section F).

## I PCB Layout Design Check List

- This section is a checklist for use by PCB designers using the XS1-L8A-128-QF124. Each of the following sections contains items to check for each design.

### I.1 Land pattern and solder stencil

- You have used a land pattern suitable for the small QFN pads. (Section 10.1)
- You have used a solder stencil with the correct aperture and thickness. (Section 10.1)

### I.2 Ground Plane

- Multiple vias (eg, 9) have been used to connect the center pad to the PCB ground plane. These minimize impedance and conduct heat away from the device. (Section 10.3).
- Other than ground vias, there are no (or only a few) vias underneath or closely around the device. This create a good, solid, ground plane.

### I.3 Power supply decoupling

- The decoupling capacitors are all placed close to a supply pin (Section 10).
- The decoupling capacitors are spaced around the device (Section 10).
- The ground side of each decoupling capacitor has a direct path back to the center ground of the device.

### I.4 PLL\_AVDD

- The PLL\_AVDD filter (especially the capacitor) is placed close to the PLL\_AVDD pin (Section 10).

## J Associated Design Documentation

Document Title	Information	Document Number
Estimating Power Consumption For XS1-L Devices	Power consumption	<a href="#">X4271</a>
Programming XC on XMOS Devices	Timers, ports, clocks, cores and channels	<a href="#">X9577</a>
xTIMEcomposer User Guide	Compilers, assembler and linker/mapper Timing analyzer, xScope, debugger Flash and OTP programming utilities	<a href="#">X3766</a>

## K Related Documentation

Document Title	Information	Document Number
The XMOS XS1 Architecture	ISA manual	<a href="#">X7879</a>
XS1 Port I/O Timing	Port timings	<a href="#">X5821</a>
xCONNECT Architecture	Link, switch and system information	<a href="#">X4249</a>
XS1-L Link Performance and Design Guidelines	Link timings	<a href="#">X2999</a>
XS1-L Clock Frequency Control	Advanced clock control	<a href="#">X1433</a>
XS1-L Active Power Conservation	Low-power mode during idle	<a href="#">X7411</a>

## L Revision History

Date	Description
2013-01-30	New datasheet - revised part numbering
2013-02-26	New multicore microcontroller introduction Moved configuration sections to appendices
2013-07-19	Updated Features list with available ports and links - Section 2 Simplified link bits in Signal Description - Section 4 New JTAG, xSCOPE and Debugging appendix - Section G New Schematics Design Check List - Section H New PCB Layout Design Check List - Section I
2013-09-16	Removed references to PCU. Pins set to GND - Section 3
2013-12-09	Added Industrial Ambient Temperature - Section 11.1
2013-12-17	Added references to PCU - Section 3 and 9.1
2014-03-25	Updated BOTTOM VIEW in mechanical drawing - Section 12
2014-06-25	Added PCU_GATE, PCU_CLK, PCU_VDD, PCU_VDDIO to Schematics Checklist - Section H
2015-04-14	Updated Introduction - Section 1; Pin Configuration - Section 3; Signal Description - Section 4



Copyright © 2015, All Rights Reserved.

Xmos Ltd. is the owner or licensee of this design, code, or Information (collectively, the "Information") and is providing it to you "AS IS" with no warranty of any kind, express or implied and shall have no liability in relation to its use. Xmos Ltd. makes no representation that the Information, or any particular implementation thereof, is or will be free from any claims of infringement and again, shall have no liability in relation to any such claims.