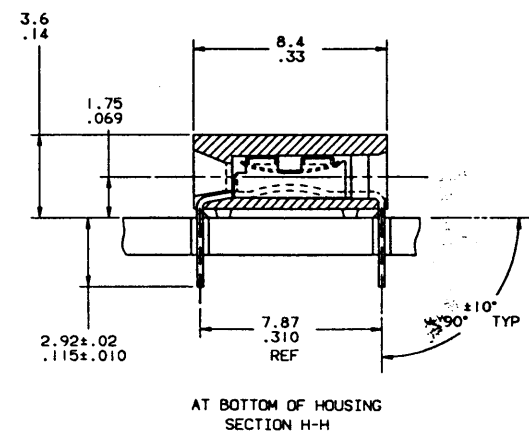
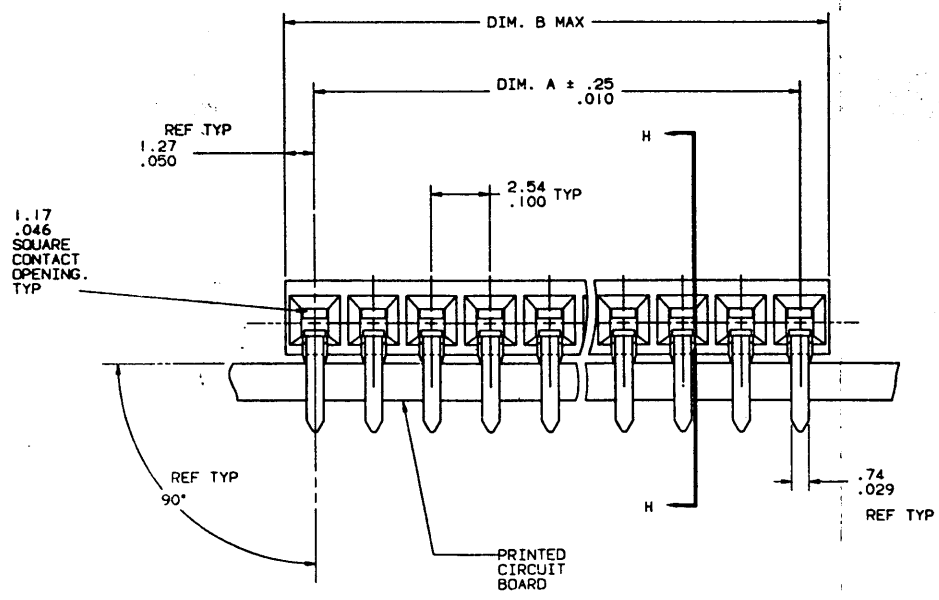
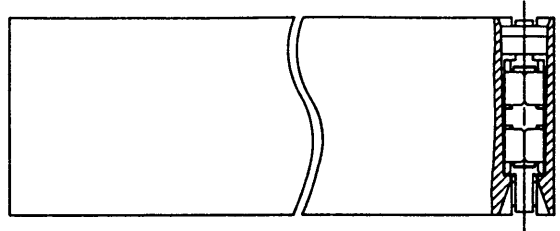


8 | 7 | 6 | 5 | 4 | 3 | 2 | 1

PRODUCT NO
SEE TABLE

REVISIONS			
REV	DESCRIPTION	BY	DATE
C	REDRAWN-REV. NOTES	EJH	8/28/89
D	ADD STAND-OFFS. & REDRAW FROM IGES FILES	JGS	11/10/89



CONTROLLED DOCUMENT

SHEET INDEX		ISSUE	D	D	D											CUSTOMER COPY	DuPont Electronics		DU PONT	
		SH NO	1	2	3											CODE IDENT	22526			
MODEL		XXXX				DO NOT SCALE DRAWING		TOLERANCE UNLESS OTHERWISE NOTED				MAIL		DR J. SHREINER		DATE 11/29/89		TITLE		
						THIRD ANGLE PROJECTION		LINEAR 0.0±0.25/.00±.01 0.00±0.13/.000±.005 0.000±0.051/.0000±.0020				SEE NOTES		CHK XXXX		XXX		1X .100 CARD CONNECTOR		
TABULATION SHEETS REQUIRED		YES NO				MM INCH		ANGLES ±2° 0'				FINISH		ENGR M. HANIN		11/29/89		SCALE SIZE DWG NO CAD		
												APPRO M. HANIN		11/29/89		10/1 D 67230 SHEET 1 OF 3				

NOTE: This print is the property of and contains proprietary designs of THE DUPONT COMPANY. No part of the design shown on this print may be used in any way without the written consent of DUPONT CORPORATION, New Castle, DE.

PRODUCT NO
SEE TABLE

REVISIONS			
REV	DESCRIPTION	BY	DATE
D			

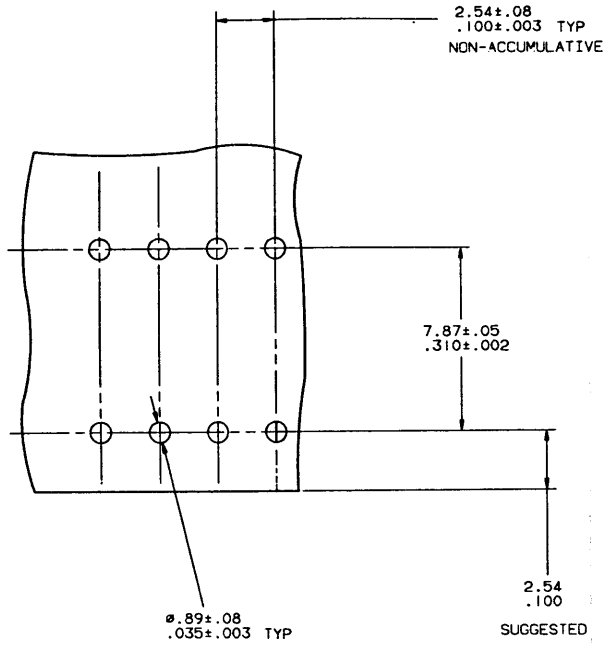


FIGURE 1
SCALE 10/1

NOTES

1. HOUSING MATERIAL.
30% GLASS-FILLED THERMOPLASTIC POLYESTER PER UL 94V-0. COLOR BLACK.
2. TERMINAL MATERIAL.
BODY. 1/2 HARD BRASS. ALLOY C26000 .25/.010 THICK.
SPRING. BE-CU. ALLOY C17200 HEAT TREATED.
BODY PLATING.
0.762 MICRON /30 MICROINCH GOLD OVER 1.27 MICRON/50 MICROINCH NICKEL IN CONTACT AREA.
0.25 MICRON/10 MICROINCH POSTPLATED GOLD FLASH OVER 1.27 MICRON/50 MICROINCH. NICKEL ON REMAINDER.
SPRING PLATING. GOLD FLASH
3. APPLICATION INFORMATION.
A. RECOMMENDED MOUNTING HOLE PATTERN IS SHOWN IN FIGURE #1.
B. ALL MATING PINS TO BE .64/.025 SQUARE! ON TRUE CENTER OF GIVEN TERMINAL SPACINGS WITHIN .38/.015 DIA.
C. SUGGESTED MATING PIN LENGTH 8.89 ± .51/.350 ± .020.

**CONTROLLED
DOCUMENT**

SHEET INDEX		ISSUE		SH NO		1		CUSTOMER COPY		CODE IDENT		22526		DuPont Electronics		DU PONT	
MODEL		XXXX		DO NOT SCALE DRAWING		TOLERANCE UNLESS OTHERWISE NOTED		MM/INCH		MATERIAL		DR		DATE		TITLE	
TABULATION SHEETS REQUIRED		YES		NO		THIRD ANGLE PROJECTION		LINEAR		FINISH		ENGR		SCALE		SIZE	
						0.0 ± 0.25 / .00 ± .01		0.00 ± 0.13 / .000 ± .005		XXXXXX		M. HAHN		11/10/89		1X .100	
						0.000 ± 0.051 / .0000 ± .0020		ANGLES ± 2° 0'		XXXXXX		M. HAHN		11/10/89		CARD CONNECTOR	
										APPD		M. HAHN		11/10/89		D 67230 SHEET 2	


NOTE: This print is the property of and subject to proprietary design of THE DUPONT COMPANY. No part of the design shown on this print may be used in any way without the written consent of DUPONT ELECTRONICS, Inc. Cumberland, PA.

PRODUCT NO.	NO. OF POS.	DIM. A ±.51/.020	DIM. B MAX.
67230-001	1X1	.00/.000	2.54/.100
-002	1X2	2.54/.100	5.08/.200
-003	1X3	5.08/.200	7.62/.300
-004	1X4	7.62/.300	10.16/.400
-005	1X5	10.16/.400	12.70/.500
-006	1X6	12.70/.500	15.24/.600
-007	1X7	15.24/.600	17.78/.700
-008	1X8	17.78/.700	20.32/.800
-009	1X9	20.32/.800	22.86/.900
-010	1X10	22.86/.900	25.40/1.000
-011	1X11	25.40/1.000	27.94/1.100
-012	1X12	27.94/1.100	30.48/1.200
-013	1X13	30.48/1.200	33.02/1.300
-014	1X14	33.02/1.300	35.56/1.400
-015	1X15	35.56/1.400	38.10/1.500
-016	1X16	38.10/1.500	40.64/1.600
-017	1X17	40.64/1.600	43.18/1.700
-018	1X18	43.18/1.700	45.72/1.800
-019	1X19	45.72/1.800	48.26/1.900
-020	1X20	48.26/1.900	50.80/2.000
-021	1X21	50.80/2.000	53.34/2.100
-022	1X22	53.34/2.100	55.88/2.200
-023	1X23	55.88/2.200	58.42/2.300
-024	1X24	58.42/2.300	60.96/2.400
-025	1X25	60.96/2.400	63.50/2.500
-026	1X26	63.50/2.500	66.04/2.600
-027	1X27	66.04/2.600	68.58/2.700
-028	1X28	68.58/2.700	71.12/2.800
-029	1X29	71.12/2.800	73.66/2.900
-030	1X30	73.66/2.900	76.20/3.000
-031	1X31	76.20/3.000	78.74/3.100
-032	1X32	78.74/3.100	81.28/3.200
-033	1X33	81.28/3.200	83.82/3.300
-034	1X34	83.82/3.300	86.36/3.400
-035	1X35	86.36/3.400	88.90/3.500
-036	1X36	88.90/3.500	91.44/3.600
-037	1X37	91.44/3.600	93.98/3.700
-038	1X38	93.98/3.700	96.52/3.800
-039	1X39	96.52/3.800	99.06/3.900
-040	1X40	99.06/3.900	101.60/4.000
67230-041	1X41	101.60/4.000	104.14/4.100

PRODUCT NO.	NO. OF POS.	DIM. A ±.51/.020	DIM. B MAX.
67230-051	1X51	127.00/5.000	129.54/5.100
-052	1X52	129.54/5.100	132.08/5.200
-053	1X53	132.08/5.200	134.62/5.300
-054	1X54	134.62/5.300	137.16/5.400
-055	1X55	137.16/5.400	139.70/5.500
-056	1X56	139.70/5.500	142.24/5.600
-057	1X57	142.24/5.600	144.78/5.700
-058	1X58	144.78/5.700	147.32/5.800
-059	1X59	147.32/5.800	149.86/5.900
-060	1X60	149.86/5.900	152.40/6.000
-061	1X61	152.40/6.000	154.94/6.100
-062	1X62	154.94/6.100	157.48/6.200
-063	1X63	157.48/6.200	160.02/6.300
-064	1X64	160.02/6.300	162.56/6.400
67230-065	1X65	162.56/6.400	165.10/6.500

REVISIONS			
REV	DESCRIPTION	BY	DATE
D			

CONTROLLED DOCUMENT

SHEET INDEX		ISSUE											CUSTOMER COPY	DuPont Electronics		
SH	NO												CODE IDENT	TITLE		
		MODEL											DATE	1X.100		
		XXXX											11/13/89	CARD CONNECTOR		
		DO NOT SCALE DRAWING											DR	SCALE		
													J. SHREINER	SIZE		
		THIRD ANGLE PROJECTION											CHK	DWS NO		
													XXXX	67230		
		TOLERANCE UNLESS OTHERWISE NOTED											ENGR	SHEET		
		MM/INCH											M. HAHN	3		
		0.01±0.25/.001±.01											APPD			
		0.00±0.13/.000±.005											M. HAHN			
		0.000±0.051/.0000±.0020														
		FINISH														
		ANGLES 12° 0'														
TABULATION SHEETS REQUIRED		YES														
		NO														

NOTE: This print is the property of and embodies proprietary designs of THE DUPONT COMPANY. No part of the design shown on this print may be used in any way without the written consent of DUPONT ELECTRONICS, Inc. New Castle, PA.