



## Specifications

Electrical Ratings	50mA @ 50VDC	Dielectric Strength	250Vrms min
Electrical Life	100,000 cycles typical	Insulation Resistance	>100MΩ min
Contact Resistance	<50mΩ initial	Operating Temperature	-40°C to 85°C
Actuation Force	100, 160, 260 ± 50gF	Storage Temperature	-40°C to 85°C
Actuation Travel	.25 ± .1mm		

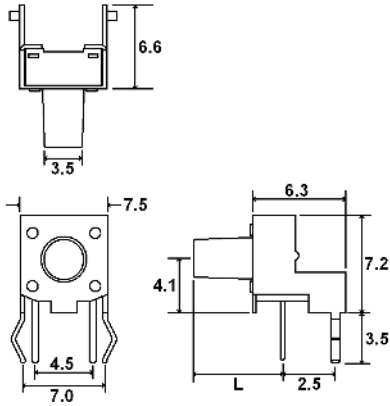
## Materials

Actuator	6/6 Nylon
Housing	6/6 Nylon
Cover	Steel, Tin Plated
Contacts	Phosphor Bronze, Silver Plated
Terminals	Brass, Silver Plated

## Ordering Information

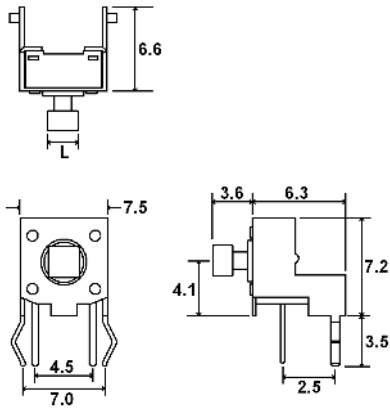
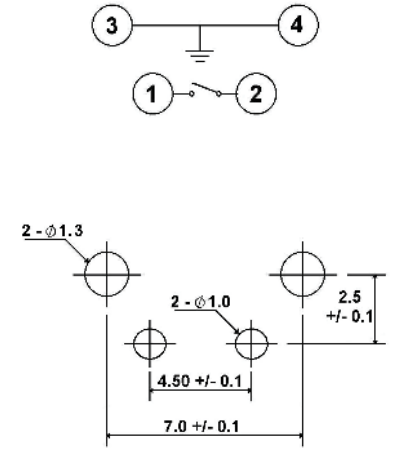
1. Series	CT1102V	10.35	F160
CT1102V			
2. Actuation Length "L"			
3.15 = 3.15mm			
3.85 = 3.85mm			
5.85 = 5.85mm			
6.35 = 6.35mm			
6.85 = 6.85mm			
8.35 = 8.35mm			
9.85 = 9.85mm			
10.35 = 10.35mm			
10.85 = 10.85mm			
11.85 = 11.85mm			
13.35 = 13.35mm			
13.85 = 13.85mm			
15.85 = 15.85mm			
S2.4 = 2.4mm square head			
S2.8 = 2.8mm square head			
3. Actuator Force			
F100 = 100gF			
F160 = 160gF			
F260 = 260gF			
4. Cap Options	Cap Colors		
Blank = No Cap			
C01			
C02	** See Cap Options for color availability		
C03	** Caps available for S2.8 actuator only		
C04			
C05			

### Dimensions

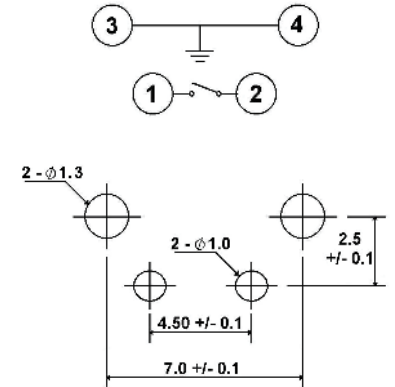


Part Number	"L" mm
CT1102V3.15	3.15
CT1102V3.85	3.85
CT1102V5.85	5.85
CT1102V6.35	6.35
CT1102V6.85	6.85
CT1102V8.35	8.35
CT1102V9.85	9.85
CT1102V10.35	10.35
CT1102V11.85	11.85
CT1102V13.35	13.35
CT1102V13.85	13.85
CT1102V15.85	15.85

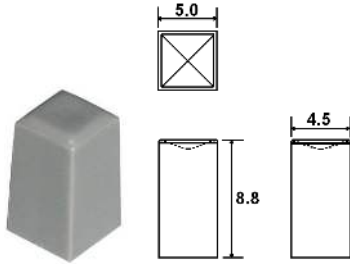
### Schematic & PC Layout



Part Number	"L" mm
CT1102VS2.4	2.4
CT1102VS2.8	2.8

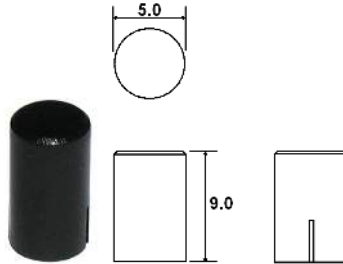


**Cap Options for S2.8 Actuator**



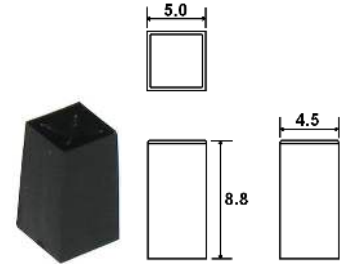
**C01\_**

1 = White, 2 = Black, 3 = Red, 9 = Light Gray  
Contact Factory for other available colors



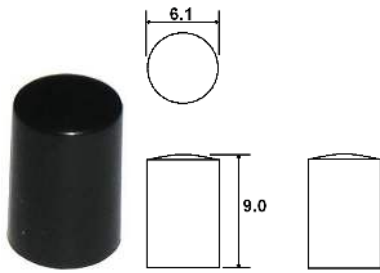
**C02\_**

1 = White, 2 = Black, 3 = Red, 9 = Light Gray  
Contact Factory for other available colors



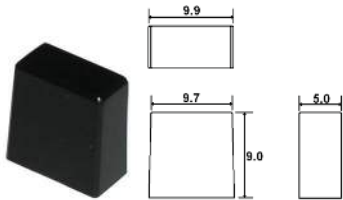
**C03\_**

1 = White, 2 = Black, 3 = Red, 9 = Light Gray  
Contact Factory for other available colors



**C04\_**

1 = White, 2 = Black, 3 = Red, 9 = Light Gray  
Contact Factory for other available colors



**C05\_**

1 = White, 2 = Black, 3 = Red, 9 = Light Gray  
Contact Factory for other available colors