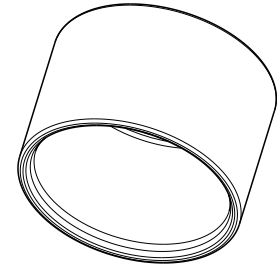
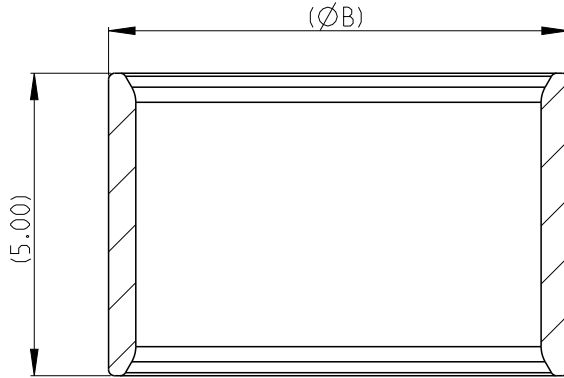
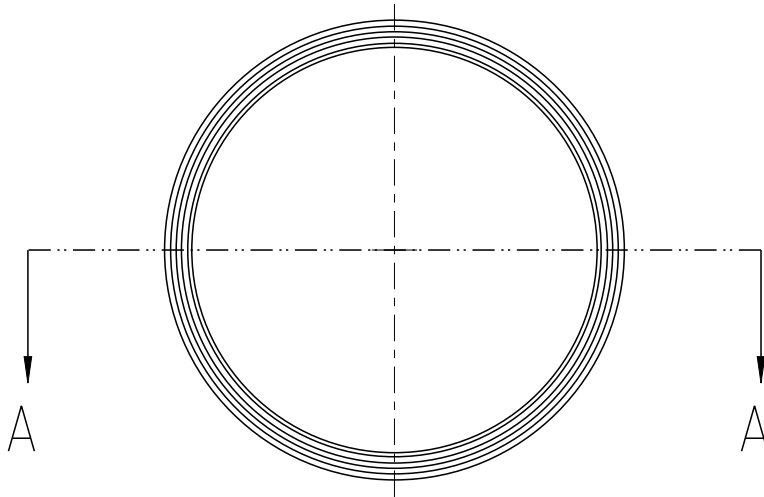


| REVISIONS | | | | | |
|-----------|-----|-----------------|-----------|-----|------|
| P | LTR | DESCRIPTION | DATE | DWN | APVD |
| | A | INITIAL RELEASE | 26MAY2021 | Z.C | I.Y |
| | A1 | ECR-23-173163 | 23APR2023 | T.H | Z.Z |
| | | | | | |



SCALE 4:1

SECTION A-A



- 1 MATERIAL: COPPER ALLOY
- 2 FINISH: BARE

3. PARTS MUST FREE OF BURRS, CRACKS, OR OTHER VISUAL IMPERFECTIONS THAT MAY AFFECT FIT FORM OR FUNCTION



| | | | | |
|-----------|------|--------|--------------------|-----------|
| 5.00 | 5.40 | 7.60 | SIZE D, FOR 6SQM | 2371242-4 |
| 6.00 | 6.50 | 7.45 | SIZE C, FOR 6SQM | 2371242-3 |
| 5.30 | 5.80 | 7.60 | SIZE B, FOR 4SQM | 2371242-2 |
| 4.20 | 4.70 | 7.60 | SIZE A, FOR 2.5SQM | 2371242-1 |
| MIN. | MAX. | DIM. B | DESCRIPTION | PART NO |
| WIRE O.D. | | | | |

© 2021 TE Connectivity. All Rights Reserved.

| | | | | | |
|--|--|--------------------------------|--------------------------------------|--------------------|-------------------------|
| DIMENSIONS: mm | | DWN Z.CHEN 29APR2021 | MATERIAL | FINISH | |
| TOLERANCES UNLESS OTHERWISE SPECIFIED: | | CHK J.LI 29APR2021 | 1 2 | | |
| 0 PLC ± | | APVD I.YIN 26MAY2021 | | | |
| 1 PLC ±0.2 | | PRODUCT SPEC 108-160170 | | | |
| 2 PLC ±0.10 | | APPLICATION SPEC 114-160093 | NAME INNER FERRULE HD400 2P 3P | | |
| 3 PLC ±0.013 | | WEIGHT - | SIZE A 4 | CAGE CODE 00779 | DRAWING NO C=2371242 |
| 4 PLC ±0.0001 | | | RESTRICTED TO - | | SCALE 8:1 |
| ANGLES ± | | | CUSTOMER DRAWING | | SHEET 1 OF 1 |