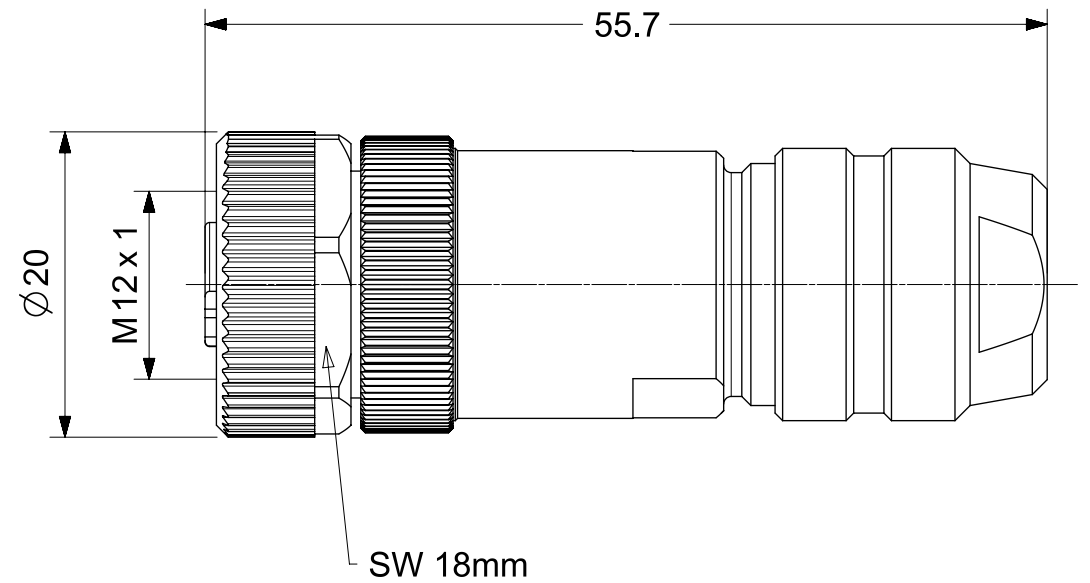
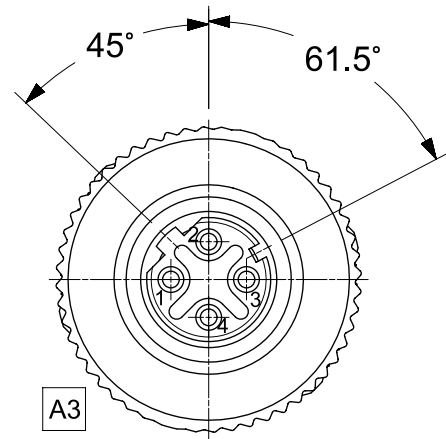
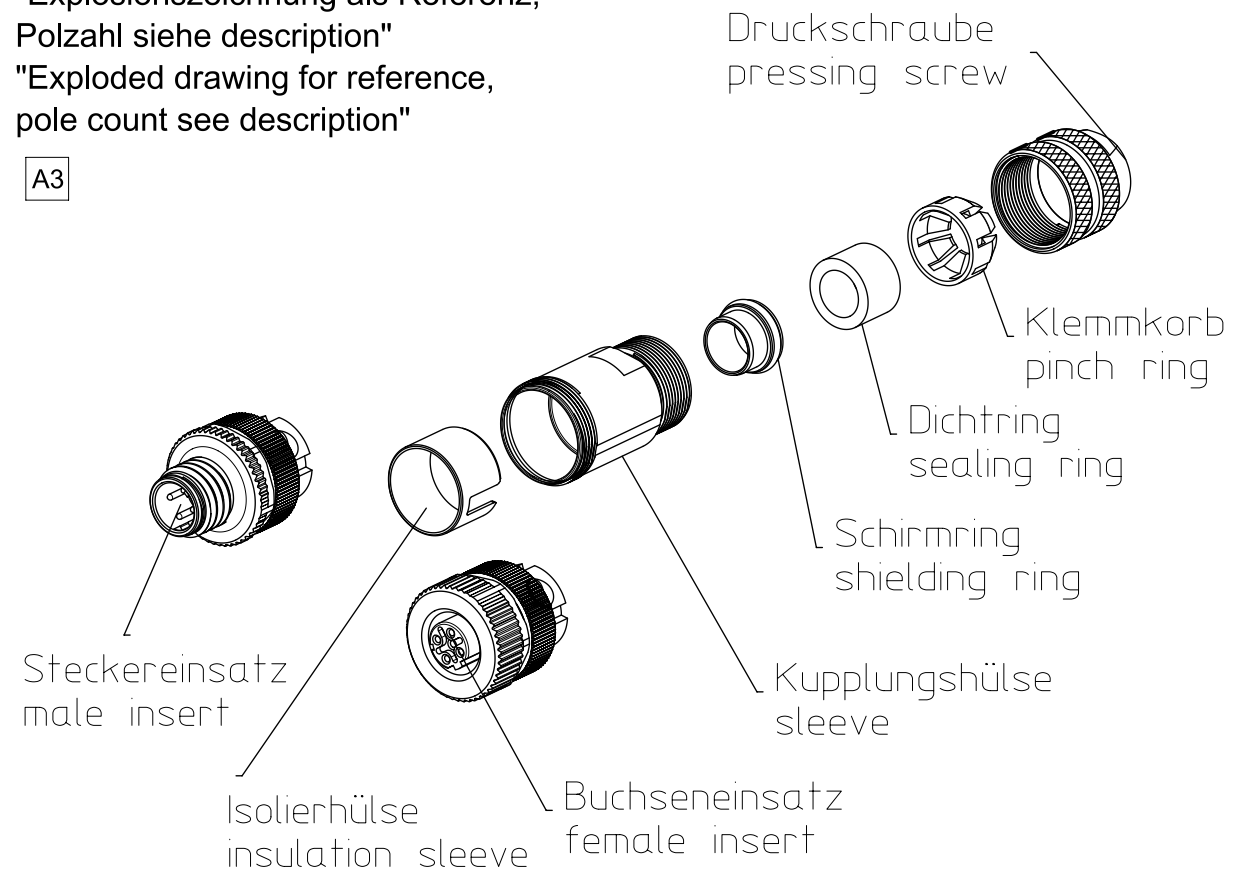


"Explosionszeichnung als Referenz,  
Polzahl siehe description"  
"Exploded drawing for reference,  
pole count see description"

A3



CHANGES SEE  
REVISION MARKING A3

NOTES/ CHANGE IN  
PIN NUMBER

NOTES:

1. LOCKING SYSTEM: SCREW  
WIRE GAUGE: 0.75mm<sup>2</sup>  
CABLE OUTLET: 6 - 8mm
2. ELECTRICAL DATA:  
CURRENT RATING: 4A  
VOLTAGE RATING: 250V  
MATING CYCLES: > 100
3. MECHANICAL:  
OPERATING TEMP.: -40°C to +85°C  
PROTECTION CLASS: IP67
4. MATERIAL:  
CONTACT: CuZn (BRASS)  
CONTACT PLATING: Au (GOLD)  
CONTACT BODY: PA  
HOUSING: zinc die cast  
COUPLING NUT: CuZn (BRASS)

PRE-RELEASE  
REFERENCE  
USE ONLY

ENG.-NO: E1AS00-32

THIS DRAWING CONTAINS INFORMATION THAT IS PROPRIETARY TO MOLEX ELECTRONIC TECHNOLOGIES, LLC AND SHOULD NOT BE USED WITHOUT WRITTEN PERMISSION											
QUALITY SYMBOLS	2016/08/10	GENERAL TOLERANCES (UNLESS SPECIFIED)		DIMENSION UNITS	SCALE						
		ANGULAR TOL ± 1.0 °		MM	2:1						
FA = 0	EC NO: 107393 DRWN: LRAMAMURTHY CHK'D: APPR:	4 PLACES ±	MSCHWARZ	DATE							
FE = 0		3 PLACES ±		2015/07/06							
FB = 0		2 PLACES ± 0.05	DATE		PRODUCT CUSTOMER DRAWING						
FC = 0		1 PLACE ± 0.3	DATE								
FD = 0		0 PLACES ± 0.5	DATE		DRAWING SIZE		THIRD ANGLE PROJECTION		SERIES	MATERIAL NUMBER	CUSTOMER
FE = 0	A3	DRAFT WHERE APPLICABLE MUST REMAIN WITHIN DIMENSIONS		A3			130047	1300470037	GENERAL MARKET		
FF = 0								DOCUMENT NUMBER	DOC TYPE	DOC PART	SHEET NUMBER
								1300470037	PSD	000	1 OF 1