

MATERIAL

Glass-fibre reinforced polyamide based (PA) technopolymer, black colour, matte finish.

STANDARD EXECUTION

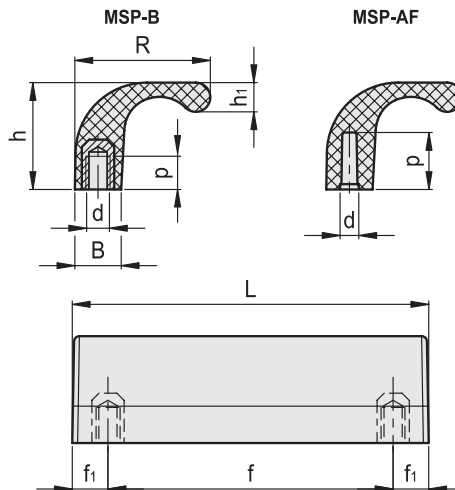
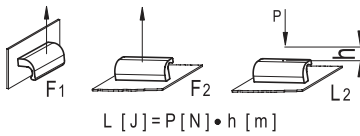
- **MSP-B**: brass boss, threaded blind hole. Fitting by means of no. 2 M6 screws, not included in the supply.
- **MSP-AF**: blind holes for fitting by means of no. 2 self-tapping screws for plastic materials Ø5 (UNI ISO 7049), not included in the supply.

TECHNICAL DATA

Tensile stress and impact strength: F1, F2 and L2 values reported in the table are the result of breaking tests, carried out with the appropriate dynamometric equipment, under the test conditions shown in the figure with ambient temperature.



ELESA Original design



| Conversion Table | |
|-------------------|------|
| 1 mm = 0.039 inch | |
| L | |
| mm | inch |
| 100 | 3.94 |

| Code | Description | L | f±0.5 | d | f1 | h | h1 | B | R | p | F1 [N] | F2 [N] | L2 [J] | ⚖️ |
|-------|----------------|-----|-------|-----|----|----|-----|----|----|----|--------|--------|--------|----|
| 43961 | MSP.100-B M6 | 100 | 80 | M6 | 10 | 30 | 8.7 | 13 | 38 | 12 | 3000 | 1900 | 10 | 54 |
| 43965 | MSP.100-AF 4.8 | 100 | 80 | 4.5 | 10 | 30 | 8.7 | 13 | 38 | 14 | 700 | 900 | 7 | 47 |

- 1
- 2
- 3
- 4
- 5
- 6
- 7
- 8
- 9
- 10
- 11
- 12
- 13
- 14
- 15
- 16
- 17
- 18