



Electrical specifications

Passbands: 1710-1785 MHz
Center frequency: 1747.5 MHz
Insertion loss @CF: 0.5 dB max
Return loss: 15 dB min
Attenuation: 70 dBc@ Fc +/- 70 MHz
Power Handling: 50 Watts

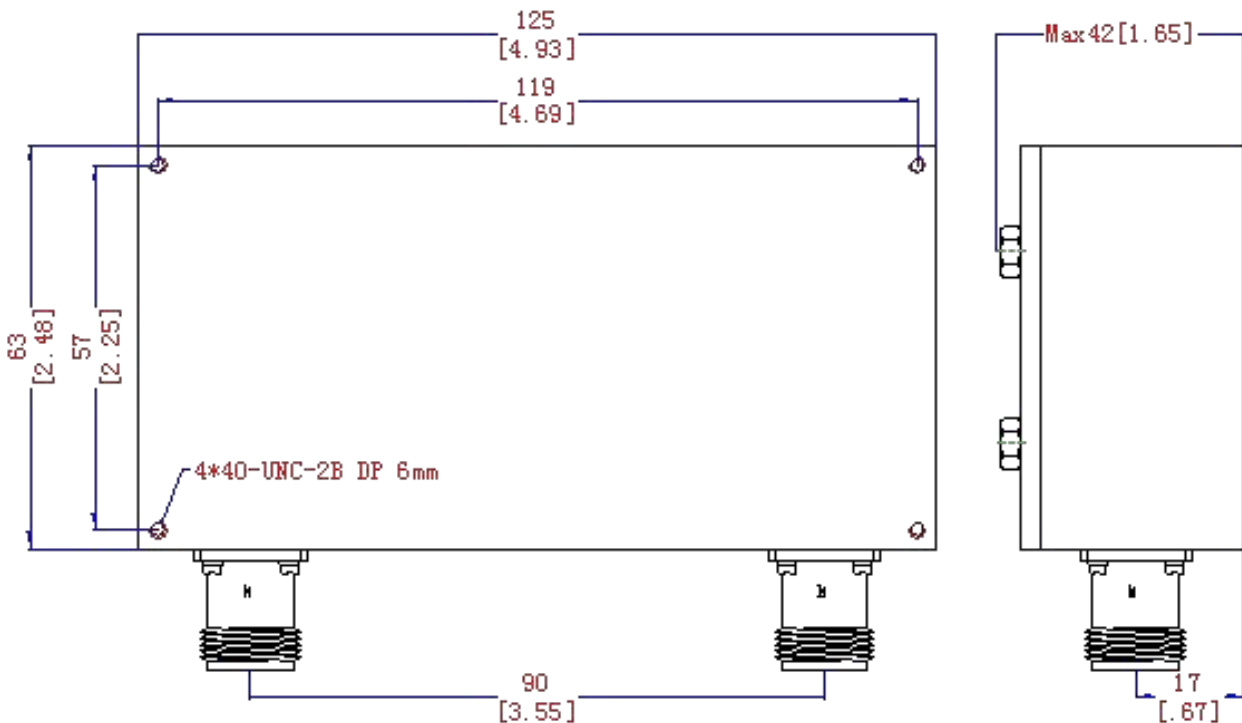
Mechanical

Mounting Method: Threaded Mounting Holes
Connector Type: SMA Female
Dimensions: 4.93 x 2.48 x 1.65 in

Environmental

Operating Temperature: -45 to +85° C
Storage Temperature: -55 to +95° C
Shock: 20 G. 11ms
Vibration: 20 G. 5 to 200 MHz

Outline Drawing:





1747 MHz Cavity Bandpass Filter

Part Number: AB1747B850



Plot:

