

# MCU Cards

for **dsPIC PRO4™** development system

Manual

*All Mikroelektronika's development systems feature a large number of peripheral modules expanding microcontroller's range of application and making the process of program testing easier. In addition to these modules, it is also possible to use numerous additional modules linked to the development system through the I/O port connectors. Some of these additional modules can operate as stand-alone devices without being connected to the microcontroller.*

**Additional Board**

 **MikroElektronika**

SOFTWARE AND HARDWARE SOLUTIONS FOR EMBEDDED WORLD ...making it simple

## MCU Cards for dsPIC PRO4 Development System

The dsPIC PRO4 development system is supported by empty 64- and 80-pin MCU cards. Schematics provided herein show these MCU cards with soldered microcontrollers. Instead of microcontrollers used in these examples, you can choose and solder another ones. Prior to soldering, check which microcontrollers can be placed on the respective MCU card just to be sure that they are compatible.

Supported microcontrollers:

64-pin MCU cards support dsPIC30F6011-PF and dsPIC30F6012-PF microcontrollers.

80-pin MCU cards support the following microcontrollers in PT package: dsPIC30F5013-PT, dsPIC30F6010A-PT, dsPIC30F6013A-PT and dsPIC30F6014A-PT.

80-pin MCU cards support the following microcontrollers in PF package: dsPIC30F6013-PF, dsPIC30F6014-PF, dsPIC30F6010A-PF, dsPIC30F6013A-PF and dsPIC30F6014A-PF.

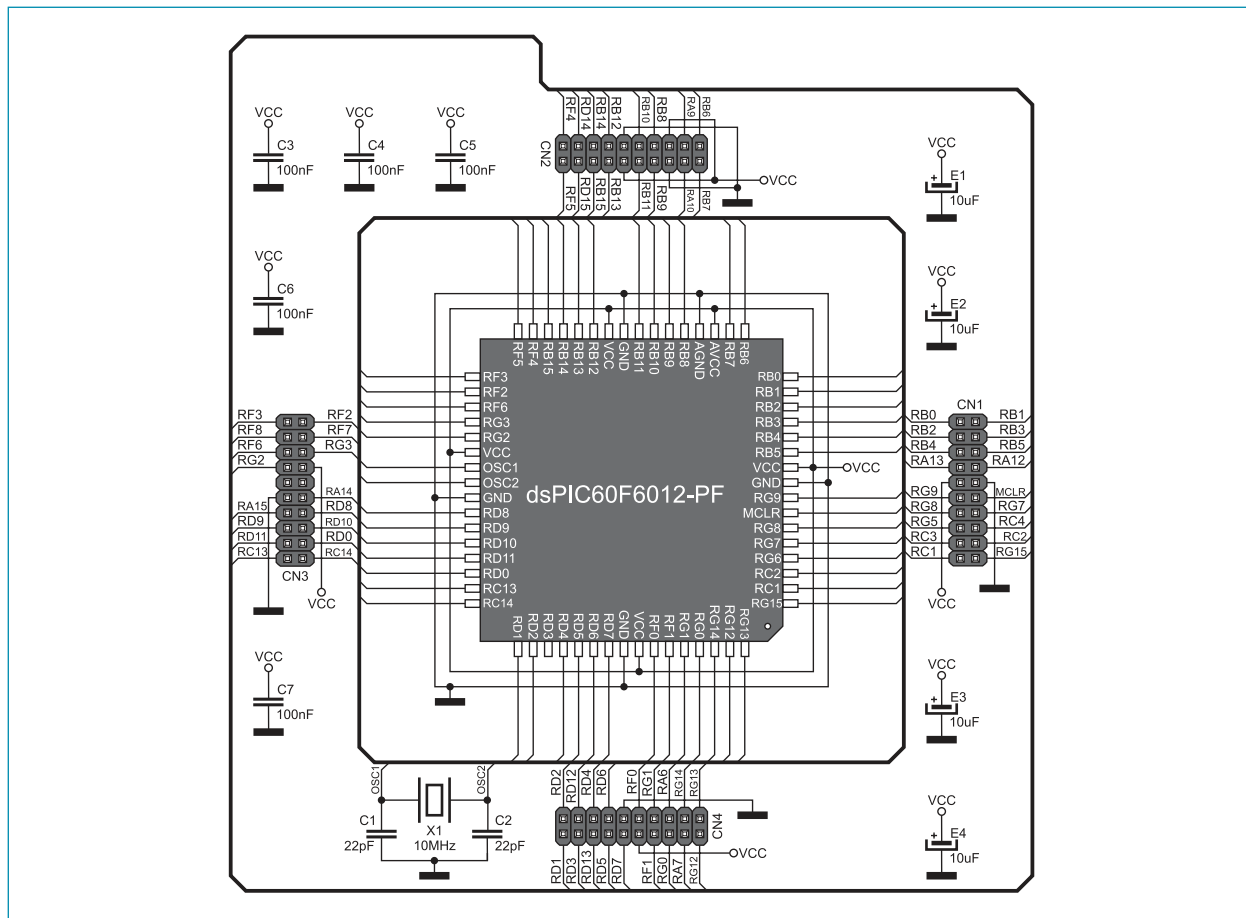


Figure 1: 64-pin MCU card and microcontroller connection schematic

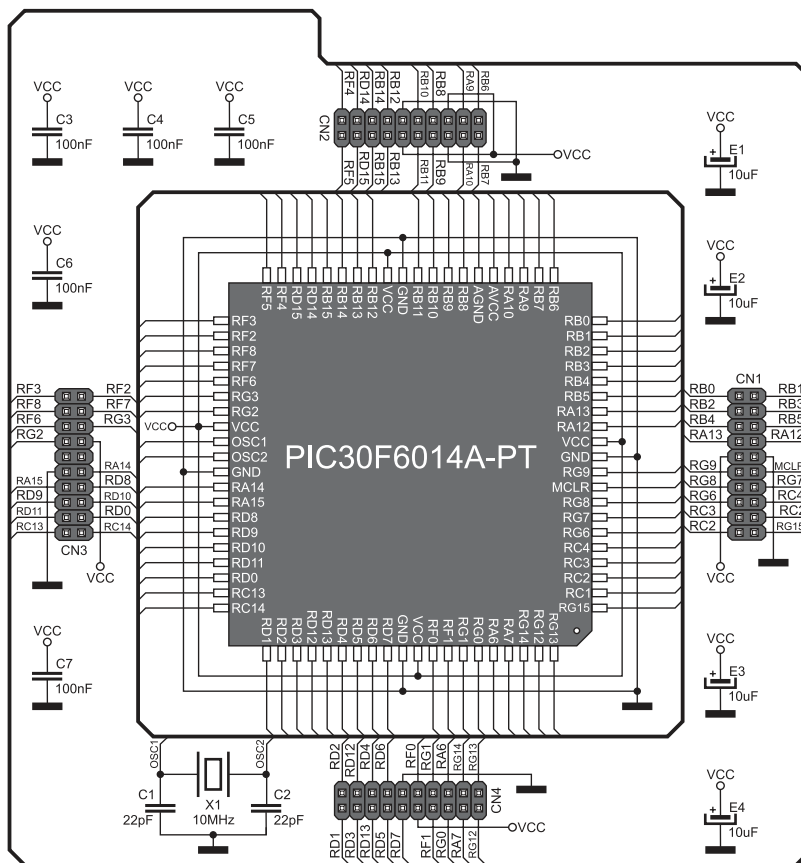


Figure 2: 80-pin MCU card and microcontroller in PT package connection schematic

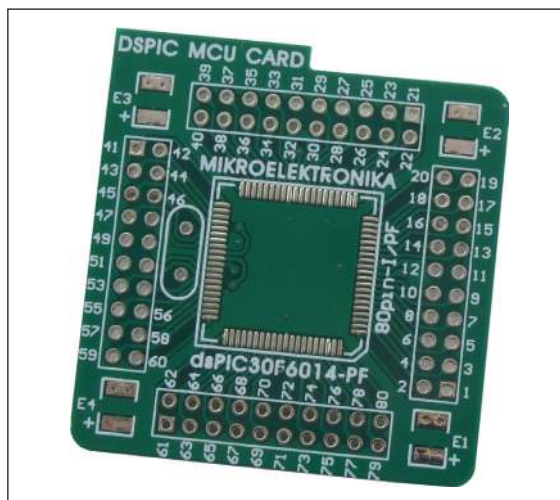


Figure 3: Empty MCU card

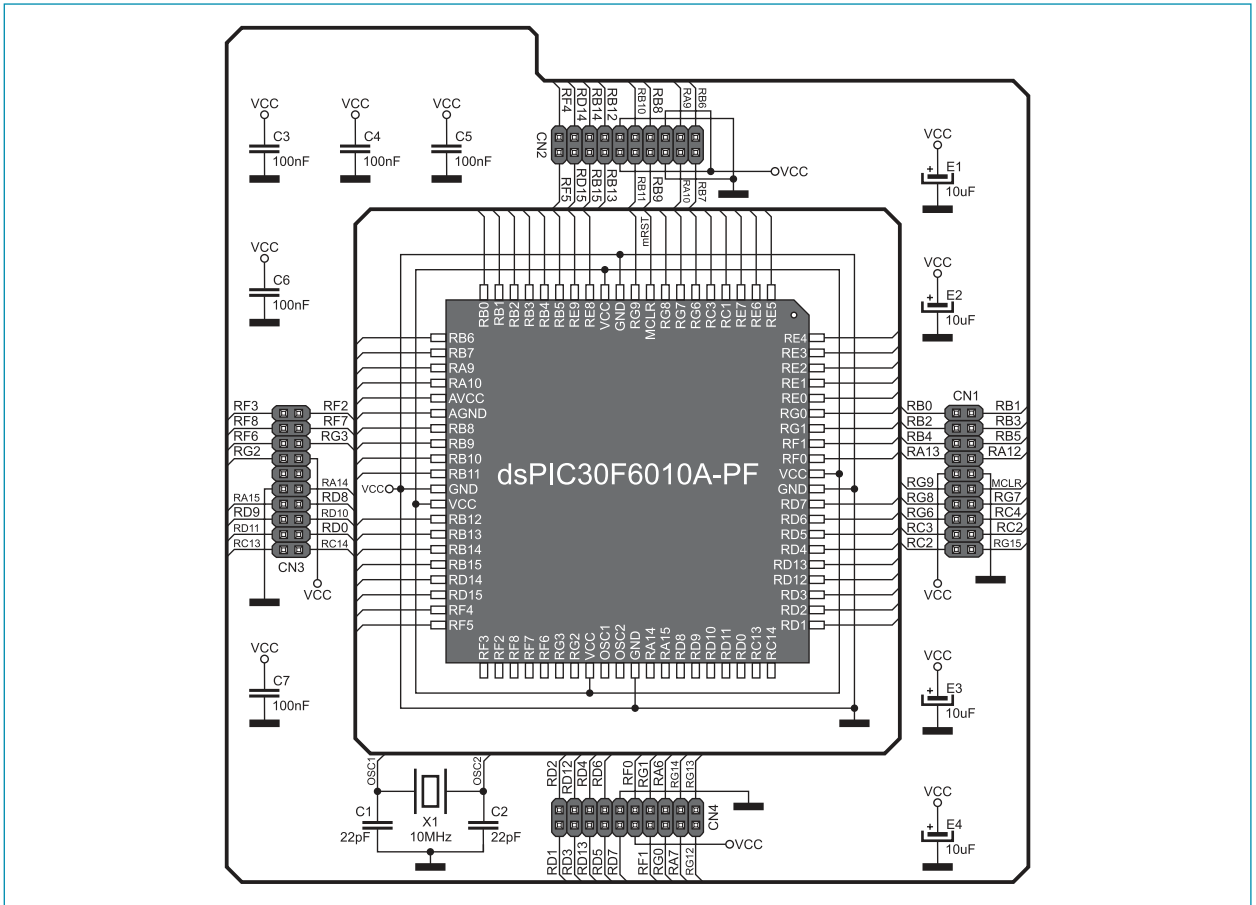


Figure 4: 80-pin MCU card and microcontroller in PF package connection schematic

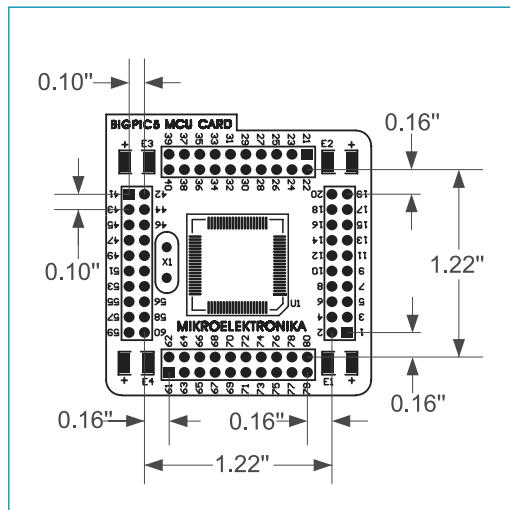


Figure 5: Dimensions of MCU card for dsPIC PRO4





**MikroElektronika**  
SOFTWARE AND HARDWARE SOLUTIONS FOR EMBEDDED WORLD ...making it simple

If you want to learn more about our products, please visit our website at [www.mikroe.com](http://www.mikroe.com)

If you are experiencing some problems with any of our products or just need additional information, please place your ticket at [www.mikroe.com/en/support](http://www.mikroe.com/en/support)

If you have any questions, comments or business proposals, do not hesitate to contact us at [office@mikroe.com](mailto:office@mikroe.com)