

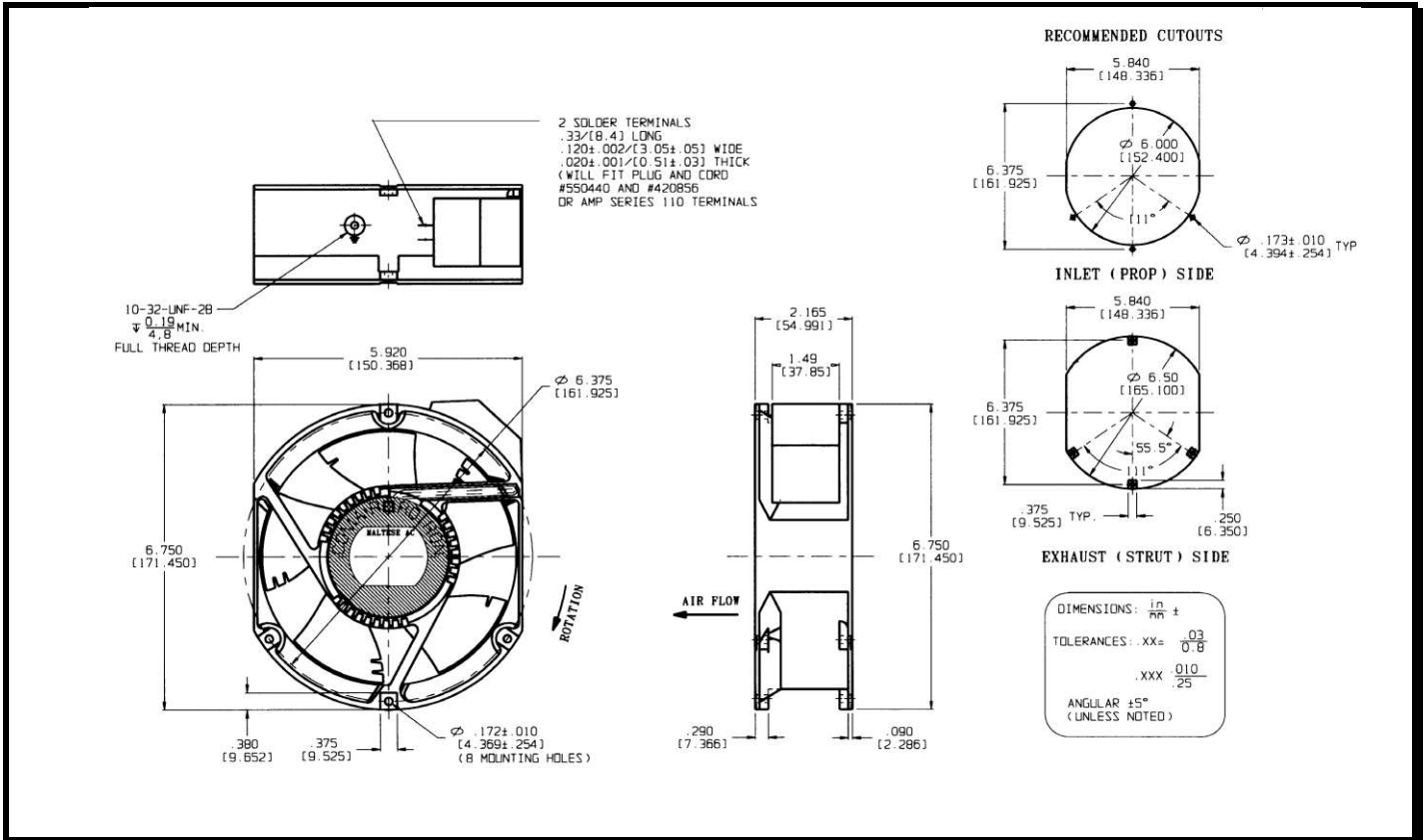
# SPECIFICATIONS



**Model Number:** MA2B3  
**Part Number:** 19031842A

**Version:** 01  
**Jan 08, 2018**

## Mechanical Drawing:



### Motor:

Nominal Voltage = 115 VAC  
 Frequency = 50 / 60 Hz  
 Nominal Running Current = 0.33 / 0.36 Amps  
 Max. Locked Rotor Current = 0.750 Amps  
 Running Power = 40.5 / 41.4 Watts  
 Average Speed = 2850 / 3400 RPM  
 Bearings = Ball  
 Air Flow = 250 / 300 CFM  
 Acoustic = 54.8/ 56.5 dBA

### Construction:

Venturi: Single piece Die-Cast Aluminum, Black  
 Propeller: Polycarbonate, Black, UL 94V-0.

### Life Expectancy:

This fan is designed for continuous duty life of 55,000 hours at 40°C.

### Additional Features:

Permanent Split Capacitor Motor  
 Automatic Reset Thermal Protector  
 Feathered Edge Propeller  
 Operating Temperature: -10°C to 70°C  
 Storage Temperature: -40°C to 85°C

### Termination:

2x0.11" Terminals

### Agency Approvals:

UL, CUL, CE

**PQ Curve:**

