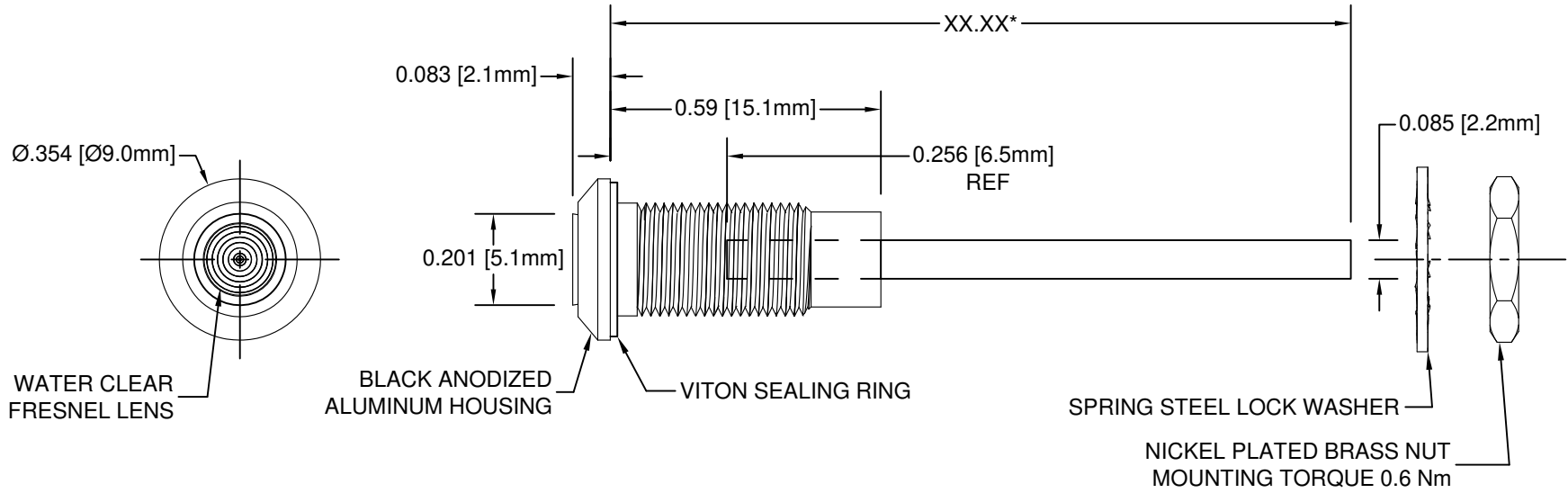
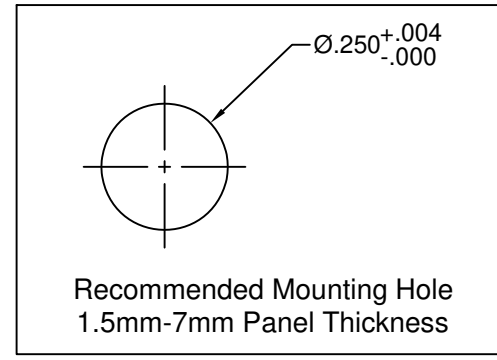


| REV. | DESCRIPTION | DATE | APPROVED |
|------|--|----------|----------|
| B | Engineering Release | 03/15/12 | T. Y. |
| C | Added Note 5 | 12/10/12 | T. Y. |
| D | Corrected Length Call Out & Updated Note 5 | 08/23/16 | J. C. |
| | | | |



| *Length "XX.XX" | Tolerance |
|-----------------|-----------|
| 1.00" ~ 16.00" | ±0.05" |
| 16.25" ~ 40.00" | ±0.15" |
| 40.25" ~ 80.00" | ±0.30" |
| 80.25" ~ 500.0" | ±0.5% |

EXAMPLE:
PM3-A1522-6.50
 Series Fiber Length in
 0.25" Increments



- NOTES:**
1. SEALED TO IP67 RATING
 2. ROHS COMPLIANT
 3. MOUNTING HARDWARE SHIPPED NON-ASSEMBLED
 4. INSERT VITON RING ON PANEL MOUNT PRIOR TO PANEL INSERTION
 5. ALLOWABLE CABLE CUT LENGTH IS UP TO 3 DECIMAL PLACES

| | | | |
|--|---------|---|---|
| STANDARD TOLERANCE (UNLESS OTHERWISE SPECIFIED) | | BIVAR [®] 4 THOMAS, IRVINE, CA. 92618 TEL: (949) 951-8808 FAX: (949) 951-3974 | |
| DECIMALS | ANGULAR | | |
| .X ± .1 | X° ± 1° | | TITLE: IP67 Rated Metal Panel Mount Flexible Light Pipe Indicator |
| .XX ± .02 | | | |
| .XXX ± .010 | | DESIGNED: T. Yin | DATE: 03/15/12 |
| | | CHECKED: B. Oliver | DATE: 03/15/12 |
| | | PART NO: PM3-A1522-XX.XX | |
| | | CAGE CODE : 32559 | REVISION: D |
| | | SHEET # 1 OF 1 | |
| CAD GENERATED DOCUMENT. DO NOT MEASURE DRAWING. | | | |