

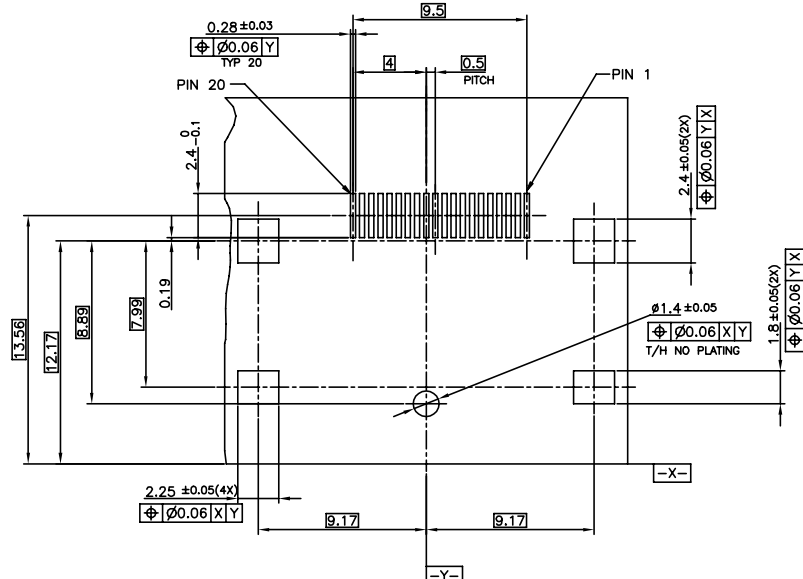
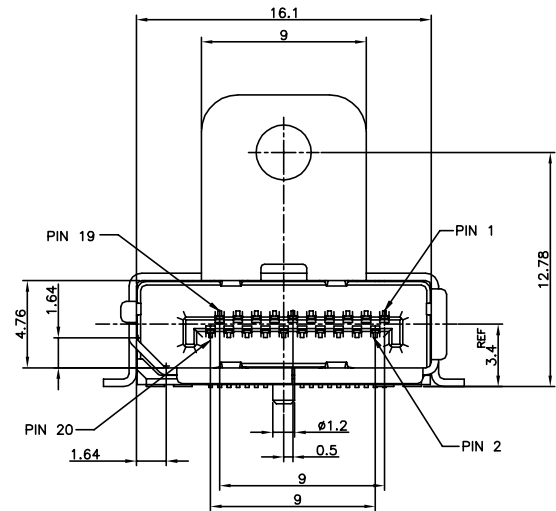
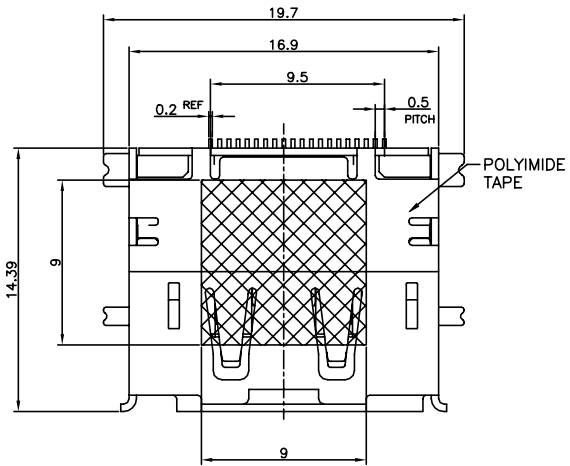
4

3

2

1

REVISIONS				
P	LTR	DESCRIPTION	DATE	APPD
E		REVISED PER ECO-21-005727	25MAY2021	AK SZ



RECOMMENDED PCB LAYOUT MOUNTING SIDE

FULL R TYP

(INCLUDE ALL CONTACTS AND SHELL'S SOLDER PEGS) - BEFORE REFLOW

(INCLUDE ALL CONTACTS AND SHELL'S SOLDER PEGS) - AFTER REFLOW

- △ MATERIAL:
HOUSING: HIGH TEMPERATURE THERMAL PLASTIC, BLACK, UL94V-0
CONTACT: COPPER ALLOY
SHELL: COPPER ALLOY
- △ FINISH:
CONTACT: CONTACT AREA: 0.76 MINIMUM MICRON GOLD PLATING OVER
1.27 MINIMUM MICRON NICKEL PLATING ALL
SOLDER TAIL AREA: 2.54 MINIMUM MICRON MATTE TIN PLATING.
SHELL: MATTE TIN PLATING.

- 3 THIS PRODUCT IS PACKED IN REEL.
- 4 HALOGEN FREE.

OBSELETE	WITH	5-2040247-5
	WITHOUT	2040247-5
	POLYIMIDE TAPE	PART NUMBER

THIS DRAWING IS A CONTROLLED DOCUMENT.		DWG Y.HIRATA 15FEB2008	TE Connectivity Ltd.										
DIMENSIONS: 公差: 萬 mm		CHK T.KUSUHARA 15FEB2008											
TOLERANCES UNLESS OTHERWISE SPECIFIED: 公差 萬 mm		APPD T.KUSUHARA 15FEB2008	NAME 名稱										
<table border="1"> <tr><td>0 PLC</td><td>± 0.3</td></tr> <tr><td>1 PLC</td><td>± 0.3</td></tr> <tr><td>2 PLC</td><td>± 0.3</td></tr> <tr><td>3 PLC</td><td>± 0.3</td></tr> <tr><td>4 PLC</td><td>± 0.3</td></tr> </table>		0 PLC	± 0.3	1 PLC	± 0.3	2 PLC	± 0.3	3 PLC	± 0.3	4 PLC	± 0.3	PRODUCT SPEC 製品規格 108-78515	RECEPTACLE ASSEMBLY DISPLAYPORT RA SMT STD SMT-LEG WITH FLANGE
0 PLC	± 0.3												
1 PLC	± 0.3												
2 PLC	± 0.3												
3 PLC	± 0.3												
4 PLC	± 0.3												
MATERIAL 材料		FINISH 仕上	SIZE 尺碼 A2										
		WEIGHT 重量 2.82g	CAGE CODE 籠碼 00779										
		CUSTOMER DRAWING	DRAWING NO 圖號 2040247										
			RESTRICTED TO 限制 SCALE 尺碼 5:1 SHEET 1 of 3 REV E										

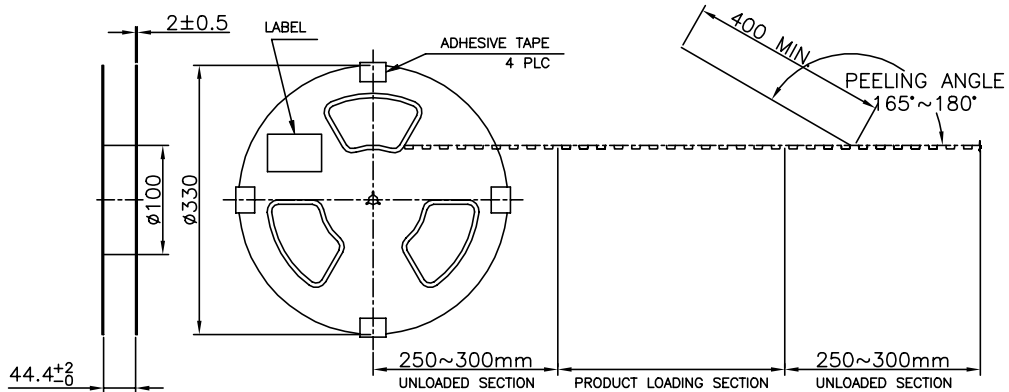
4

3

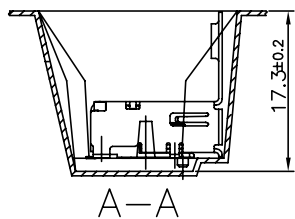
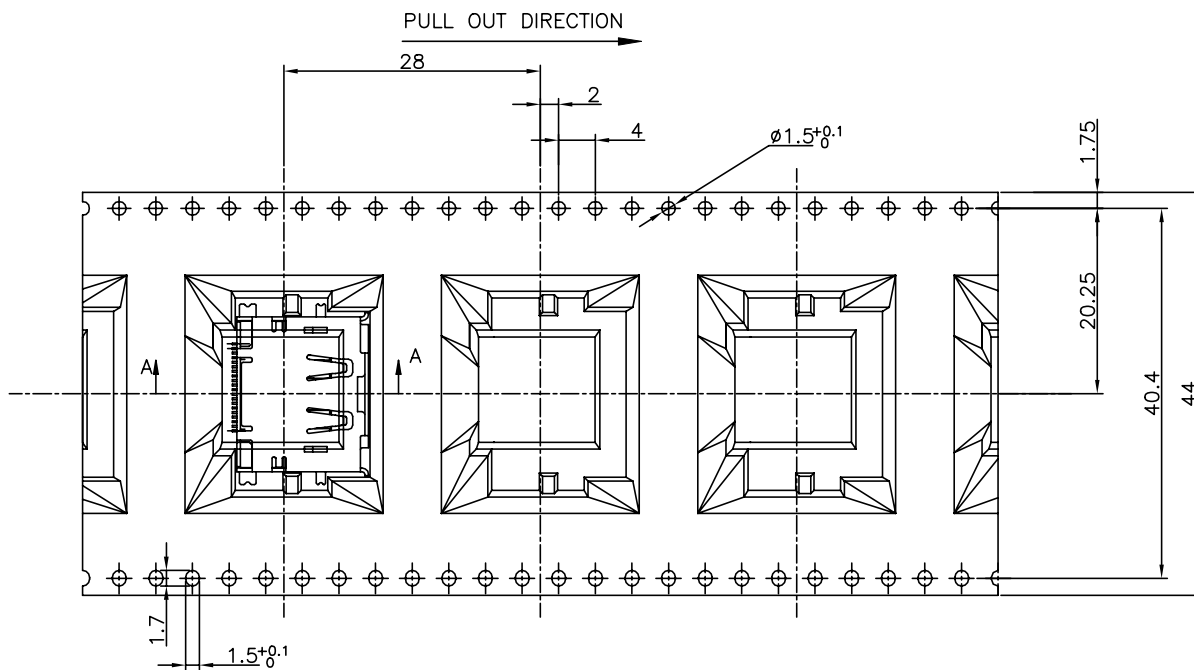
2

1

REVISIONS					
P	LTR	DESCRIPTION	DATE	DWN	APVD
-	-	SEE SHEET 1	-	-	-



PACKING FOR 2040247-5



THIS DRAWING IS A CONTROLLED DOCUMENT.		DWN	TE TE Connectivity Ltd.
DIMENSIONS: 單位: 毫米		CHK	
TOLERANCES UNLESS OTHERWISE SPECIFIED: 公差		APVD	NAME 名稱
0 PLC ± 0.3	PRODUCT SPEC 製品規格	RECEPTACLE ASSEMBLY	
1 PLC ± 0.3	APPLICATION SPEC 零件適用規格	DISPLAYPORT RA SMT STD	
2 PLC ± 0.3	FINISH 仕上	SIZE	DRAWING NO
3 PLC ± 0.3	ANGLES ± 2°	A2	00779
4 PLC ± 0.3		CAGE CODE	2040247
MATERIAL 材料		WEIGHT	RESTRICTED TO
CUSTOMER DRAWING		SCALE 尺碼	NTS
		SHEET	2 of 3
		REV	E

2040247

4

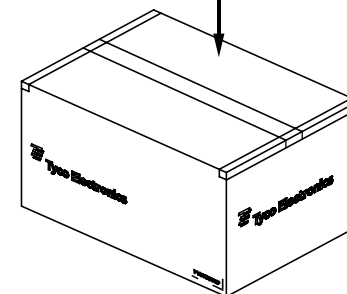
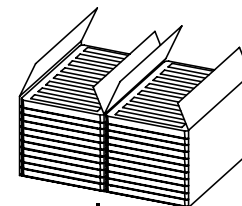
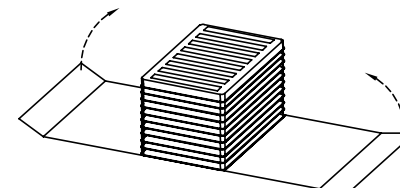
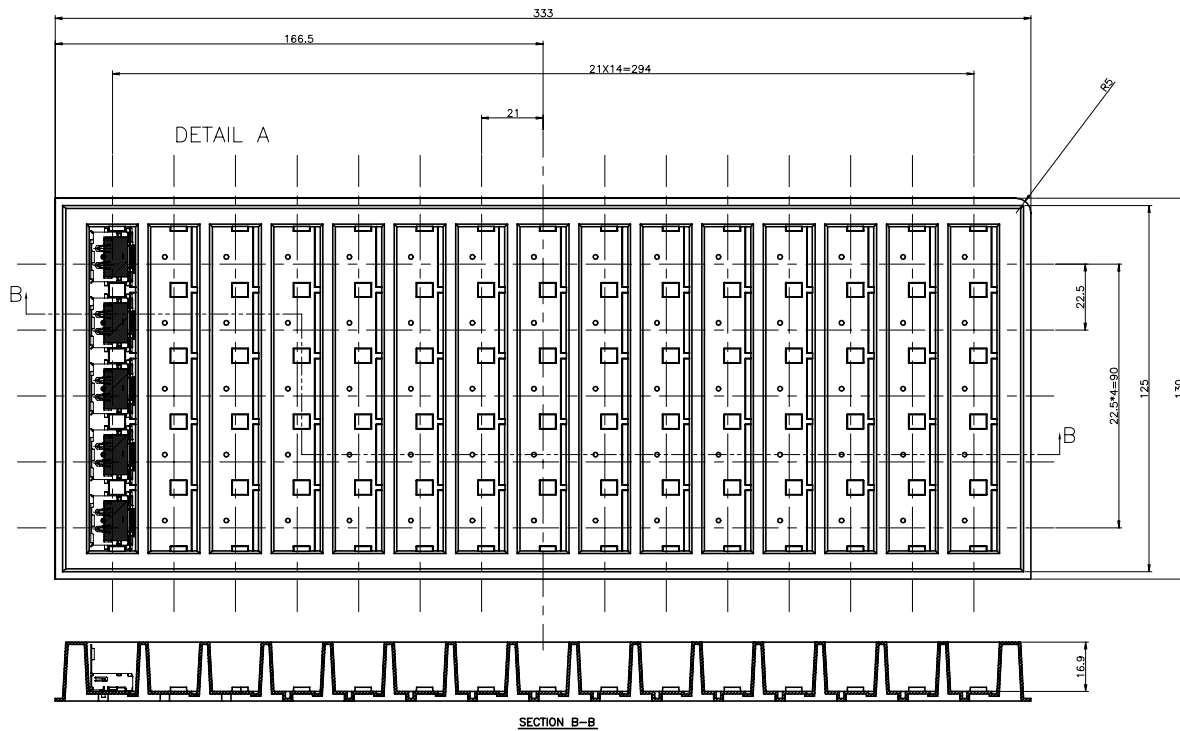
3

2

1

REVISIONS					
P	LTR	DESCRIPTION	DATE	DWN	APVD
-	-	SEE SHEET 1	-	-	-

PACKING FOR 5-2040247-5



OBSOLETE

- 1. PACKING MATERIAL :
 - 1.1 TRAY: PS
 - 1.2 SHIPPING CARTON: CORRUGATED FIBER
- 2. QUANTITY :
 - 2.1 PRIMARY PACKING: 75 PCS/TRAY
 - 2.2 SECONDARY PACKING: 20 TRAY (1500 PCS)/BOX

THIS DRAWING IS A CONTROLLED DOCUMENT.		DWN	16P282008
DIMENSIONS: 单位: 毫米		CHK	
TOLERANCES UNLESS OTHERWISE SPECIFIED: 公差		APVD	
0 PLC ± 0.3		PRODUCT SPEC	NAME
1 PLC ± 0.3		製品規格	RECEPTACLE ASSEMBLY
2 PLC ± 0.3		APPLICATION SPEC	DISPLAYPORT RA SMT STD
3 PLC ± 0.3		零件適用規格	SMT-LEG WITH FLANGE
4 PLC ± 0.3		SIZE	CAGE CODE
FINISH 仕上		A2	00779
MATERIAL 材料		DRAWING NO	DRAWING NO
		C=2040247	RESTRICTED TO
		WEIGHT	
		CUSTOMER DRAWING	SCALE
			NTS
		SHEET	3 of 3
		REV	E

2040247