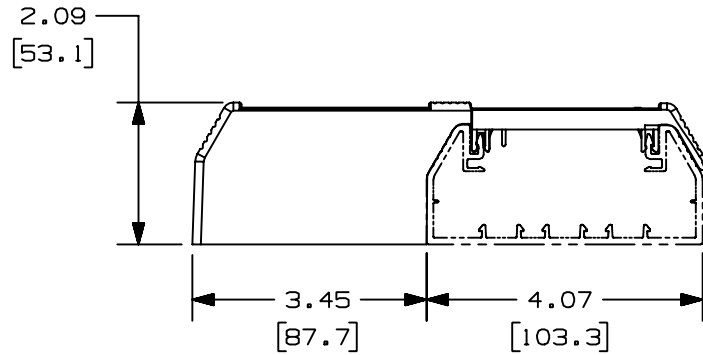
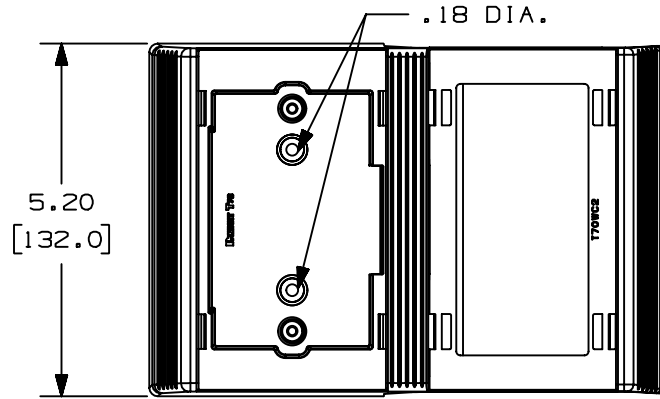


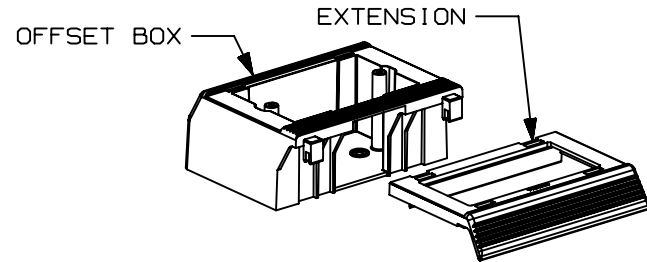
THIS COPY IS PROVIDED ON A RESTRICTED BASIS AND IS NOT TO BE USED IN ANY WAY DETRIMENTAL TO THE INTERESTS OF PANDUIT CORP.



PANDUIT P/N	WEIGHT
T70WC2	3.9 LB/10 PCS (1780 g/10 PCS)

NOTES:

1. SEE CURRENT CATALOG FOR ADDITIONAL PART SUFFIXES TO INDICATE COLOR AND OR PACKAGE QUANTITY.
2. ACCEPTS PANDUIT SNAP-ON TYPE FACEPLATES.
3. DIMENSIONS IN PARENTHESIS ARE IN METRIC.



B

CAD FILENAME/LAYERS D36022CZ\_DC\_T70WC2\_02.PRT

PANDUIT CORP. TINLEY PARK, ILLINOIS  
 T70 WORKSTATION OUTLET CENTER  
 FOR SNAP-ON FACEPLATES (T70WC2)  
 CUSTOMER DRAWING

UNLESS OTHERWISE SPECIFIED, DIMENSIONAL TOLERANCES ARE: (.X) ± (.XXX) ± (.XX) ±.03 (.8) ANGLES ±		UNLESS OTHERWISE SPECIFIED, ALL DIMENSIONS ARE GIVEN IN INCHES, THIRD ANGLE PROJECTION.	
DRAWN BY DW	MAT'L: PVC	SCALE NONE	
DATE 04-16-98	A	DRAWING NO. 36022-24	DWG A
CHECKED BY HIW		SIZE	

REV	DATE	BY	CHK	DESCRIPTION	ECN	CHK	CUST	SUP
2	03-18-04	JHEP	RGRO	B. REVISED TITLE DESCRIPTION	36022-24	RGRO	RGRO	
1	03-17-99	DW	HIW	A. MATERIAL WAS ABS/PC.	36022-24	HIW	HIW	
R	04-16-98	DW	HIW	RELEASED TO PRODUCTION	36022-24	HIW	HIW	