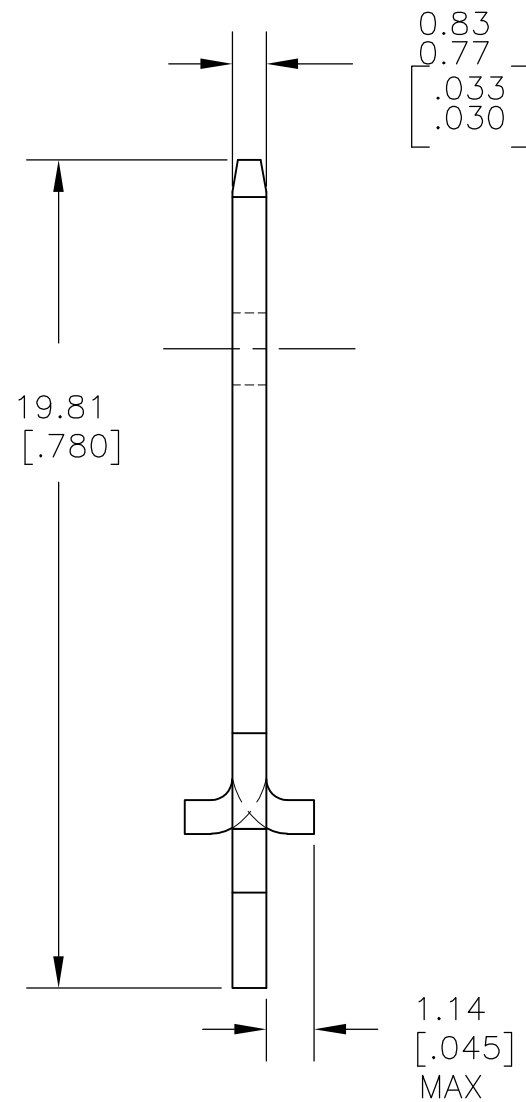
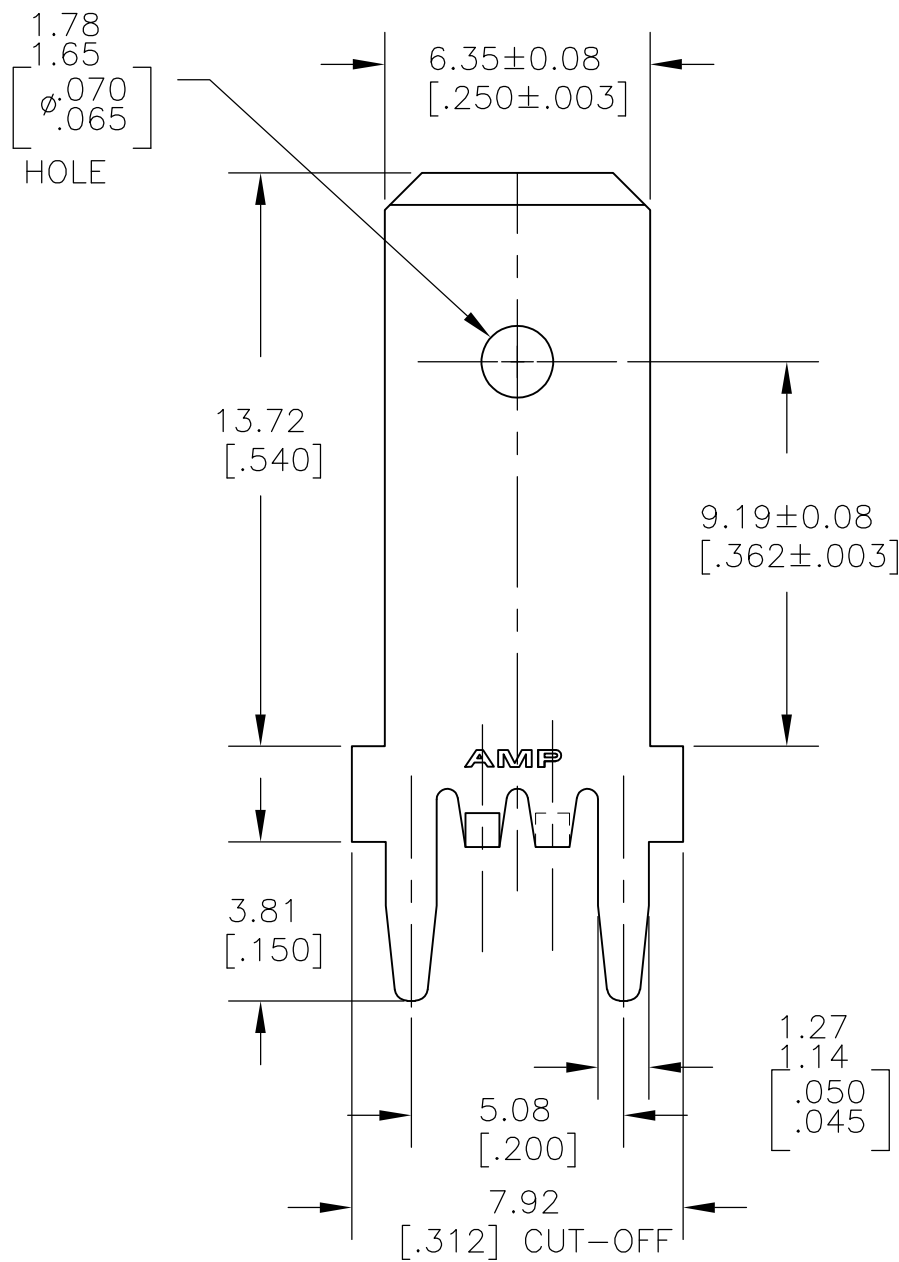
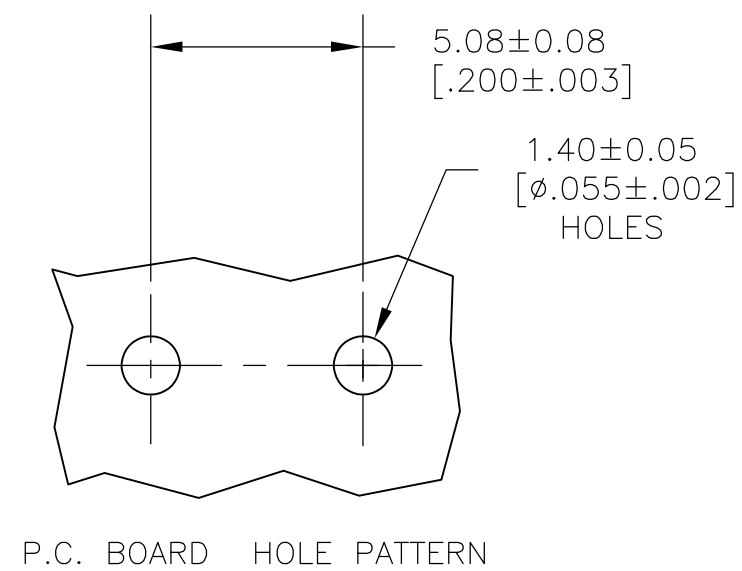


THIS DRAWING IS UNPUBLISHED. RELEASED FOR PUBLICATION
 © COPYRIGHT - By - ALL RIGHTS RESERVED.

LOC	DIST	REVISIONS			
P	LTR	DESCRIPTION	DATE	DWN	APVD
AF	50	D	REVISED PER ECR-13-001204	28JUN13	KH PD



1 SUPPLIED IN LOOSE PIECE AFTER PLATING, BARE EDGES AT CUT-OFFS.
 2 TIN PLATE 0.00381 [.000150] MIN OVER 0.00254 [.000100] MIN THK COPPER.



1217167-1
 PART NO.

THIS DRAWING IS A CONTROLLED DOCUMENT.		DWN	JR RUTH	28MAR01	 TE Connectivity	NAME		TAB, FASTON, P.C.BOARD		
DIMENSIONS:		CHK	MS FEHER	28MAR01		6.35 [.250]		RESTRICTED TO		
mm [INCHES]		APVD	N DEIBERT	28MAR01		SIZE		CAGE CODE	DRAWING NO	REV
		TOLERANCES UNLESS OTHERWISE SPECIFIED:		PRODUCT SPEC		A3		00779	C-1217167	D
MATERIAL		FINISH		APPLICATION SPEC	WEIGHT		SCALE		SHEET	
BRASS		2		—	—		6:1		1 of 1	
CUSTOMER DRAWING					SHEET		1 of 1		REV	