

1-1586765-0 ✓ ACTIVE



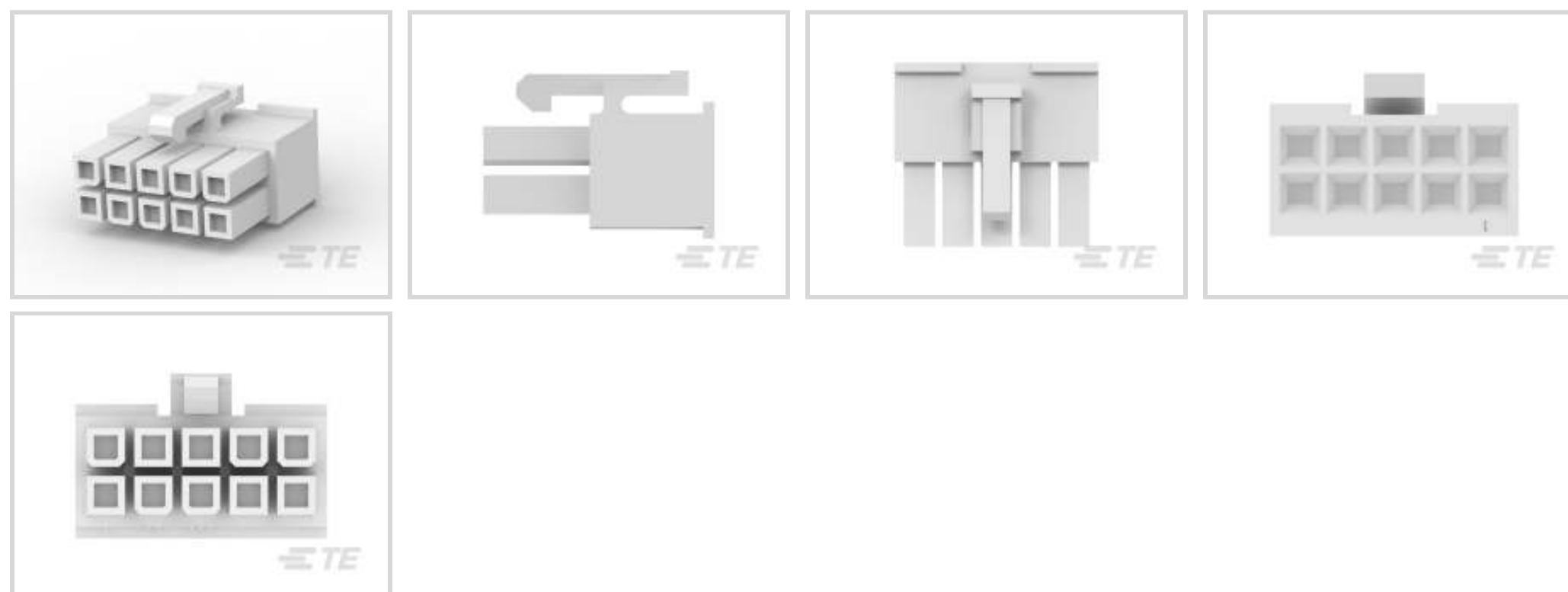
VAL-U-LOK

TE Internal #: 1-1586765-0

Rectangular Power Connectors, Housing, Receptacle, Wire-to-Wire / Wire-to-Board, 10 Position, 4.2 mm [.165 in] Centerline, Wire & Cable, UL 94V-2

[View on TE.com >](#)

Connectors > Power Connectors > Rectangular Power > Rectangular Power Connectors



Rectangular Power Connector Type: **Housing**

Connector & Housing Type: **Receptacle**

Connector System: **Wire-to-Board, Wire-to-Wire**

Number of Positions: **10**

Centerline (Pitch): **4.2 mm [.165 in]**

Features

Product Type Features

Rectangular Power Connector Type	Housing
Connector & Housing Type	Receptacle
Connector System	Wire-to-Board, Wire-to-Wire
Sealable	No
Connector & Contact Terminates To	Wire & Cable

Configuration Features

Compatible With Wire & Cable Type	Discrete Wire
Number of Positions	10
Number of Rows	2

Electrical Characteristics

Operating Voltage	600 VAC
-------------------	---------

Contact Features

Contact Layout	Matrix
Contact Retention Within Housing	Without



Contact Type	Receptacle
--------------	------------

Termination Features

Termination Method to Wire & Cable	Crimp
------------------------------------	-------

Mechanical Attachment

Connector Mounting Type	Cable Mount (Free-Hanging)
-------------------------	----------------------------

Housing Features

Centerline (Pitch)	4.2 mm [.165 in]
--------------------	------------------

Housing Color	White
---------------	-------

Housing Material	Polyamide
------------------	-----------

Dimensions

Connector Height	11.8 mm [.464 in]
------------------	-------------------

Product Width	20 mm [.787 in]
---------------	-----------------

Product Length	22.2 mm [.874 in]
----------------	-------------------

Compatible Insulation Diameter Range	1.2 – 3.1 mm [.047 – .122 in]
--------------------------------------	-------------------------------

Row-to-Row Spacing	4.2 mm [.165 in]
--------------------	------------------

Usage Conditions

Operating Temperature Range	-40 – 105 °C [-40 – 221 °F]
-----------------------------	-----------------------------

Operation/Application

Circuit Application	Power & Signal
---------------------	----------------

Identification Marking

Circuit Identification Feature	With
--------------------------------	------

Industry Standards

CSA Rating	208567
------------	--------

UL Rating	Recognized
-----------	------------

Agency/Standard	CSA, UL
-----------------	---------

Approved Standards	UL E28476
--------------------	-----------

UL Flammability Rating	UL 94V-2
------------------------	----------

Glow Wire Rating	GWT 750°C (Without Flame)
------------------	---------------------------

Packaging Features

Packaging Quantity	500
--------------------	-----

Packaging Method	Bag
------------------	-----



Product Compliance

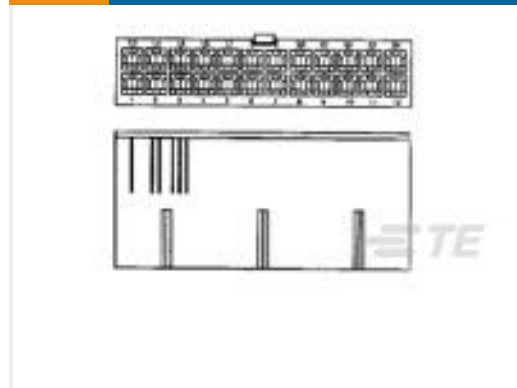

[For compliance documentation, visit the product page on TE.com>](#)

EU RoHS Directive 2011/65/EU	Compliant
EU ELV Directive 2000/53/EC	Compliant
China RoHS 2 Directive MIIT Order No 32, 2016	No Restricted Materials Above Threshold
EU REACH Regulation (EC) No. 1907/2006	Current ECHA Candidate List: JUNE 2023 (235) Candidate List Declared Against: JUNE 2022 (224) Does not contain REACH SVHC
Halogen Content	Low Halogen - Br, Cl, F, I < 900 ppm per homogenous material. Also BFR/CFR/PVC Free
Solder Process Capability	Not applicable for solder process capability

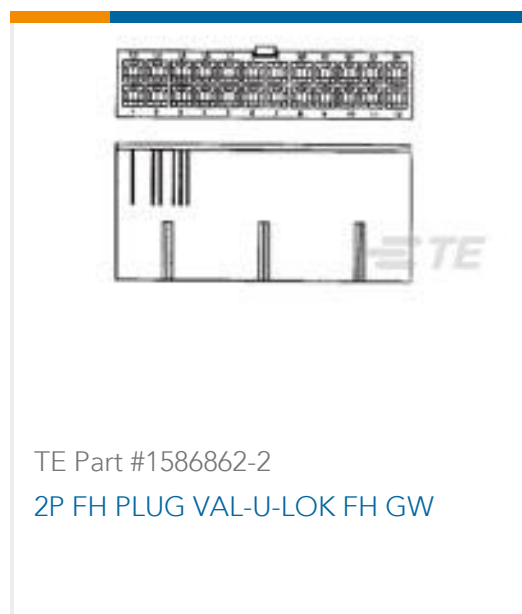
Product Compliance Disclaimer

This information is provided based on reasonable inquiry of our suppliers and represents our current actual knowledge based on the information they provided. This information is subject to change. The part numbers that TE has identified as EU RoHS compliant have a maximum concentration of 0.1% by weight in homogenous materials for lead, hexavalent chromium, mercury, PBB, PBDE, DBP, BBP, DEHP, DIBP, and 0.01% for cadmium, or qualify for an exemption to these limits as defined in the Annexes of Directive 2011/65/EU (RoHS2). Finished electrical and electronic equipment products will be CE marked as required by Directive 2011/65/EU. Components may not be CE marked. Additionally, the part numbers that TE has identified as EU ELV compliant have a maximum concentration of 0.1% by weight in homogenous materials for lead, hexavalent chromium, and mercury, and 0.01% for cadmium, or qualify for an exemption to these limits as defined in the Annexes of Directive 2000/53/EC (ELV). Regarding the REACH Regulation, the information TE provides on SVHC in articles for this part number is based on the latest European Chemicals Agency (ECHA) 'Guidance on requirements for substances in articles' posted at this URL: <https://echa.europa.eu/guidance-documents/guidance-on-reach>

Compatible Parts

 <p>TE Part # 1-1586861-0 10P PM PLUG VAL-U-LOK PM GW</p>	 <p>TE Part # 1-2296207-0 10P PM PLUG VAL-U-LOK PM GWT/V0</p>	 <p>TE Part # 1-1586862-0 10P FH PLUG VAL-U-LOK FH GW</p>	 <p>TE Part # 1-2296206-0 10P FH PLUG VAL-U-LOK FH GWT/V0</p>
--	---	--	--

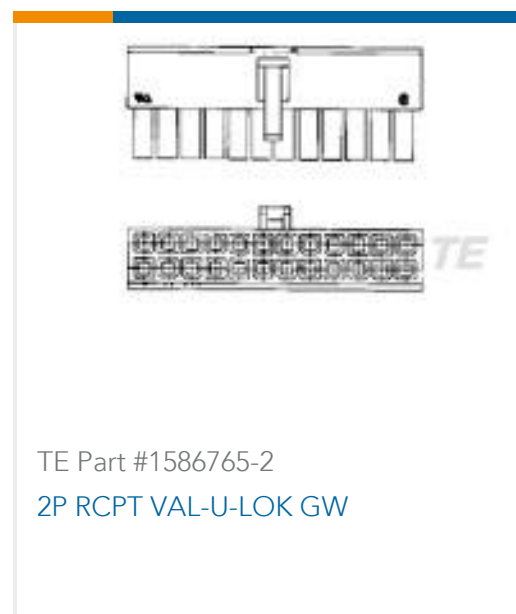
Customers Also Bought



TE Part #1586862-2
2P FH PLUG VAL-U-LOK FH GW



TE Part #41832
250 FASTON REC 18-14 AWG TPBR



TE Part #1586765-2
2P RCPT VAL-U-LOK GW



TE Part #2825209-1
VAL-U-LOK SKT 16AWG HCS SN LP



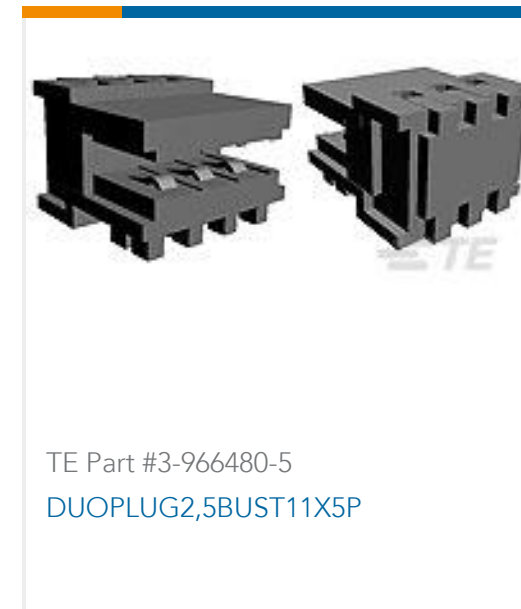
TE Part #1-1534072-3
MULTIF.ASSY MK2 3POS,AR



TE Part #1534072-5
MULTIF.ASSY MK2 5P,AR



TE Part #1534072-7
AMP MF MK II ASS'Y/AR 7POS



TE Part #3-966480-5
DUOPLUG2,5BUST11X5P

Documents

Product Drawings

[10P RCPT VAL-U-LOK GW](#)

English

CAD Files

[3D PDF](#)

3D

Customer View Model

[ENG_CVM_CVM_1-1586765-0_D.2d_dxf.zip](#)

English

Customer View Model

[ENG_CVM_CVM_1-1586765-0_D.3d_igs.zip](#)

English

Customer View Model

[ENG_CVM_CVM_1-1586765-0_D.3d_stp.zip](#)

English

By downloading the CAD file I accept and agree to the [Terms and Conditions](#) of use.

Datasheets & Catalog Pages

[VAL-U-LOK_GLOW_WIRE_CONNECTORS](#)

English

Product Specifications

[Application Specification](#)

English

Agency Approvals

[UL Report](#)

1-1586765-0

Rectangular Power Connectors, Housing, Receptacle, Wire-to-Wire / Wire-to-Board,
10 Position, 4.2 mm [.165 in] Centerline, Wire & Cable, UL 94V-2



English