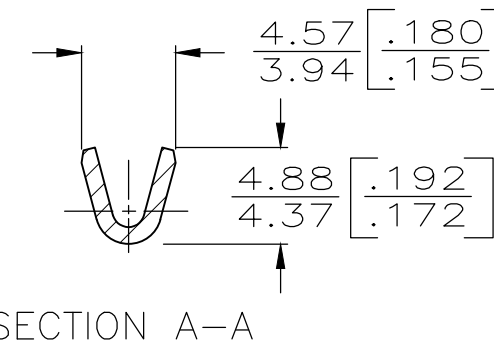
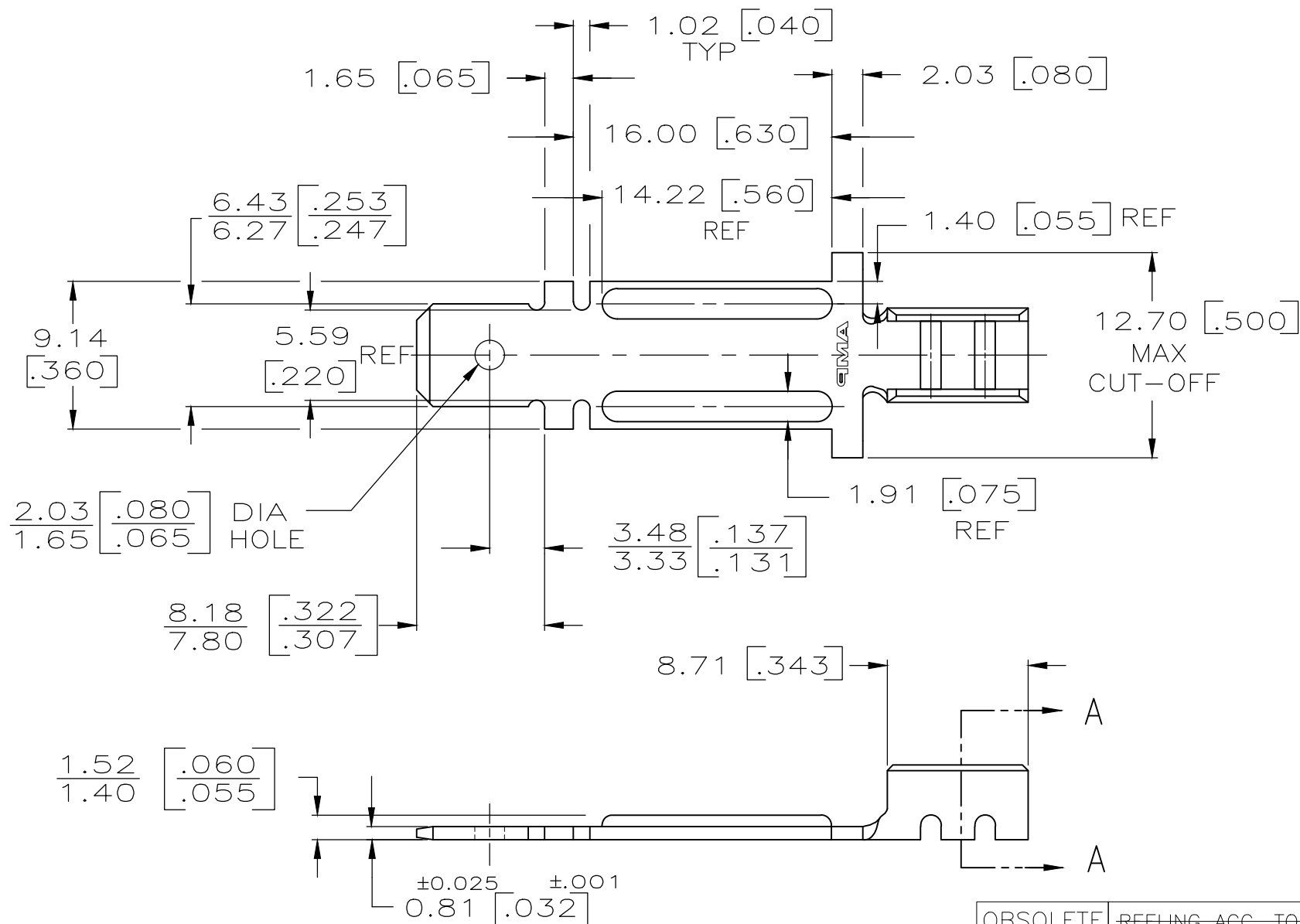


THIS DRAWING IS UNPUBLISHED. RELEASED FOR PUBLICATION  
 © COPYRIGHT - By - ALL RIGHTS RESERVED.

| LOC | DIST | REVISIONS                 |           |     |      |
|-----|------|---------------------------|-----------|-----|------|
| P   | LTR  | DESCRIPTION               | DATE      | DWN | APVD |
| AF  | 50   |                           |           |     |      |
|     | A2   | REVISED PER ECR-19-018151 | 12NOV2020 | AA  | EW   |

- 1 DIMENSIONS IN BRACKETS ARE IN INCHES.
- 2 CONTINUOUS STRIP ON REELS.

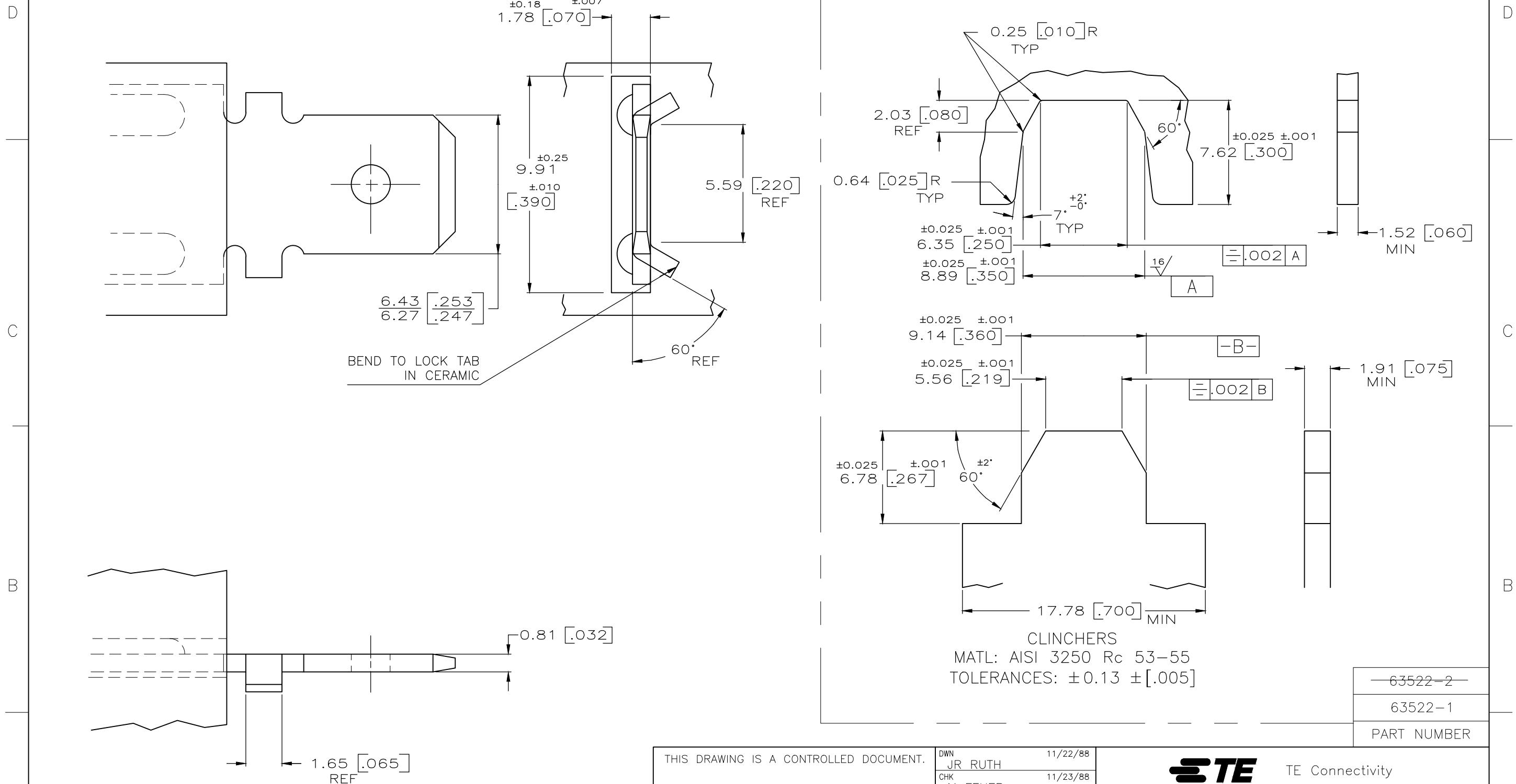


|          |                                       |                          |             |
|----------|---------------------------------------|--------------------------|-------------|
| OBSOLETE | REELING ACC. TO TE SPEC. 107-3 FIG. 1 | [20-15] 0.81-1.45 MM DIA | 63522-2     |
|          | REELING ACC. TO TE SPEC. 107-3 FIG. 3 | [20-15] 0.81-1.45 MM DIA | 63522-1     |
|          | REELING                               | WIRE SIZE                | PART NUMBER |

|  |  |                    |             |          |       |                                  |            |               |     |    |
|--|--|--------------------|-------------|----------|-------|----------------------------------|------------|---------------|-----|----|
| THIS DRAWING IS A CONTROLLED DOCUMENT.   |  | DWN                | JR RUTH     | 11/22/88 |       | TE Connectivity                  |            |               |     |    |
| DIMENSIONS: mm[INCHES]   |  | CHK                | M FEHER     | 11/23/88 |       | NAME                             |            |               |     |    |
| TOLERANCES UNLESS OTHERWISE SPECIFIED:   |  | APVD               | J GILLESPIE | 11/28/88 |       | TAB, NI-CHROME WIRE, .250 SERIES |            |               |     |    |
| 0 PLC ± -<br>1 PLC ± -<br>2 PLC ± -<br>3 PLC ± 0.25[.010]<br>4 PLC ± -<br>ANGLES ± - |  | PRODUCT SPEC       | -           |          |       | APPLICATION SPEC                 |            |               |     |    |
| MATERIAL   |  | FINISH             | 114-2097    |          | SIZE  | CAGE CODE                        | DRAWING NO | RESTRICTED TO |     |    |
| CRS TEMP 2   |  | NICKEL .000100 MIN | WEIGHT -    |          | A3    | 00779                            | C-63522    | -             |     |    |
| CUSTOMER DRAWING   |  |                    |             |          | SCALE | 4:1                              | SHEET      | 1 OF 2        | REV | A2 |

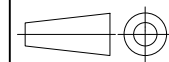
THIS DRAWING IS UNPUBLISHED. RELEASED FOR PUBLICATION  
 © COPYRIGHT - By - ALL RIGHTS RESERVED.

| LOC | DIST | REVISIONS   |      |     |      |
|-----|------|-------------|------|-----|------|
| P   | LTR  | DESCRIPTION | DATE | DWN | APVD |
| AF  | 50   | SEE SHEET 1 | -    | -   | -    |



THIS DRAWING IS A CONTROLLED DOCUMENT.

DIMENSIONS:  
mm[INCHES]



TOLERANCES UNLESS OTHERWISE SPECIFIED:

|        |              |
|--------|--------------|
| 0 PLC  | ± -          |
| 1 PLC  | ± -          |
| 2 PLC  | ± -          |
| 3 PLC  | ± 0.38[.015] |
| 4 PLC  | ± -          |
| ANGLES | ± -          |

MATERIAL  
CRS  
TEMP 2

FINISH  
NICKEL  
.000100 MIN

|                  |             |          |
|------------------|-------------|----------|
| DWN              | JR RUTH     | 11/22/88 |
| CHK              | M FEHER     | 11/23/88 |
| APVD             | J GILLESPIE | 11/28/88 |
| PRODUCT SPEC     |             |          |
| APPLICATION SPEC | 114-2097    |          |
| WEIGHT           | -           |          |
| CUSTOMER DRAWING |             |          |

|   |           |            |               |
|---|-----------|------------|---------------|
| TE Connectivity                             |           |            |               |
| NAME<br>TAB, NI-CHROME WIRE,<br>.250 SERIES |           |            |               |
| SIZE  | CAGE CODE | DRAWING NO | RESTRICTED TO |
| A3  | 00779     | C-63522    | -             |
| SCALE                                       | SHEET     | REV        |               |
| 6:1   | 2 of 2    | A2         |               |

|             |
|-------------|
| 63522-2     |
| 63522-1     |
| PART NUMBER |