

4 Type (Base)

- A0** Without rubber pad / cap
- B0** Without rubber pad / cap, with 2 mounting holes
- A1** With rubber cap, clipped on, black
- A3** With rubber pad, vulcanized, black

Inch table

d ₁	d ₂ Thread	I ₁				I ₇				d ₃	h ₁	h ₆	m	s	
		Version S / SK		Version U / UK		Version X		Version X							
1.57 40	5/16 x 18	-	-	-	-	-	-	-	-	0.98 25	0.21 5.4	0.08 2	0.14 3.5	1.18 30	0.06 1.5
1.57 40	3/8 x 16	2.95 75	3.94 100	4.92 125	5.91 150	-	-	-	-	1.10 28	0.21 5.4	0.08 2	0.14 3.5	1.18 30	0.06 1.5
1.57 40	1/2 x 13	2.95 75	3.94 100	4.92 125	5.91 150	-	-	-	-	1.22 31	0.21 5.4	0.08 2	0.14 3.5	1.18 30	0.06 1.5
1.57* 40	5/8 x 11	-	-	-	-	2.95 75	3.94 100	4.92 125	5.91 150	1.46 37	0.21 5.4	0.08 2	0.14 3.5	1.18 30	0.06 1.5
1.97 50	5/16 x 18	-	-	-	-	-	-	-	-	0.98 25	0.26 6.6	0.10 2.5	0.16 4	1.50 38	0.08 2
1.97 50	3/8 x 16	2.95 75	3.94 100	4.92 125	5.91 150	-	-	-	-	1.10 28	0.26 6.6	0.10 2.5	0.16 4	1.50 38	0.08 2
1.97 50	1/2 x 13	2.95 75	3.94 100	4.92 125	5.91 150	-	-	-	-	1.26 32	0.26 6.6	0.10 2.5	0.16 4	1.50 38	0.08 2
1.97 50	5/8 x 11	-	-	-	-	2.95 75	3.94 100	4.92 125	5.91 150	1.46 37	0.26 6.6	0.10 2.5	0.16 4	1.50 38	0.08 2
2.36 60	5/16 x 18	-	-	-	-	-	-	-	-	0.98 25	0.26 6.6	0.10 2.5	0.18 4.5	1.89 48	0.08 2
2.36 60	3/8 x 16	2.95 75	3.94 100	4.92 125	5.91 150	-	-	-	-	1.10 28	0.26 6.6	0.10 2.5	0.18 4.5	1.89 48	0.08 2
2.36 60	1/2 x 13	2.95 75	3.94 100	4.92 125	5.91 150	-	-	-	-	1.26 32	0.26 6.6	0.10 2.5	0.18 4.5	1.89 48	0.08 2
2.36 60	5/8 x 11	-	-	-	-	2.95 75	3.94 100	4.92 125	5.91 150	1.46 37	0.26 6.6	0.10 2.5	0.18 4.5	1.89 48	0.08 2
3.15 80	5/16 x 18	-	-	-	-	-	-	-	-	1.02 26	0.34 8.6	0.12 3	0.20 5	2.52 64	0.08 2
3.15 80	3/8 x 16	2.95 75	3.94 100	4.92 125	5.91 150	-	-	-	-	1.14 29	0.34 8.6	0.12 3	0.20 5	2.52 64	0.08 2
3.15 80	1/2 x 13	2.95 75	3.94 100	4.92 125	5.91 150	-	-	-	-	1.26 32	0.34 8.6	0.12 3	0.20 5	2.52 64	0.08 2
3.15 80	5/8 x 11	-	-	-	-	2.95 75	3.94 100	4.92 125	5.91 150	1.50 38	0.34 8.6	0.12 3	0.20 5	2.52 64	0.08 2
3.15 80	3/4 x 10	-	-	-	-	3.94 100	4.92 125	5.91 150	-	1.77 45	0.34 8.6	0.12 3	0.20 5	2.52 64	0.08 2

* Not available in type B0

d ₁	d ₂ Thread	h ₃	h ₄	A/F ₁	A/F ₂	A/F ₃	A/F ₇	t
1.57 40	5/16 x 18	-	-	-	-	-	0.55 14	0.31 8
1.57 40	3/8 x 16	0.43 11	-	0.67 17	-	-	0.55 14	0.39 10
1.57 40	1/2 x 13	0.43 11	-	0.67 17	-	-	0.67 17	0.47 12
1.57 40	5/8 x 11	-	0.67 17	-	0.47 12	0.31 8	0.87 22	0.63 16
1.97 50	5/16 x 18	-	-	-	-	-	0.55 14	0.31 8
1.97 50	3/8 x 16	0.43 11	-	0.67 17	-	-	0.55 14	0.39 10
1.97 50	1/2 x 13	0.43 11	-	0.67 17	-	-	0.67 17	0.47 12
1.97 50	5/8 x 11	-	0.67 17	-	0.47 12	0.31 8	0.87 22	0.63 16
2.36 60	5/16 x 18	-	-	-	-	-	0.55 14	0.31 8
2.36 60	3/8 x 16	0.43 11	-	0.67 17	-	-	0.55 14	0.39 10
2.36 60	1/2 x 13	0.43 11	-	0.67 17	-	-	0.67 17	0.47 12
2.36 60	5/8 x 11	-	0.67 17	-	0.47 12	0.31 8	0.87 22	0.63 16
3.15 80	5/16 x 18	-	-	-	-	-	0.55 14	0.31 8
3.15 80	3/8 x 16	0.47 12	-	0.67 17	-	-	0.55 14	0.39 10
3.15 80	1/2 x 13	0.47 12	-	0.67 17	-	-	0.67 17	0.47 12
3.15 80	5/8 x 11	-	0.71 18	-	0.47 12	0.31 8	0.87 22	0.63 16
3.15 80	3/4 x 10	-	0.75 19	-	0.59 15	0.39 10	1.06 27	0.79 20

3.1

3.2

3.3

3.4

3.5

3.6

3.7

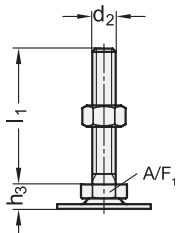
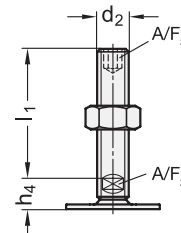
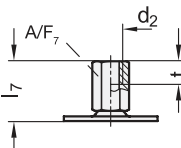
3.8

3.9

3.10



Stud / socket versions

 <p>S Without nut SK With nut</p>	 <p>U Without nut UK With nut</p>	 <p>X Tapped socket type</p>
<p>External hexagon at the bottom at d_2 3/8 x 16, 1/2 x 13 M 8, M 10, M 12</p>	<p>Internal hexagon at the top and wrench flat at the bottom at d_2 5/8 x 11, 3/4 x 10 M 16, M 20, M 24</p>	<p>External hexagon with tapped socket at d_2 5/16 x 18, 3/8 x 16, 1/2 x 13, 5/8 x 11, 3/4 x 10 M 8, M 10, M 12, M 16, M 20</p>

Metric table

d ₁	d ₂ Thread	l ₁ Version S / SK									l ₇ Version X	d ₃	h ₁	h ₆	m	s
		Version S / SK					Version U / UK									
40 1.57	M 8	40 1.57	50 1.97	63 2.48	-	-	-	-	-	-	25 0.98	5.4 0.21	2 0.08	3.5 0.14	30 1.18	1.5 0.06
40 1.57	M 10	50 1.97	60 2.36	80 3.15	100 3.94	-	-	-	-	-	28 1.10	5.4 0.21	2 0.08	3.5 0.14	30 1.18	1.5 0.06
40 1.57	M 12	60 2.36	80 3.15	100 3.94	125 4.92	-	-	-	-	-	31 1.22	5.4 0.21	2 0.08	3.5 0.14	30 1.18	1.5 0.06
40* 1.57	M 16	-	-	-	-	75 2.95	100 3.94	125 4.92	150 5.91	200 7.87	37 1.46	5.4 0.21	2 0.08	3.5 0.14	30 1.18	1.5 0.06
50 1.97	M 8	40 1.57	50 1.97	63 2.48	-	-	-	-	-	-	25 0.98	6.6 0.26	2.5 0.10	4 0.16	38 1.50	2 0.08
50 1.97	M 10	50 1.97	60 2.36	80 3.15	100 3.94	-	-	-	-	-	28 1.10	6.6 0.26	2.5 0.10	4 0.16	38 1.50	2 0.08
50 1.97	M 12	60 2.36	80 3.15	100 3.94	125 4.92	-	-	-	-	-	32 1.26	6.6 0.26	2.5 0.10	4 0.16	38 1.50	2 0.08
50 1.97	M 16	-	-	-	-	75 2.95	100 3.94	125 4.92	150 5.91	200 7.87	37 1.46	6.6 0.26	2.5 0.10	4 0.16	38 1.50	2 0.08
60 2.36	M 8	40 1.57	50 1.97	63 2.48	-	-	-	-	-	-	25 0.98	6.6 0.26	2.5 0.10	4.5 0.18	48 1.89	2 0.08
60 2.36	M 10	50 1.97	60 2.36	80 3.15	100 3.94	-	-	-	-	-	28 1.10	6.6 0.26	2.5 0.10	4.5 0.18	48 1.89	2 0.08
60 2.36	M 12	60 2.36	80 3.15	100 3.94	125 4.92	-	-	-	-	-	32 1.26	6.6 0.26	2.5 0.10	4.5 0.18	48 1.89	2 0.08
60 2.36	M 16	-	-	-	-	75 2.95	100 3.94	125 4.92	150 5.91	200 7.87	37 1.46	6.6 0.26	2.5 0.10	4.5 0.18	48 1.89	2 0.08
80 3.15	M 8	40 1.57	50 1.97	63 2.48	-	-	-	-	-	-	26 1.02	8.6 0.34	3 0.12	5 0.20	64 2.52	2 0.08
80 3.15	M 10	50 1.97	60 2.36	80 3.15	100 3.94	-	-	-	-	-	29 1.14	8.6 0.34	3 0.12	5 0.20	64 2.52	2 0.08
80 3.15	M 12	60 2.36	80 3.15	100 3.94	125 4.92	-	-	-	-	-	32 1.26	8.6 0.34	3 0.12	5 0.20	64 2.52	2 0.08
80 3.15	M 16	-	-	-	-	75 2.95	100 3.94	125 4.92	150 5.91	200 7.87	38 1.50	8.6 0.34	3 0.12	5 0.20	64 2.52	2 0.08
80 3.15	M 20	-	-	-	-	75 2.95	100 3.94	125 4.92	150 5.91	200 7.87	45 1.77	8.6 0.34	3 0.12	5 0.20	64 2.52	2 0.08
80 3.15	M 24	-	-	-	-	100 3.94	125 4.92	150 5.91	200 7.87	-	-	8.6 0.34	3 0.12	5 0.20	64 2.52	2 0.08

* Not available in type B0

d ₁	d ₂ Thread	h ₃	h ₄	A/F ₁	A/F ₂	A/F ₃	A/F ₇	t
40 1.57	M 8	11 0.43	-	17 0.67	-	-	14 0.55	8 0.31
40 1.57	M 10	11 0.43	-	17 0.67	-	-	14 0.55	10 0.39
40 1.57	M 12	11 0.43	-	17 0.67	-	-	17 0.67	12 0.47
40 1.57	M 16	-	17 0.67	-	12 0.47	8 0.31	22 0.87	16 0.63
50 1.97	M 8	11 0.43	-	17 0.67	-	-	14 0.55	8 0.31
50 1.97	M 10	11 0.43	-	17 0.67	-	-	14 0.55	10 0.39
50 1.97	M 12	11 0.43	-	17 0.67	-	-	17 0.67	12 0.47
50 1.97	M 16	-	17 0.67	-	12 0.47	8 0.31	22 0.87	16 0.63
60 2.36	M 8	11 0.43	-	17 0.67	-	-	14 0.55	8 0.31
60 2.36	M 10	11 0.43	-	17 0.67	-	-	14 0.55	10 0.39
60 2.36	M 12	11 0.43	-	17 0.67	-	-	17 0.67	12 0.47
60 2.36	M 16	-	17 0.67	-	12 0.47	8 0.31	22 0.87	16 0.63
80 3.15	M 8	12 0.47	-	17 0.67	-	-	14 0.55	8 0.31
80 3.15	M 10	12 0.47	-	17 0.67	-	-	14 0.55	10 0.39
80 3.15	M 12	12 0.47	-	17 0.67	-	-	17 0.67	12 0.47
80 3.15	M 16	-	18 0.71	-	12 0.47	8 0.31	22 0.87	16 0.63
80 3.15	M 20	-	19 0.75	-	15 0.59	10 0.39	27 1.06	20 0.79
80 3.15	M 24	-	22 0.87	-	19 0.75	12 0.47	-	-

Specification

- Base
Steel, zinc plated, blue passivated finish
- Threaded stud / tapped socket / hexagon nut ISO 4032
Steel, zinc plated, blue passivated finish
- Rubber cap
Santoprene® (TPE) ≈ 80 shore A
- Clipped on
- Black
- Rubber pad
Perbunan® (NBR) 70 ±5 shore A
- Vulcanized, non-skid
- Black
- RoHS compliant

Information


GN 40 leveling feet are simple, economically priced components and can be used universally thanks to the wide range of possible combinations of the base and the adjusting spindle variants. The base with the rubber pad / cap protects sensitive surfaces and reduces lateral slippage. The type B0 can also be fastened to the mounting surface through two holes.

These leveling feet are supplied fully assembled and cannot be disassembled.

see also...

- Leveling Feet GN 42 (Steel, with Fixing Lug)
- Leveling Feet GN 41 (Stainless Steel AISI 304, without Fixing Lug)
- Leveling Feet GN 44 / GN 45 (Stainless Steel AISI 316, with / without Fixing Lug)
- Threaded Tube Ends EN 448 (Plastic)
- Threaded Tube Inserts GN 992 / GN 992.5 (Aluminum / Stainless Steel)

<p>How to order (Inch)</p>  <p>GN 40-40-3/8X16-75-A0-S</p>	1	Base diameter d ₁
	2	Thread d ₂
	3	Length l ₁ (Length l ₇)
	4	Type (Base)
	5	Version (Stud / Socket)

<p>How to order (Metric)</p>  <p>GN 40-80-M20-200-A3-U</p>	1	Base diameter d ₁
	2	Thread d ₂
	3	Length l ₁ (Length l ₇)
	4	Type (Base)
	5	Version (Stud / Socket)

3.1
3.2
3.3
3.4
3.5
3.6
3.7
3.8
3.9
3.10

