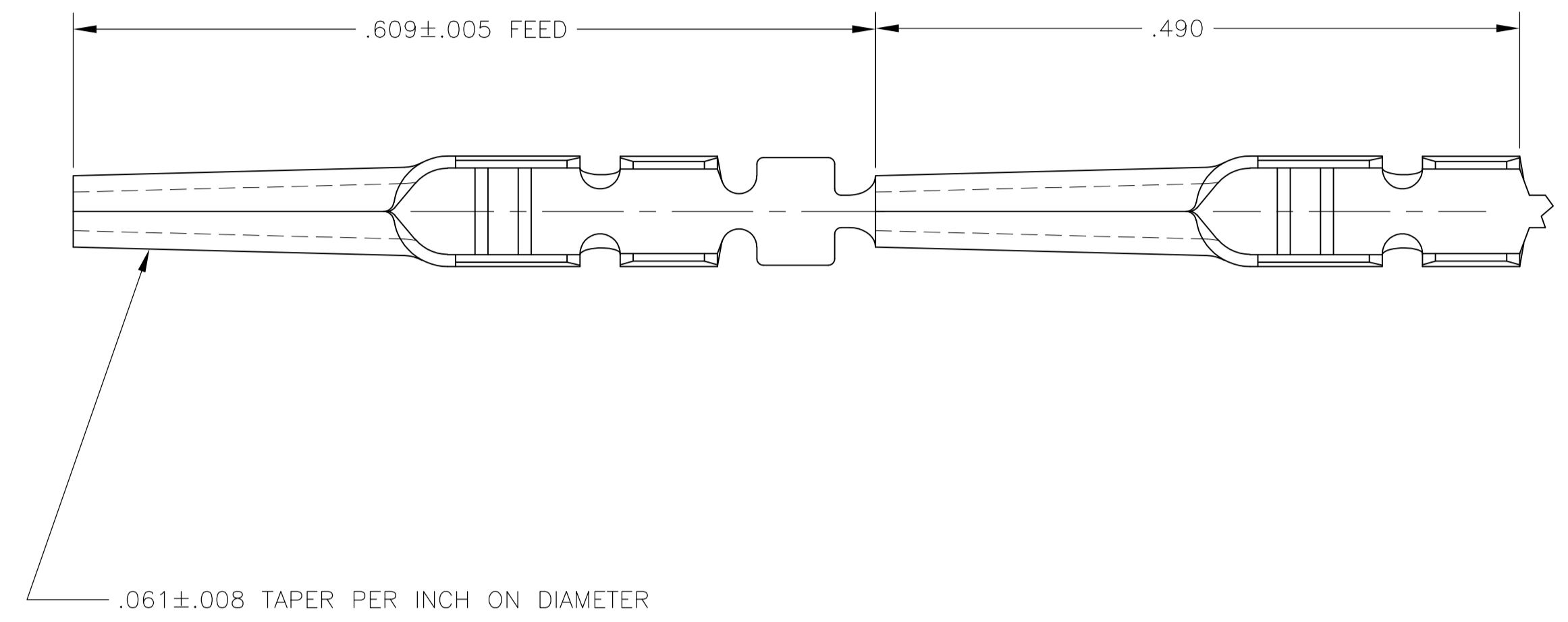
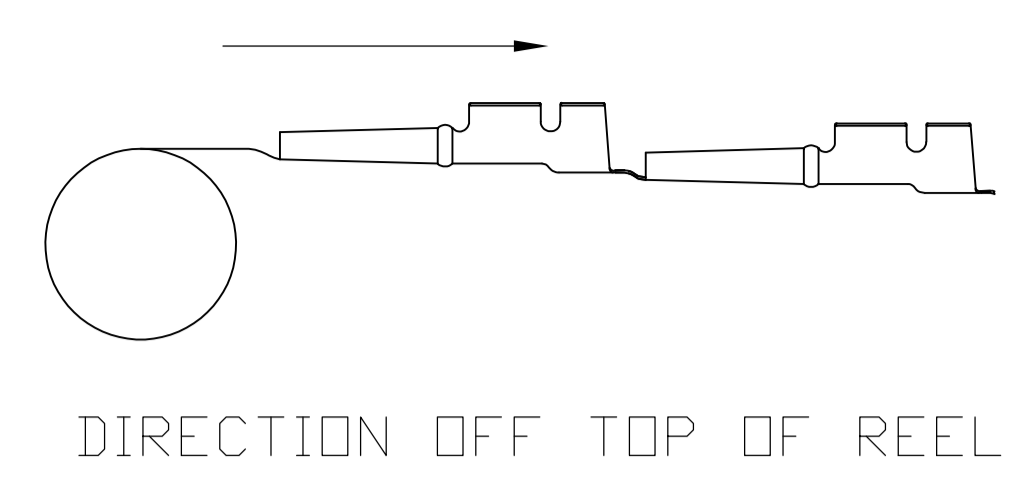
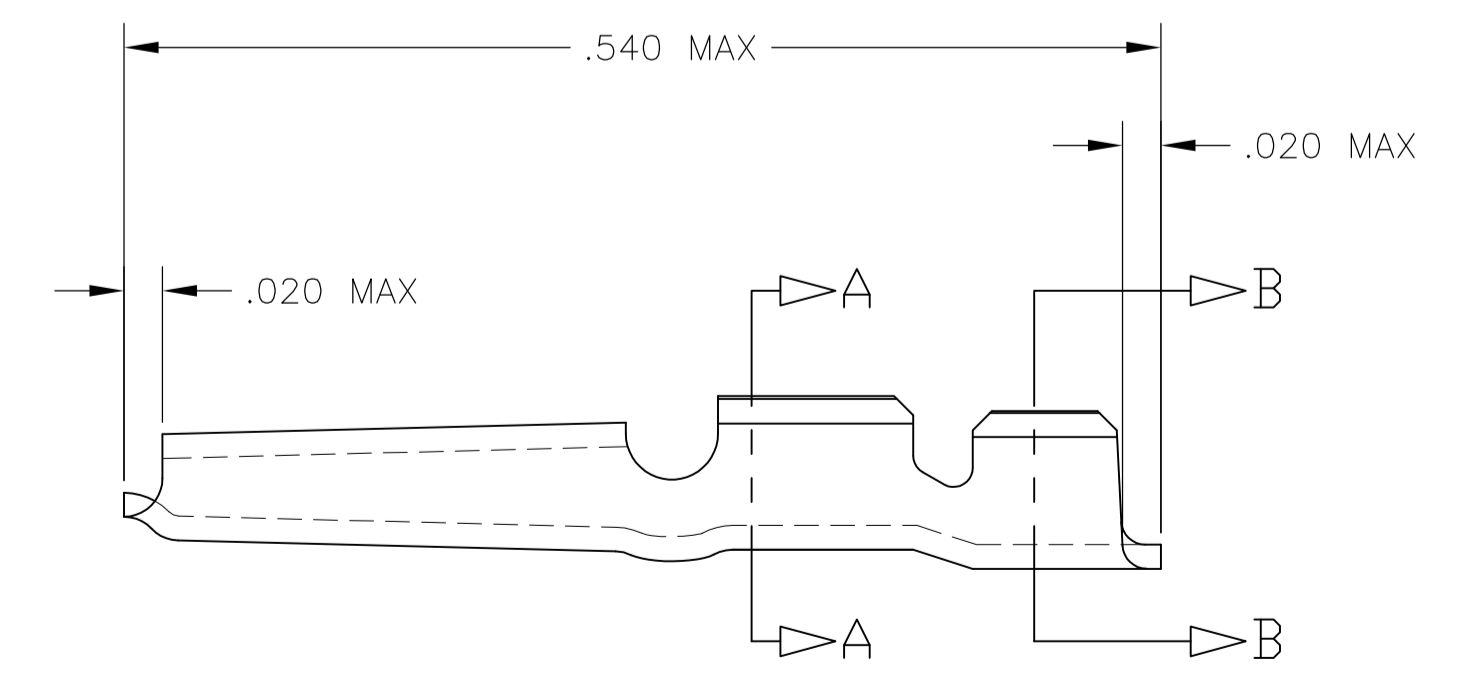
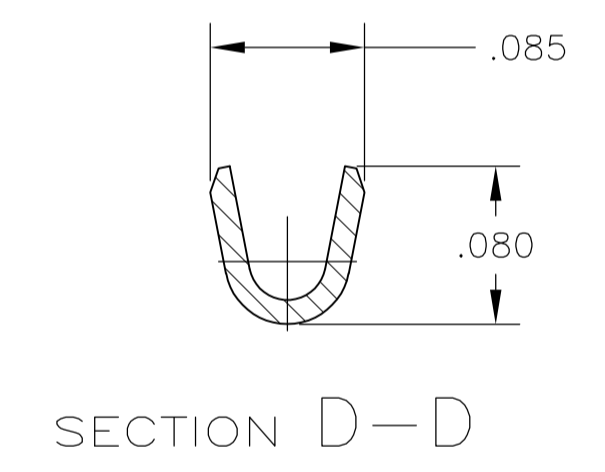
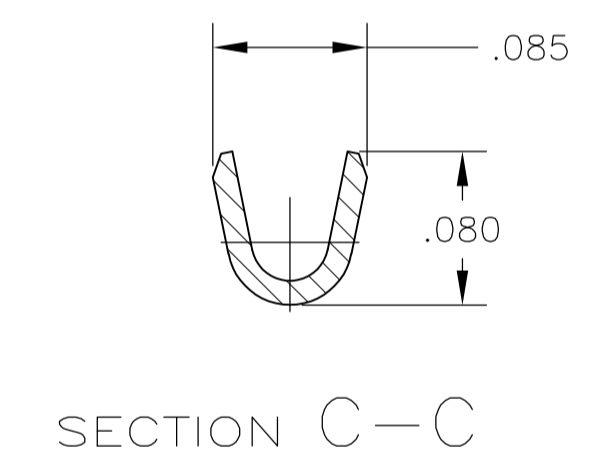
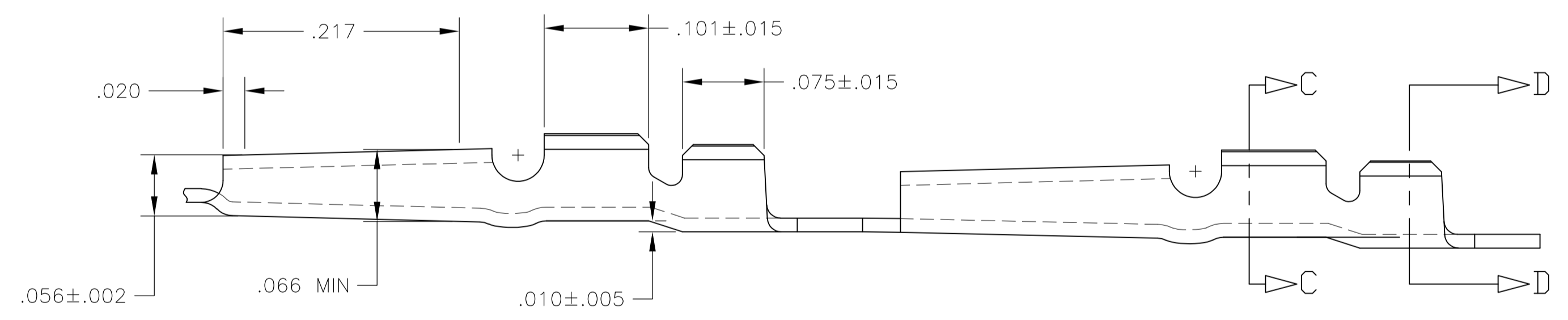


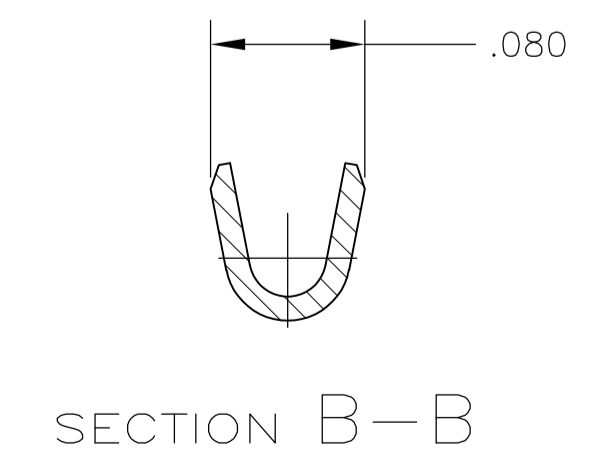
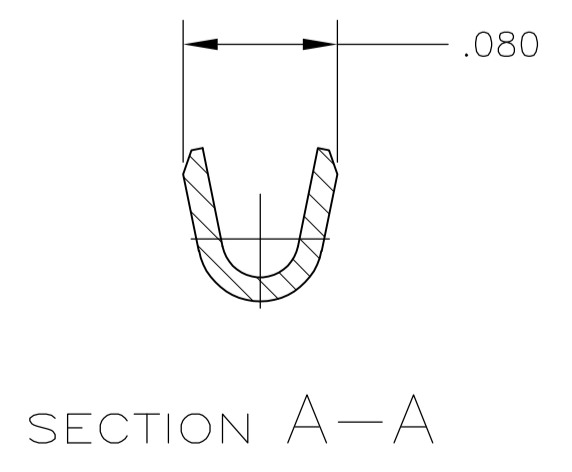
LOC		DIST		REVISIONS			
P	LTR	DESCRIPTION	DATE	DWN	APVD		
A		RELEASED	4-20-09	CT	JW		



STRIP



LOOSE PIECE



LOOSE PIECE	.040 - .055	24 - 22	MATTE-TIN OVER NICKEL	1757299-2
ON REEL	.040 - .055	24 - 22	MATTE-TIN OVER NICKEL	1757299-1
NOTES	INSULATION SIZE	WIRE SIZE	FINISH	PART NO.

THIS DRAWING IS A CONTROLLED DOCUMENT.

DIMENSIONS: INCHES	TOLERANCES UNLESS OTHERWISE SPECIFIED:	DIN C.C.THOMAS 4-20-09	Tyco Electronics Corporation Harrisburg, PA 17105-3608
0 PLC ± - 1 PLC ± - 2 PLC ± - 3 PLC ± .010 4 PLC ± - ANGLES ± -	SEE TABLE	CJK J.WEAVER 4-20-09 APVD J.WEAVER 4-20-09 PRODUCT SPEC APPLICATION SPEC	
MATERIAL: BRASS #260; HARD	FINISH: SEE TABLE	WEIGHT: -	NAME: TAPER PIN, 53 SERIES WITH INSULATION SUPPORT WIRE RANGE 22 - 24, INSULATION RANGE .040-.055 SIZE: A1 CAGE CODE: 00779 DRAWING NO: 1757299 RESTRICTED TO: - CUSTOMER DRAWING

SCALE 10:1 SHEET 1 OF 1 REV A