

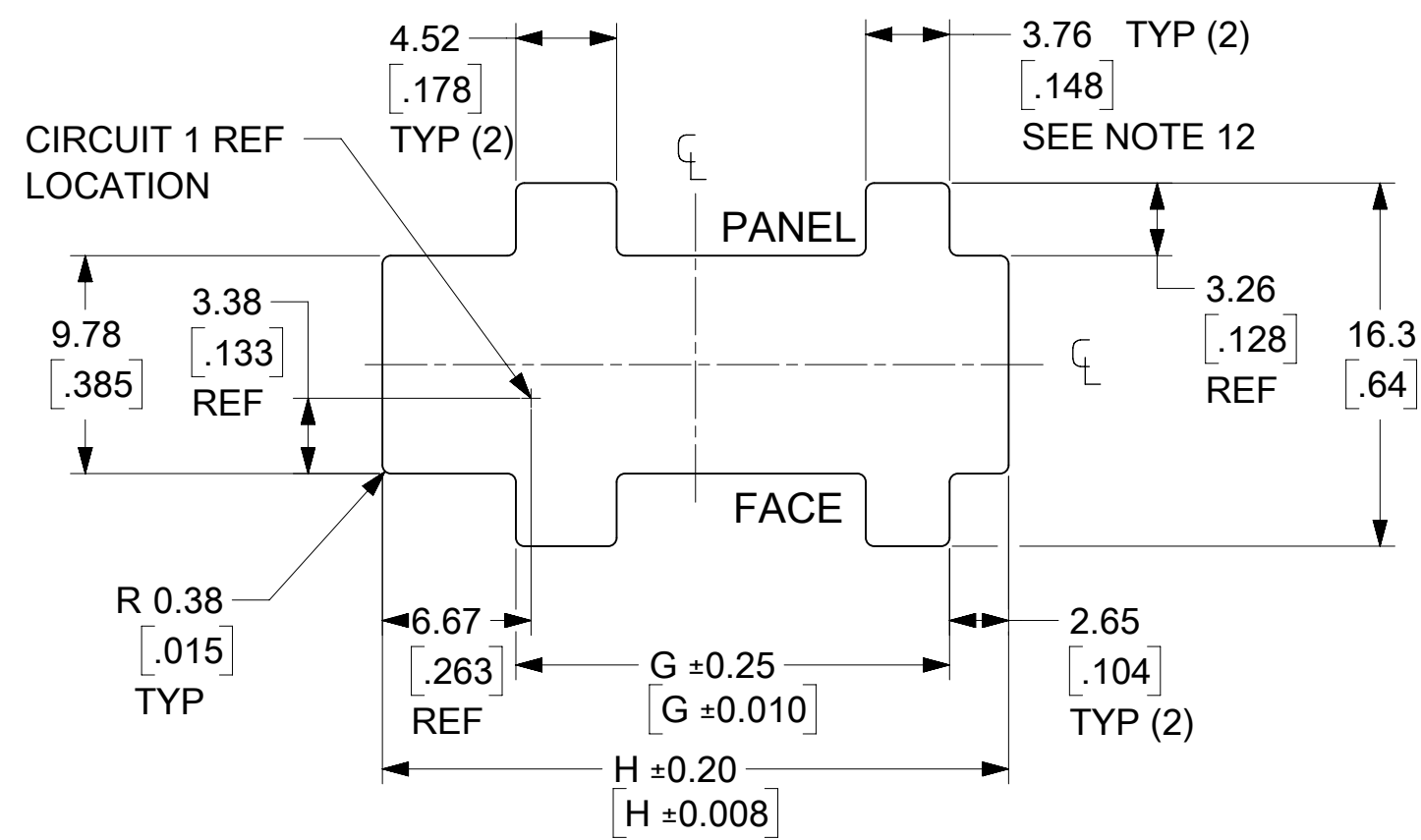
CIRCUIT SIZE	MATERIAL NUMBER	DIM "A"	DIM "B"
4	44133-0408	$\frac{24.6}{.97}$	$\frac{3.00}{.118}$
6	44133-0608	$\frac{27.7}{1.09}$	$\frac{6.00}{.236}$
8	44133-0808	$\frac{30.7}{1.21}$	$\frac{9.00}{.354}$
10	44133-1008	$\frac{33.8}{1.33}$	$\frac{12.00}{.472}$
12	44133-1208	$\frac{36.8}{1.45}$	$\frac{15.00}{.591}$
14	44133-1408	$\frac{39.8}{1.57}$	$\frac{18.00}{.709}$
16	44133-1608	$\frac{42.8}{1.69}$	$\frac{21.00}{.827}$
18	44133-1808	$\frac{45.8}{1.80}$	$\frac{24.00}{.945}$
20		$\frac{48.8}{1.92}$	$\frac{27.00}{1.063}$
22		$\frac{51.8}{2.04}$	$\frac{30.00}{1.181}$
24		$\frac{54.8}{2.16}$	$\frac{33.00}{1.299}$

- NOTES:
1. MATERIAL: UNFILLED NYLON, UL94V-0, COLOR: BLACK
 2. FINISH: N/A
 3. PRODUCT SPECIFICATION: PS-44300-001
 4. PACKAGING SPECIFICATION: TRAY PACKED PER PK-44133-002
 5. THIS RECEPTACLE MATES WITH MOLEX BMI PLUG 44300, MOLEX BMI VERTICAL PCB HEADER 44432, MOLEX BMI RIGHT ANGLE PCB HEADER 44428, & MOLEX BMI CPI VERTICAL PCB HEADER 45280.
 6. THIS RECEPTACLE TO BE USED WITH MOLEX FEMALE CRIMP TERMINALS ONLY (SERIES 43030, 45773, OR 46235). SEE SECTION "A"- "A" FOR TERMINAL ORIENTATION IN HOUSING.
 7. THIS RECEPTACLE IS DESIGNED FOR USE WITH 1.52/.060 MAX. TO 1.27/.050 MINIMUM THICK PANELS.
 8. DIMENSIONS GIVEN ACROSS CENTERLINES ARE SYMMETRICAL ABOUT THOSE CENTERLINES WITHIN THE TOTAL TOLERANCE.
 9. WHEN MATING WITH 44300 SERIES, THE PANEL CUT-OUT CENTERLINES OF DIM "H" AND 9.78/.385 MUST ALIGN WITH POINT "M" DEFINED BY MOLEX DRAWING SD-44300-001.
 10. MOLEX RECOMMENDS THE USE OF MICRO-FIT TEST PLUG (SERIES 44242) WHENEVER CONTINUITY TESTING IS PERFORMED. TEST PLUGS MUST NOT BE USED TO MAKE OR BREAK UNDER LOAD. MOLEX DOES NOT RECOMMEND USING STANDARD MATING COMPONENTS (SERIES 44428, 44432, 44300 OR 45280) FOR HARNESS TESTING PURPOSES.
 11. THIS PART CONFORMS TO CLASS 'B' REQUIREMENTS OF COSMETIC SPECIFICATION PS-45499-002. HOUSINGS MAY EXHIBIT A SURFACE IMPERFECTION KNOW AS "SINK MARKS" UP TO (0.60)/.024 MAX. THIS IS A COSMETIC DEFECT AND DOES NOT AFFECT FUNCTION OF THE CONNECTOR.
 12. THE WIDTH OF THE NARROW SLOTS SHOULD BE 2.90-3.28/.114-.129 (MIN-MAX) IF KEYING OF THE CONNECTOR TO THE CUT-OUT IS DESIRED.

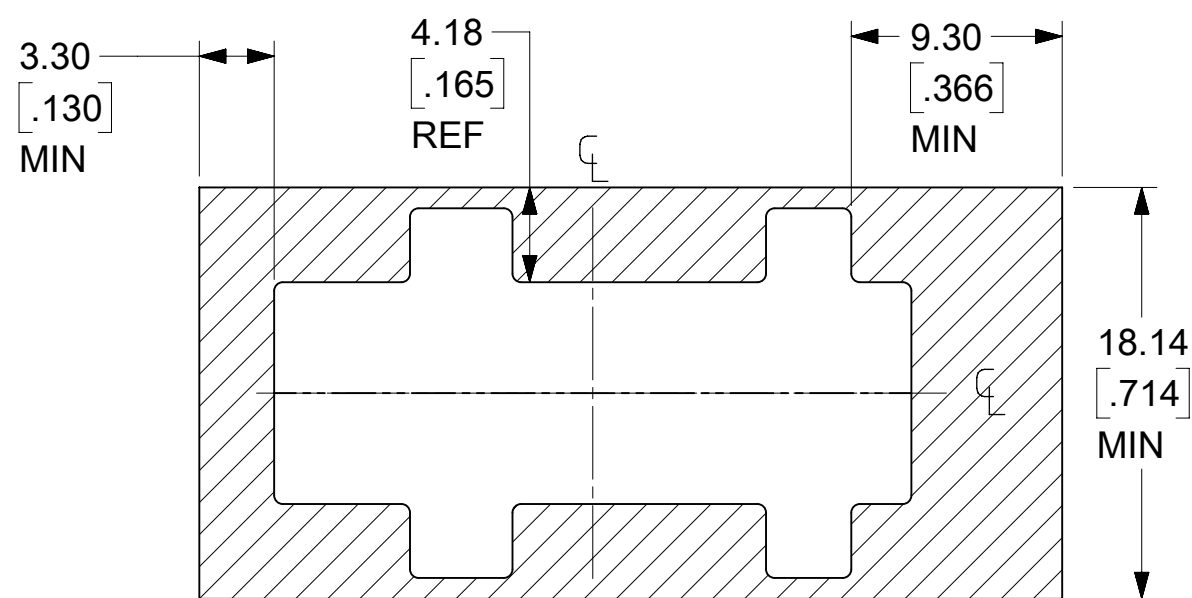
FUNCTIONAL SYMBOLS	THIS DRAWING CONTAINS INFORMATION THAT IS PROPRIETARY TO MOLEX ELECTRONIC TECHNOLOGIES, LLC AND SHOULD NOT BE USED WITHOUT WRITTEN PERMISSION		CURRENT REV DESC: ADD KEEPOUT AREA	
	DIMENSION UNITS	SCALE		
$\frac{F}{A} = 0$	MM/INCH	NTS		
$\frac{F}{C} = 0$	GENERAL TOLERANCES (UNLESS SPECIFIED)			
$\frac{F}{P} = 0$		MM	INCH	
DIVISIONAL SYMBOLS	4 PLACES	±	±	
	3 PLACES	±	± 0.01	
	2 PLACES	± 0.25	± 0.014	
	1 PLACE	± 0.35	±	
	0 PLACES	±	±	
	ANGULAR TOL	± 0.5 °		
DRAFT WHERE APPLICABLE MUST REMAIN WITHIN DIMENSIONS		THIRD ANGLE PROJECTION	DRAWING	SERIES
			C-SIZE	44133

EC NO: 660931		2021/04/09	
DRWN: MKIPPER		2021/07/16	
CHK'D: JEHRISMAN		2021/07/19	
APPR: FSMITH			
INITIAL REVISION:			
DRWN: GAVERILL		2008/08/11	
APPR: FSMITH		2008/08/22	

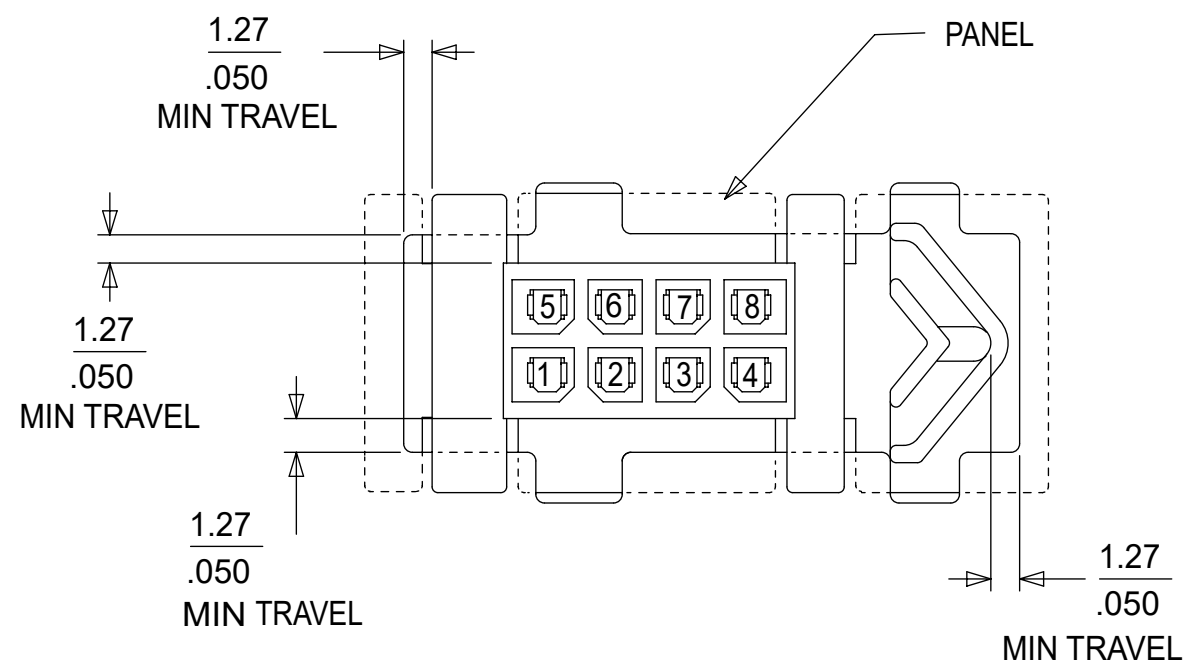
DOCUMENT NUMBER		DOC TYPE	DOC PART	REVISION
SD-44133-003		PSD	001	B5
MATERIAL NUMBER	CUSTOMER	SHEET NUMBER		
	GENERAL MARKET	1 OF 2		



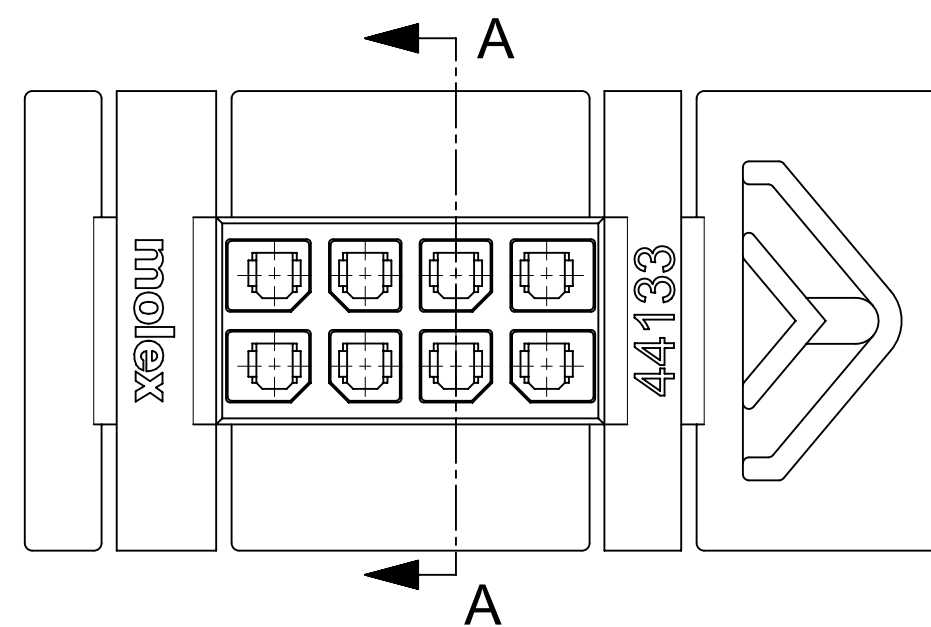
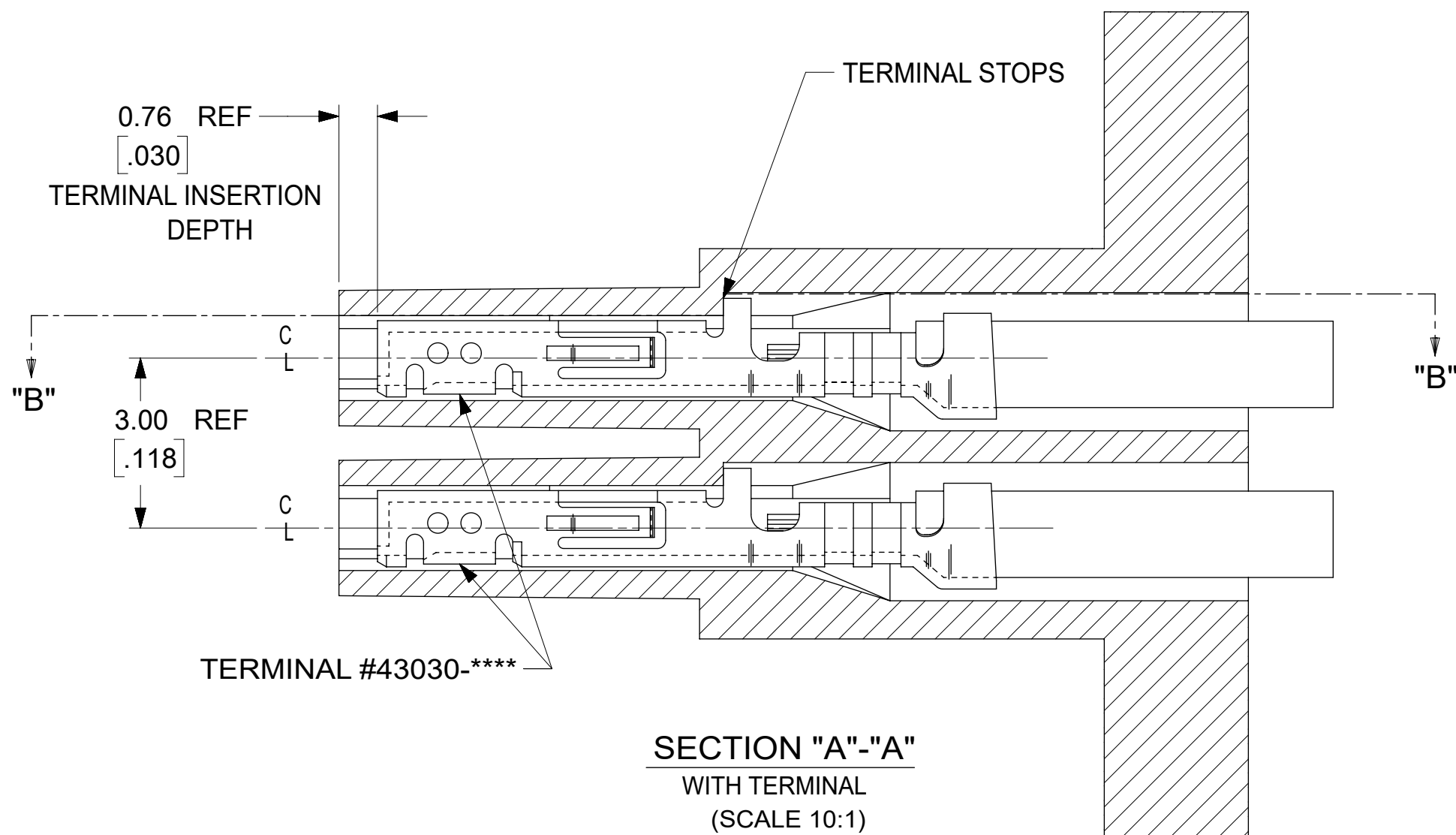
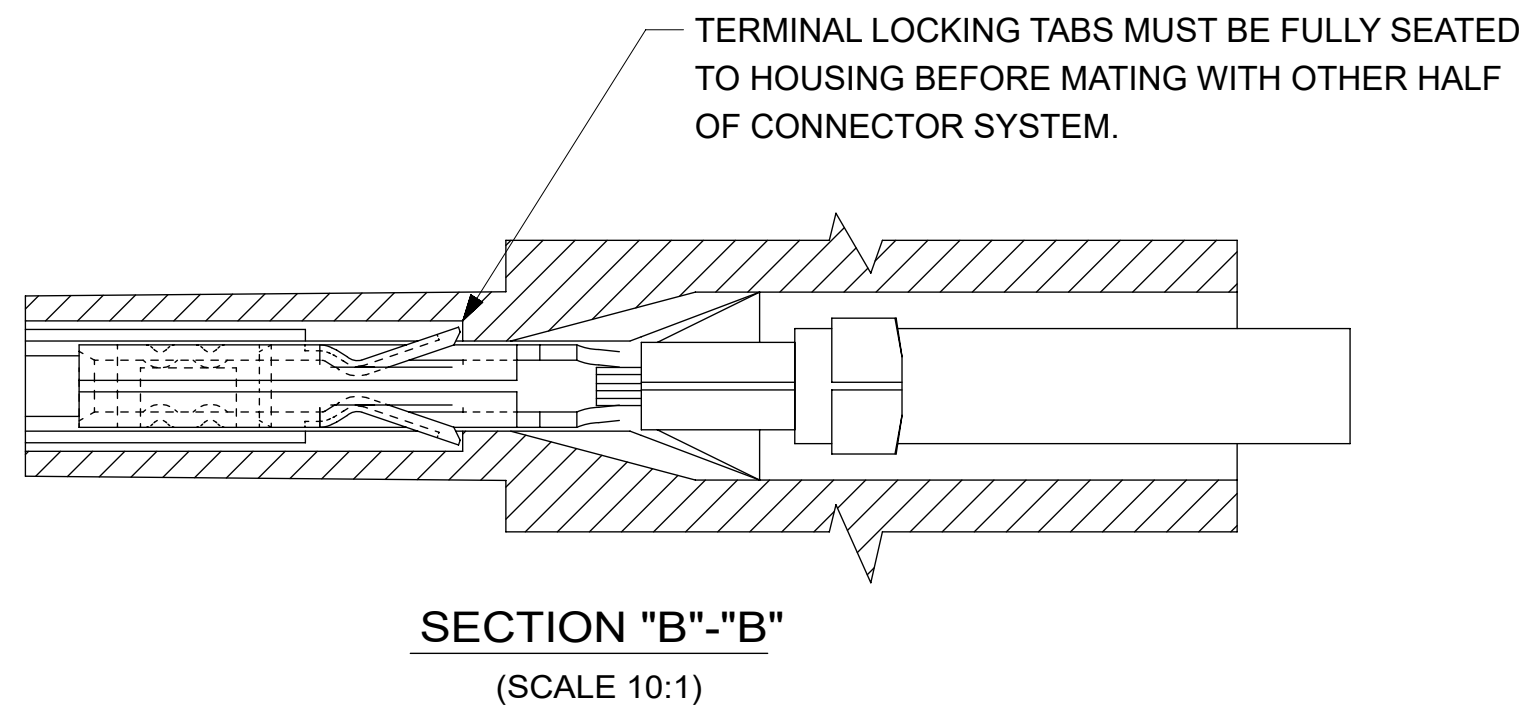
RECOMMENDED PANEL CUTOUT
(SEE NOTES 7, 9, AND 12)



KEEPOUT AREA



RECEPTACLE SHOWN MOUNTED IN PANEL



CIRCUIT SIZE	DIM "G"	DIM "H"
4	13.46 .530	22.10 .870
6	16.46 .648	25.10 .988
8	19.46 .766	28.10 1.106
10	22.46 .884	31.10 1.224
12	25.46 1.002	34.10 1.343
14	28.46 1.120	37.10 1.461
16	31.46 1.239	40.10 1.579
18	34.46 1.357	43.10 1.697
20	37.46 1.475	46.10 1.815
22	40.46 1.593	49.10 1.933
24	43.46 1.711	52.10 2.051

THIS DRAWING CONTAINS INFORMATION THAT IS PROPRIETARY TO MOLEX ELECTRONIC TECHNOLOGIES, LLC AND SHOULD NOT BE USED WITHOUT WRITTEN PERMISSION																															
FUNCTIONAL SYMBOLS	DIMENSION UNITS		SCALE		CURRENT REV DESC: ADD KEEPOUT AREA																										
$\frac{E}{A} = 0$	MM/INCH		NTS		<p>molex</p> <p>MICRO-FIT (3.0) BMI FLOATING PANEL RECEPTACLE, HALOGEN-FREE</p> <p>PRODUCT CUSTOMER DRAWING</p> <p>DOCUMENT NUMBER: SD-44133-003 DOC TYPE: PSD DOC PART: 001 REVISION: B5</p> <p>MATERIAL NUMBER: GENERAL MARKET CUSTOMER: GENERAL MARKET SHEET NUMBER: 2 OF 2</p>																										
$\frac{E}{C} = 0$	GENERAL TOLERANCES (UNLESS SPECIFIED)																														
$\frac{E}{P} = 0$	<table border="1"> <thead> <tr> <th></th> <th>MM</th> <th>INCH</th> </tr> </thead> <tbody> <tr> <td>4 PLACES</td> <td>±</td> <td>±</td> </tr> <tr> <td>3 PLACES</td> <td>±</td> <td>± 0.01</td> </tr> <tr> <td>2 PLACES</td> <td>± 0.25</td> <td>± 0.014</td> </tr> <tr> <td>1 PLACE</td> <td>± 0.35</td> <td>±</td> </tr> <tr> <td>0 PLACES</td> <td>±</td> <td>±</td> </tr> <tr> <td>ANGULAR TOL</td> <td colspan="2">± 0.5 °</td> </tr> </tbody> </table>											MM	INCH	4 PLACES	±	±	3 PLACES	±	± 0.01	2 PLACES	± 0.25	± 0.014	1 PLACE	± 0.35	±	0 PLACES	±	±	ANGULAR TOL	± 0.5 °	
	MM	INCH																													
4 PLACES	±	±																													
3 PLACES	±	± 0.01																													
2 PLACES	± 0.25	± 0.014																													
1 PLACE	± 0.35	±																													
0 PLACES	±	±																													
ANGULAR TOL	± 0.5 °																														
DIVISIONAL SYMBOLS	DRAFT WHERE APPLICABLE MUST REMAIN WITHIN DIMENSIONS																														
EC NO: 660931		DRWN: MKIPPER		2021/04/09		CHK'D: JEHRISMAN		2021/07/16		APPR: FSMITH		2021/07/19																			
INITIAL REVISION:		DRWN: GAVERILL		2008/08/11		APPR: FSMITH		2008/08/22		SERIES: 44133		DRAWING: C-SIZE																			