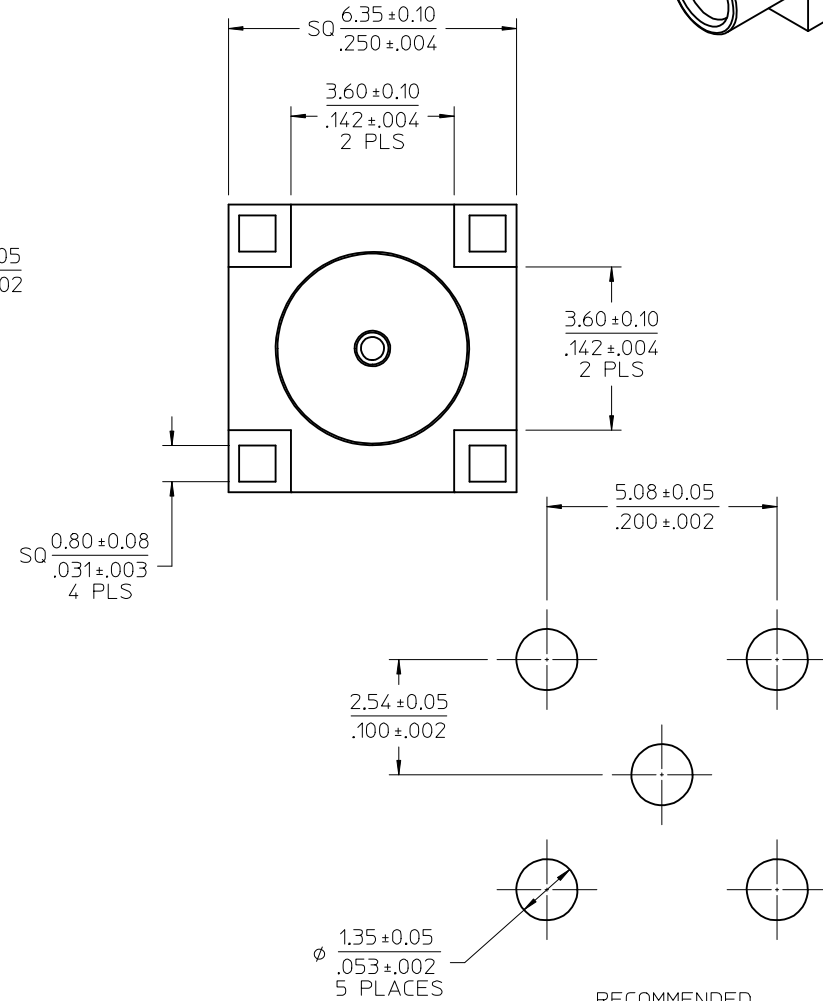
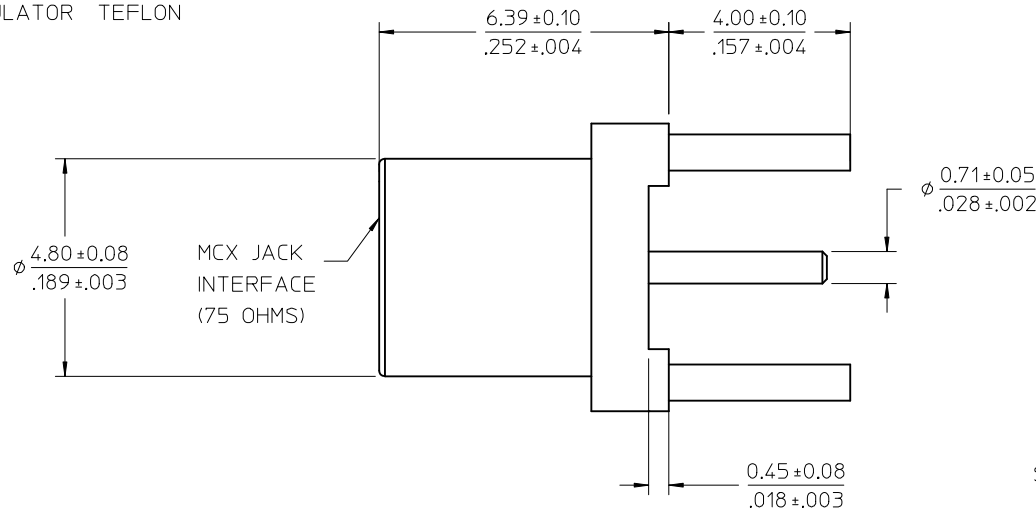
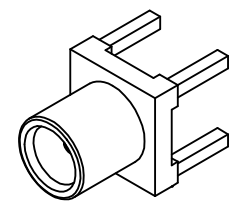


MATERIALS AND FINISHES

BODY BRASS
PLATED NICKEL

CENTER CONTACT BERYLLIUM COPPER
PLATED GOLD

INSULATOR TEFLON



PART # 73415-5940

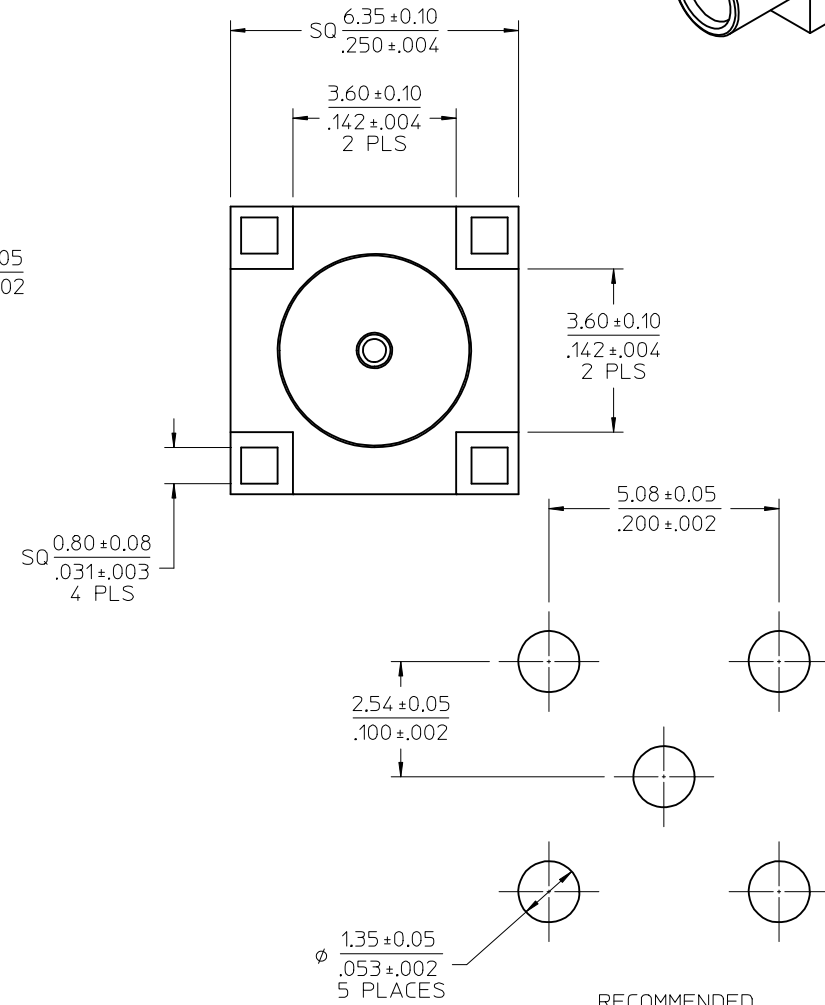
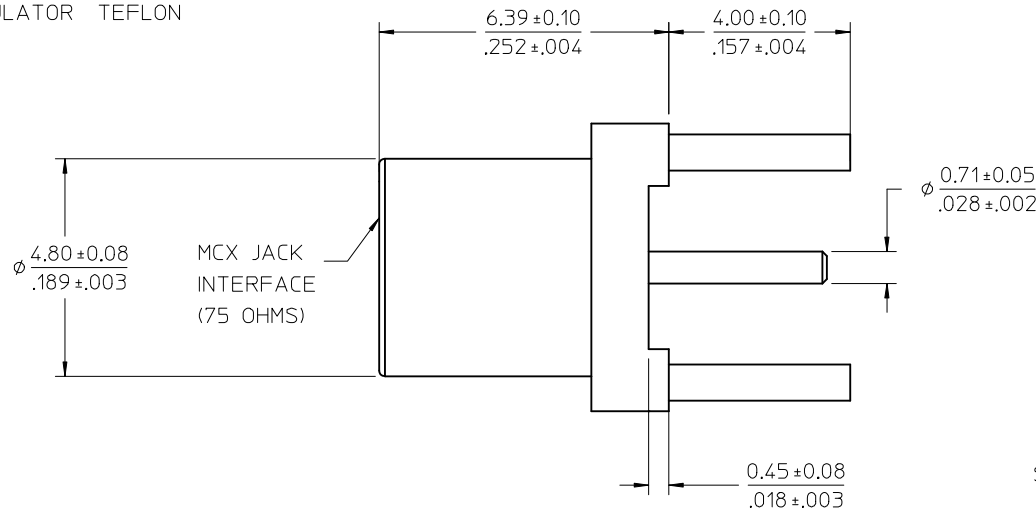
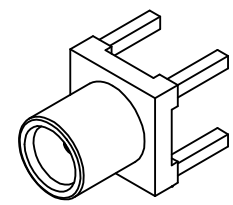
ADDED TOLERANCE PER RF15-E069	EC NO: URF2015-0233 DRWNLIN 2014/11/14 CHKD: APPR: YCHENG 2014/11/17	QUALITY SYMBOLS ▽=0 ▽=0	GENERAL TOLERANCES (UNLESS SPECIFIED)		DIMENSION STYLE MM/IN		SCALE METRIC	DESIGN UNITS METRIC		THIRD ANGLE PROJECTION			
				4 PLACES ± --- ± --- 3 PLACES ± --- ± --- 2 PLACES ± --- ± --- 1 PLACE ± --- ± ---	mm INCH ± --- ± --- ± --- ± --- ± --- ± ---	DRAWN BY JM	DATE 2006/06/26	TITLE MCX JACK, PCB VERTICAL, 75 OHMS EWR-3135, MCX-J/PCB					
				ANGULAR ± 2 °			CHECKED BY JM	DATE 2006/06/26	MOLEX INCORPORATED				
				DRAFT WHERE APPLICABLE MUST REMAIN WITHIN DIMENSIONS			APPROVED BY JDW	DATE 2006/06/26	MATERIAL NO. 734155940	DOCUMENT NO. SD-73415-594	SHEET NO. 1 OF 1		

MATERIALS AND FINISHES

BODY BRASS
PLATED NICKEL

CENTER CONTACT BERYLLIUM COPPER
PLATED GOLD

INSULATOR TEFLON



PART # 73415-5940

RECOMMENDED
PCB LAYOUT

ADDED TOLERANCE PER RF15-E069	EC NO: URF2015-0233 DRWNLIN 2014/11/14 CHKD: APPR: YCHENG 2014/11/17	REV: A1	DESCRIPTION	QUALITY SYMBOLS ▼=0 ▽=0	GENERAL TOLERANCES (UNLESS SPECIFIED)	DIMENSION STYLE MM/IN	SCALE METRIC	DESIGN UNITS METRIC	THIRD ANGLE PROJECTION
				ANGULAR ± 2°	DRAWN BY JM	DATE 2006/06/26	TITLE MCX JACK, PCB VERTICAL, 75 OHMS EWR-3135, MCX-J/PCB		
				DRAFT WHERE APPLICABLE MUST REMAIN WITHIN DIMENSIONS	CHECKED BY JM	DATE 2006/06/26	MOLEX MOLEX INCORPORATED		
				MATERIAL NO. 734155940	APPROVED BY JDW	DATE 2006/06/26	DOCUMENT NO. SD-73415-594		
				SIZE C	THIS DRAWING CONTAINS INFORMATION THAT IS PROPRIETARY TO MOLEX INCORPORATED AND SHOULD NOT BE USED WITHOUT WRITTEN PERMISSION				