

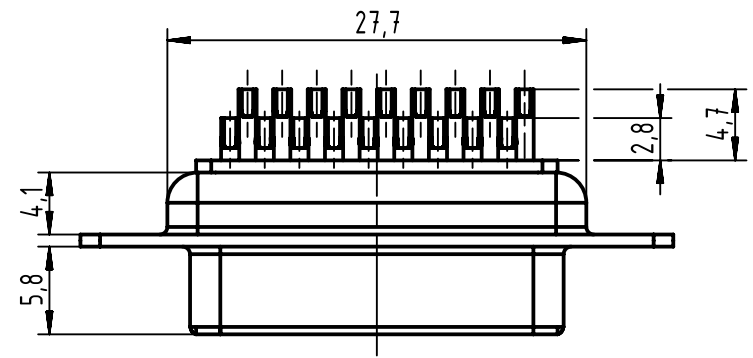
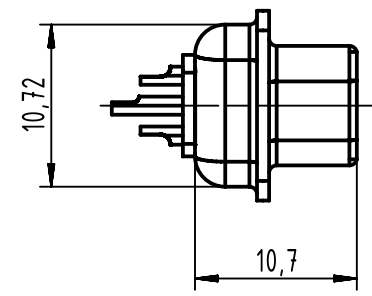
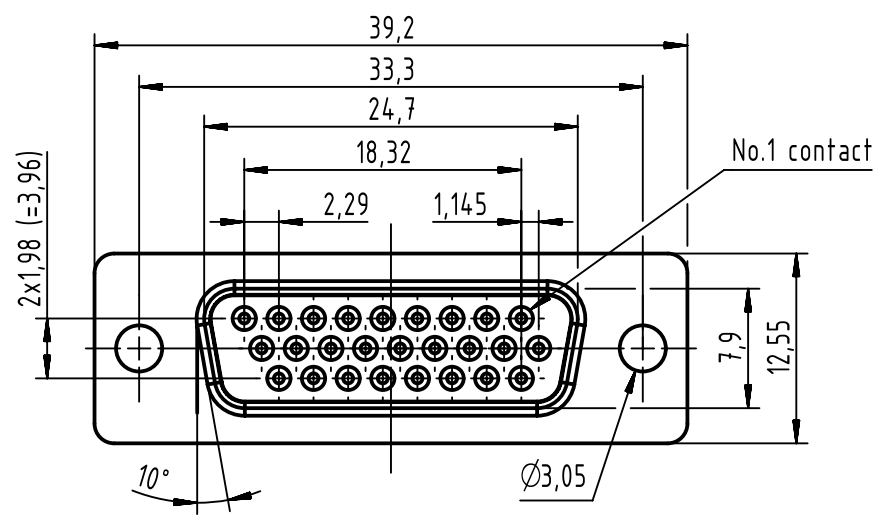
1 2 3 4 5 6

A


B

C

D



Entry hole type: stamped contact

	All rights reserved Department EC PD - CN	All Dimensions in mm Original Size DIN A4		Scale 2:1	Free size tol.	Ref. Sub.
		Created by ZHUANGJ	Inspected by LUOK	Standardisation SCHREIER	Date 2016-12-14	State Final Release
HARTING Electronics GmbH D-32339 Espelkamp		Title D-Sub HD 26-pole female straight solder cup				Doc-Key / ECM-Nr. 100513264/UGD/001/B 5000001124.10
0956 200 4715 050 Part number	S4 Performance level	Type TB	Number 09562004715050		Rev. B	Page 1/1