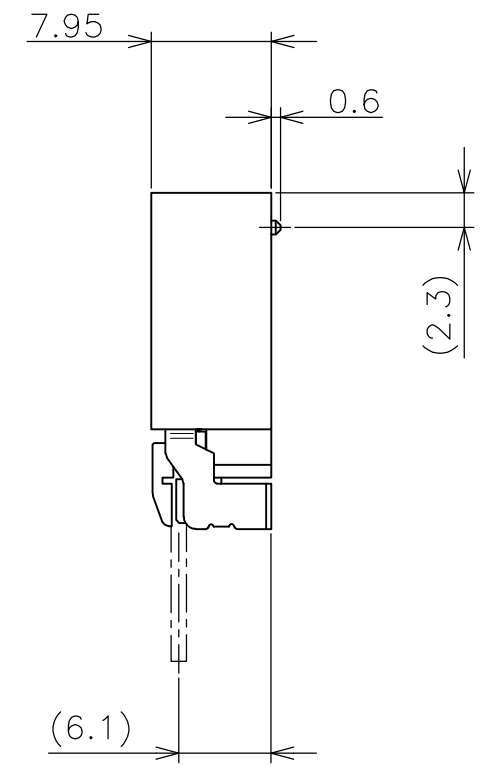
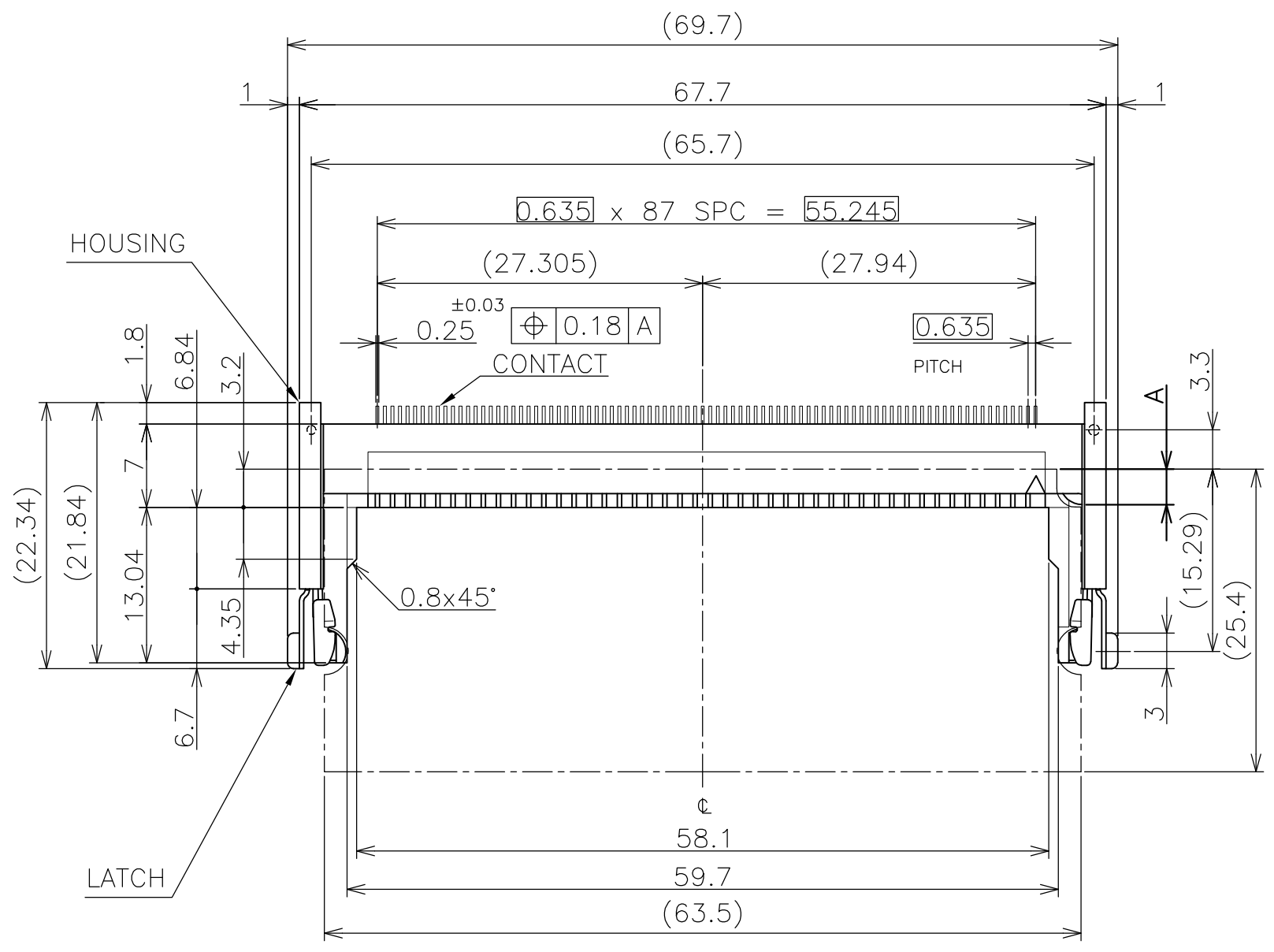
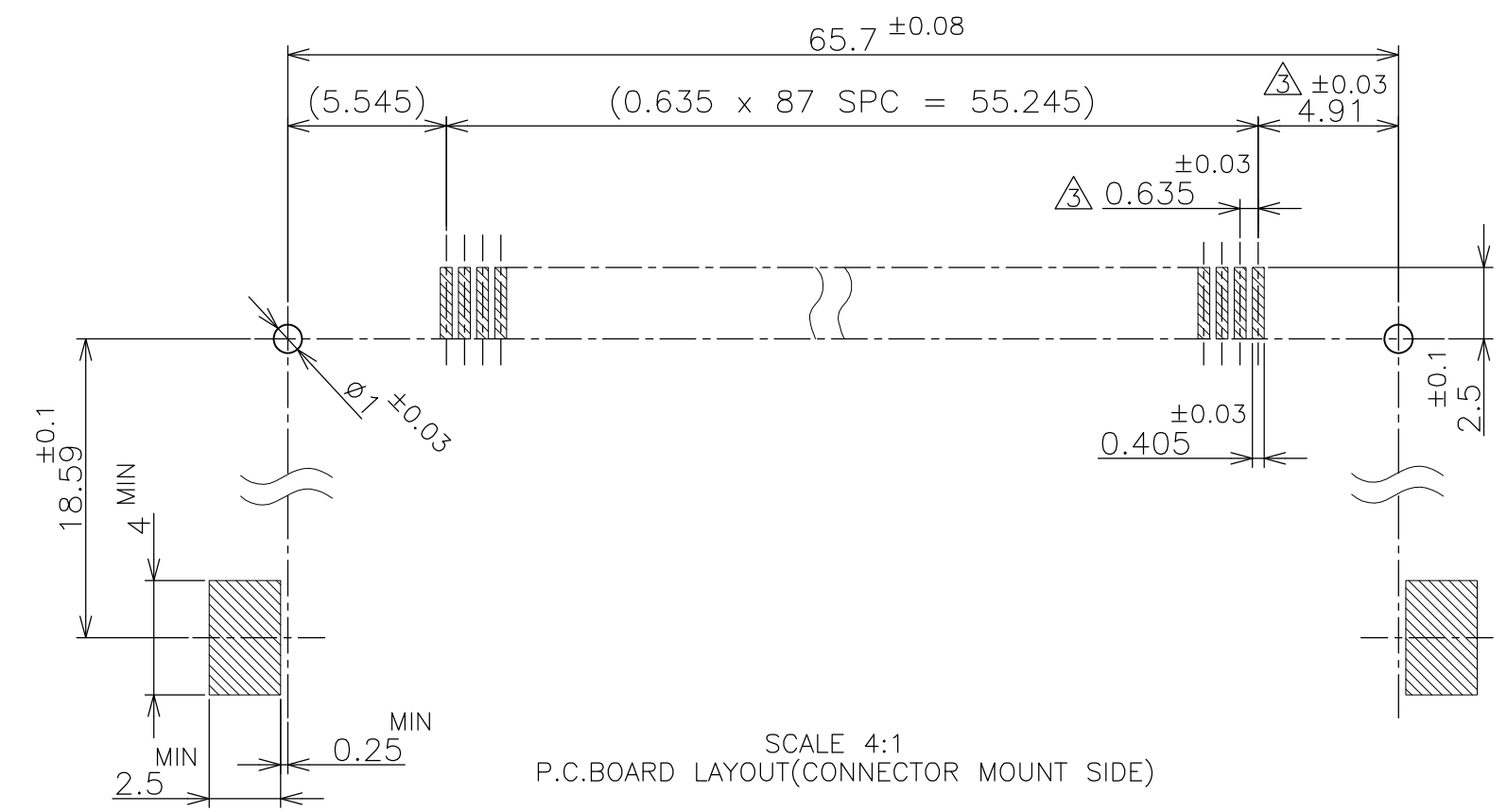
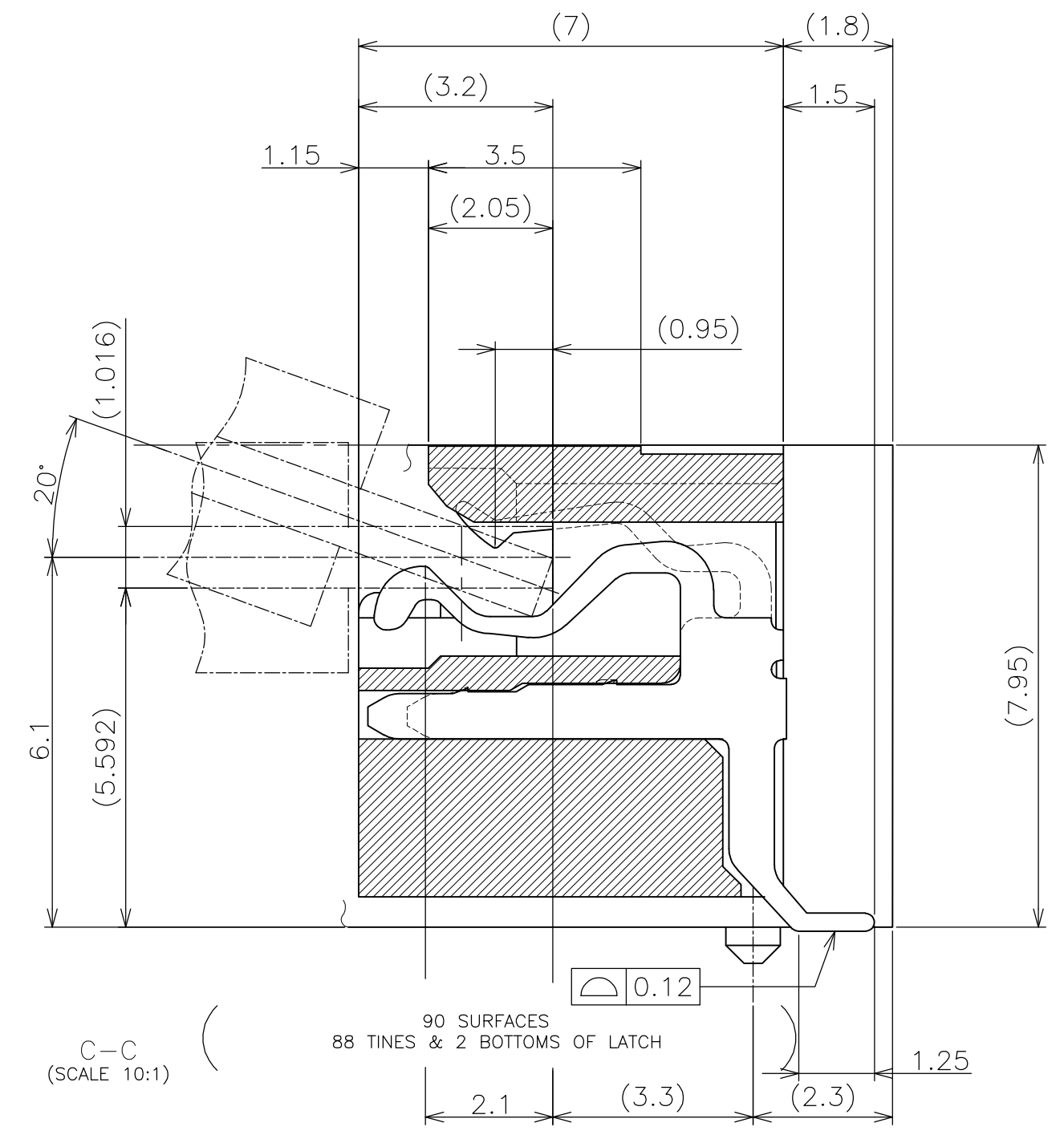
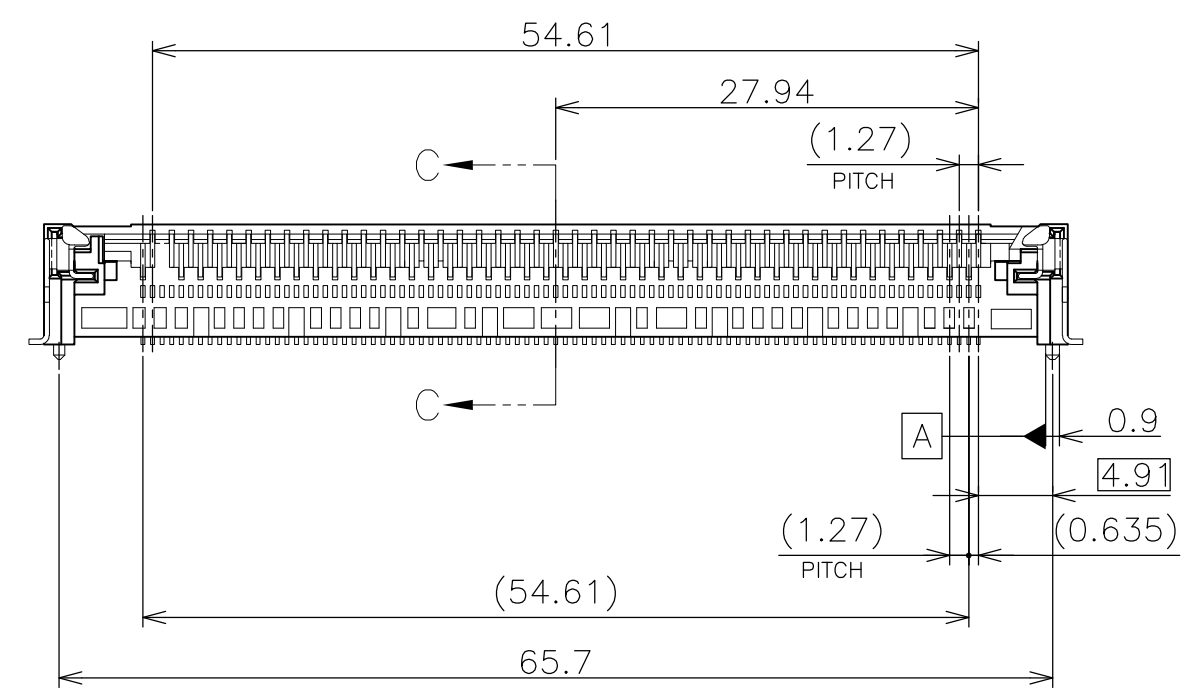


THIS DRAWING IS UNPUBLISHED. RELEASED FOR PUBLICATION MAY, 2001.
 © COPYRIGHT 2001 BY TYCO ELECTRONICS CORPORATION. ALL RIGHTS RESERVED.

LOC		DIST		REVISIONS			
P	LTR	DESCRIPTION		DATE	DWN	APVD	
	A1	REVISED	ECR-08-029319	19NOV08	T.F	K.I	
	A2	REVISED	PER ECO-09-024927	09NOV09	KK	AEG	



- MATERIAL & FINISH
 HOUSING : GLASS FILLED LCP
 CONTACT : COPPER ALLOY
 FINISH-SEE NOTES 2
 LATCH : STAINLESS STEEL. TIN PL.
 - CONTACT PLATING
 Au (0.0003) PL. AT CONTACT, TIN PL. AT
 TINE OVER Ni PL.
- ⚠ TOLERANCE : NON CUMULATIVE.
 ⚠ OBSOLETE PARTS: OBSOLETE CIS STREAMLINING PER D.RENAUD/D.SINISI



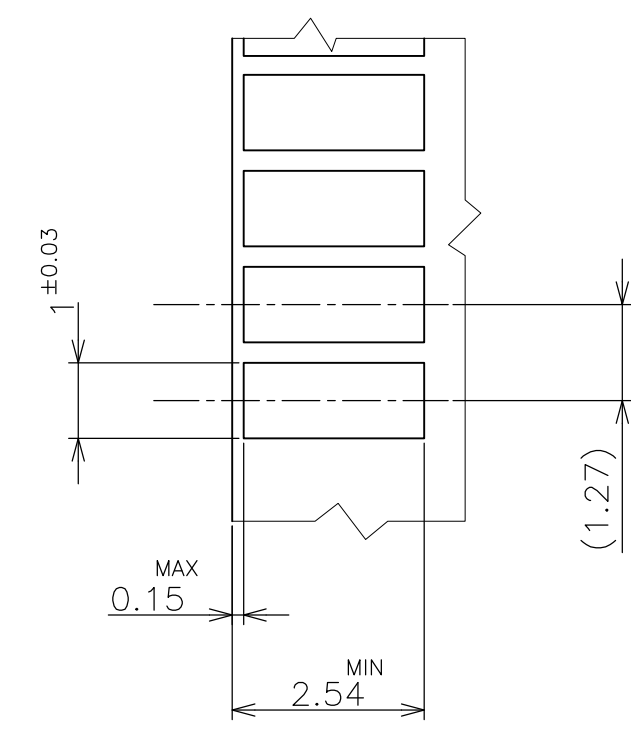
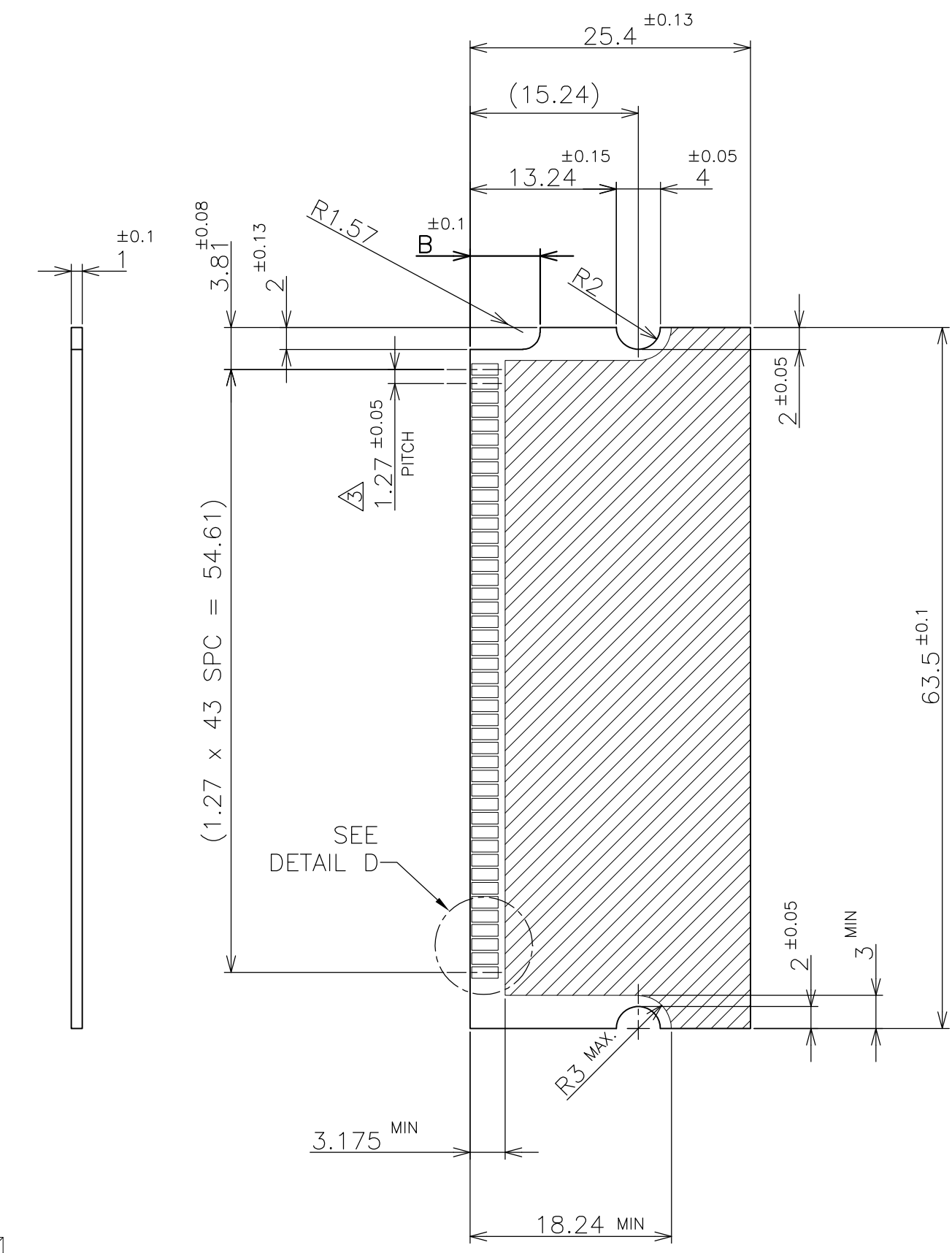
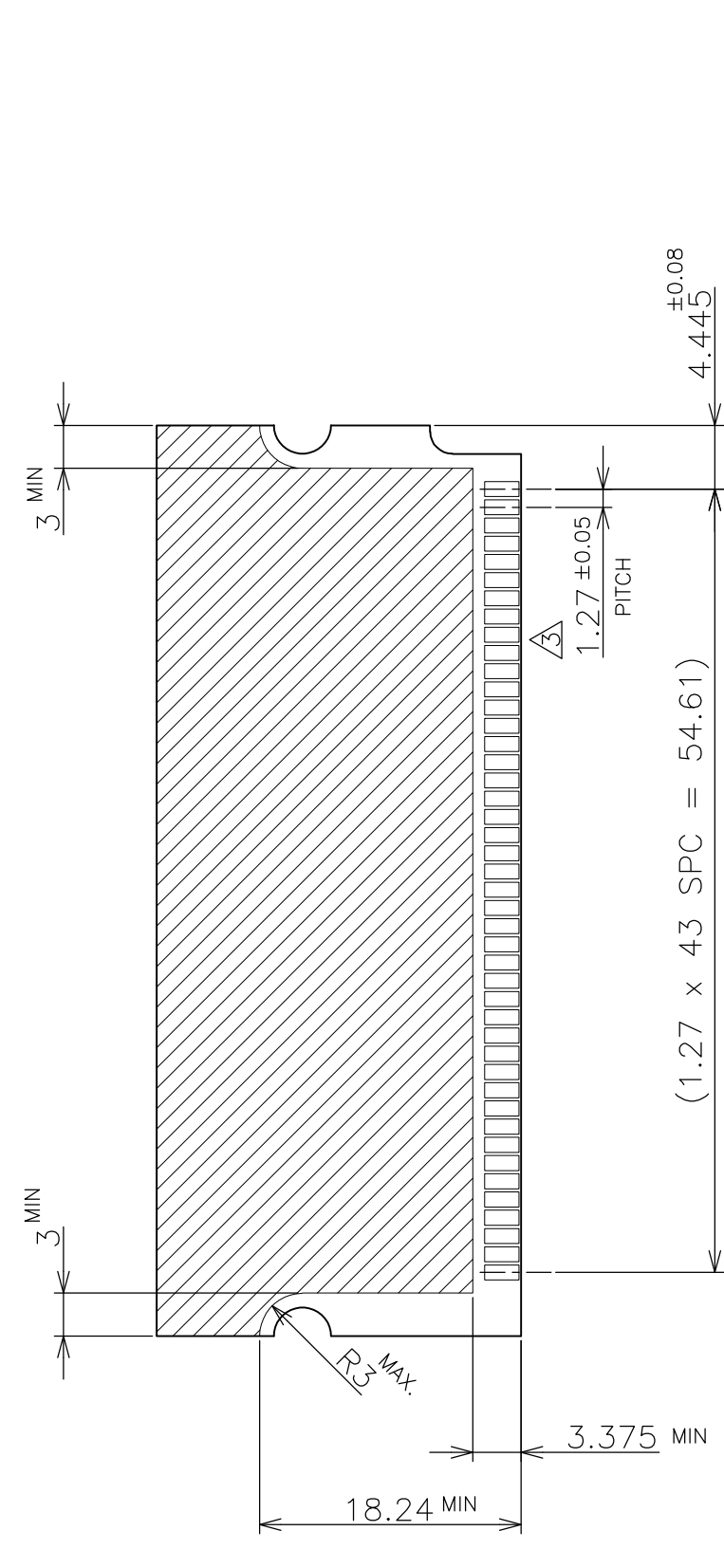
SCALE 4:1
 P.C.BOARD LAYOUT(CONNECTOR MOUNT SIDE)

GENERAL TOLERANCE
 10 ≥ : ±0.2
 30 ≥ > 10 : ±0.25
 100 ≥ > 30 : ±0.3
 ANGLES : ±3°

THIS DRAWING IS A CONTROLLED DOCUMENT.		DWN	LEO ZHOU	20APR05	Tyco Electronics Corporation Kawasaki, Japan			
DIMENSIONS: mm		CHK	STEVEN YAO	20APR05				
TOLERANCES UNLESS OTHERWISE SPECIFIED		APVD	IENOMOTO	20APR05				
0 PLC ± 1 PLC ± 2 PLC ± 3 PLC ± 4 PLC ± ANGLES ±		NAME	MIII SOCKET 88P HIGH PROFILE TYPE					
MATERIAL	SEE NOTES	FINISH	SEE NOTES	WEIGHT	SIZE	CAGE CODE	DRAWING NO	RESTRICTED TO
SEE NOTES		SEE NOTES		A2 00779		C=5316437		SCALE
CUSTOMER DRAWING				SCALE	2:1	SHEET	1 OF 2	REV
								A2

THIS DRAWING IS UNPUBLISHED. RELEASED FOR PUBLICATION MAY, 2001.
 © COPYRIGHT 2001 BY TYCO ELECTRONICS CORPORATION. ALL RIGHTS RESERVED.

REVISIONS				
P	LTR	DESCRIPTION	DATE	APVD
-	-	SEE SHEET 1	-	-



 COMPONENT AREA

(88 PIN SMALL OUTLINE DIMM)
 RECOMMENDED DIMENSIONS OF "88 PIN SMALL OUTLINE DIMM" P.C.BOARD

6.35	5.0V
3.18	3.3V
B	TYPE

THIS DRAWING IS A CONTROLLED DOCUMENT.		DWN	Tyco Electronics Corporation Kawasaki, Japan	
DIMENSIONS: mm		CHK	NAME	
TOLERANCES UNLESS OTHERWISE SPECIFIED:		APVD	MIII SOCKET 88P HIGH PROFILE TYPE	
0 PLC	±	PRODUCT SPEC	SIZE	CAGE CODE
1 PLC	±	APPLICATION SPEC	A2	00779
2 PLC	±	WEIGHT	DRAWING NO	
3 PLC	±	CUSTOMER DRAWING	C=5316437	
4 PLC	±	SCALE	2:1	SHEET 2 OF 2
ANGLES	±	REV	A2	

316437