

THIS DOCUMENT CONTAINS DATA PROPRIETARY TO PROJECTS UNLIMITED, INC. ANY USE OR REPRODUCTION, IN ANY FORM, WITHOUT PRIOR WRITTEN PERMISSION OF PROJECTS UNLIMITED, INC. IS PROHIBITED.

© 2005, Projects Unlimited Inc.

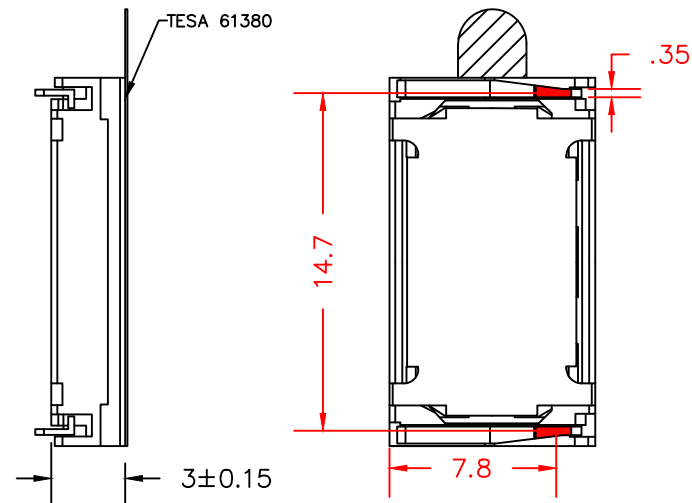
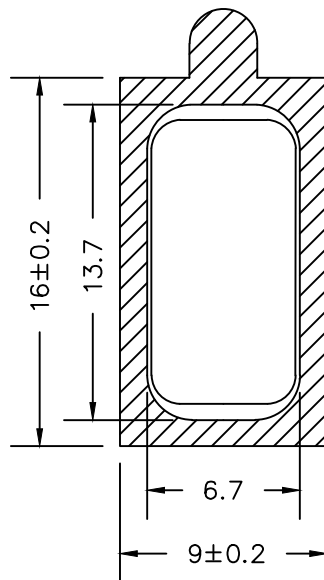
SPECIFICATIONS

| PARAMETERS | VALUES | UNITS |
|--|--------------|-------|
| RATED INPUT POWER | .94 | W |
| MAX INPUT POWER | 1.2 | W |
| IMPEDANCE | 6±20% | OHM |
| OUTPUT SPL @ 2.37Vrms/0.1M (2.0 kHz AVG., 1cc box) | 91±3 | dB |
| DISTORTION (MAX.) | 10% | — |
| RESONANT FREQUENCY | 850±20% | Hz |
| FREQUENCY RANGE | 500 ~ 20,000 | Hz |
| HOUSING MATERIAL | PPA | — |
| CONE MATERIAL | PEEK | — |
| MAGNET MATERIAL | NdFeB | — |
| OPERATING TEMPERATURE | -20 ~ +60 | °C |
| WEIGHT | 1.2 | grams |

REVISIONS

| LTR | DESCRIPTION | DATE | APPROVED |
|-----|---------------------------|---------|----------|
| — | RELEASED FROM ENGINEERING | 3/26/18 | |

*land pattern in red




NOTES:

- ALL DIMENSIONS ARE IN MILLIMETERS.
- SPECIFICATION SUBJECT TO CHANGE OR WITHDRAWAL WITHOUT NOTICE.
- 2-SIDED ADHESIVE: TESA 61380
- THIS PART IS RoHS 2011/65/EU COMPLIANT.
- THE FACE OF THIS PART CONFORMS TO IP67 WATERPROOF STANDARDS.

BASE SPEAKER:
AS01606MS-SC16-WP-R

FILE NAME
AS01606MS-SC16-WP-2-R.DWG

| | | | |
|---|------|--|--|
| <small>UNLESS OTHERWISE SPECIFIED: ALL PURCHASES ARE SUBJECT TO THE PUI AUDIO TERMS AND CONDITIONS SALE FOUND AT http://www.puiaudio.com/pdf/terms_conditions.pdf (paper copy available upon request).</small> | |  <p>pui audio inc a projects unlimited company</p> | 3541 Stop Eight Road Dayton, Ohio 45414 |
| <small>DIMENSIONS ARE IN MILLIMETERS. TOLERANCES ARE ±0.5 AND ANGLES ARE ±3°.</small> | | | |
| APPROVALS | | DATE | <h1>SPEAKER</h1> |
| DRAWN | M.L. | 3/18 | |
| CHECKED | M.L. | 3/18 | |
| APPROVED | B.R. | 3/18 | SIZE: A DRAWING NO.: AS01606MS-SC16-WP-2-R SCALE: N.T.S. |
| | | | SHEET 1 OF 1 |