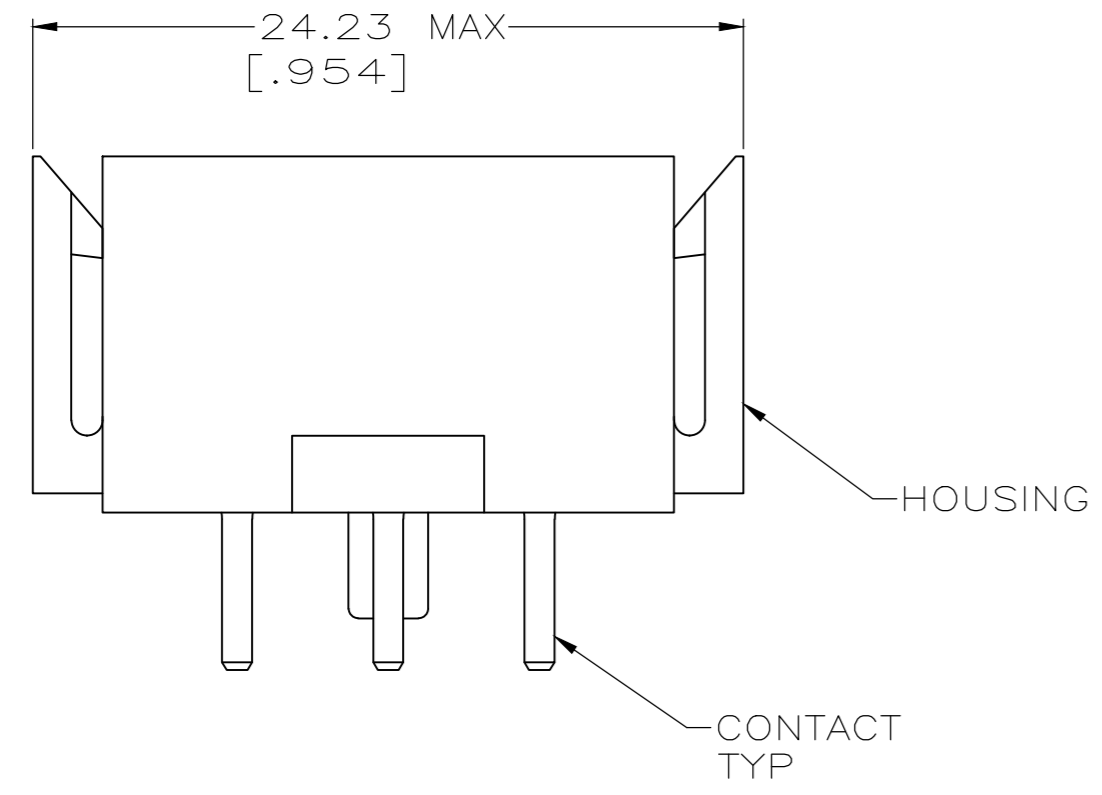
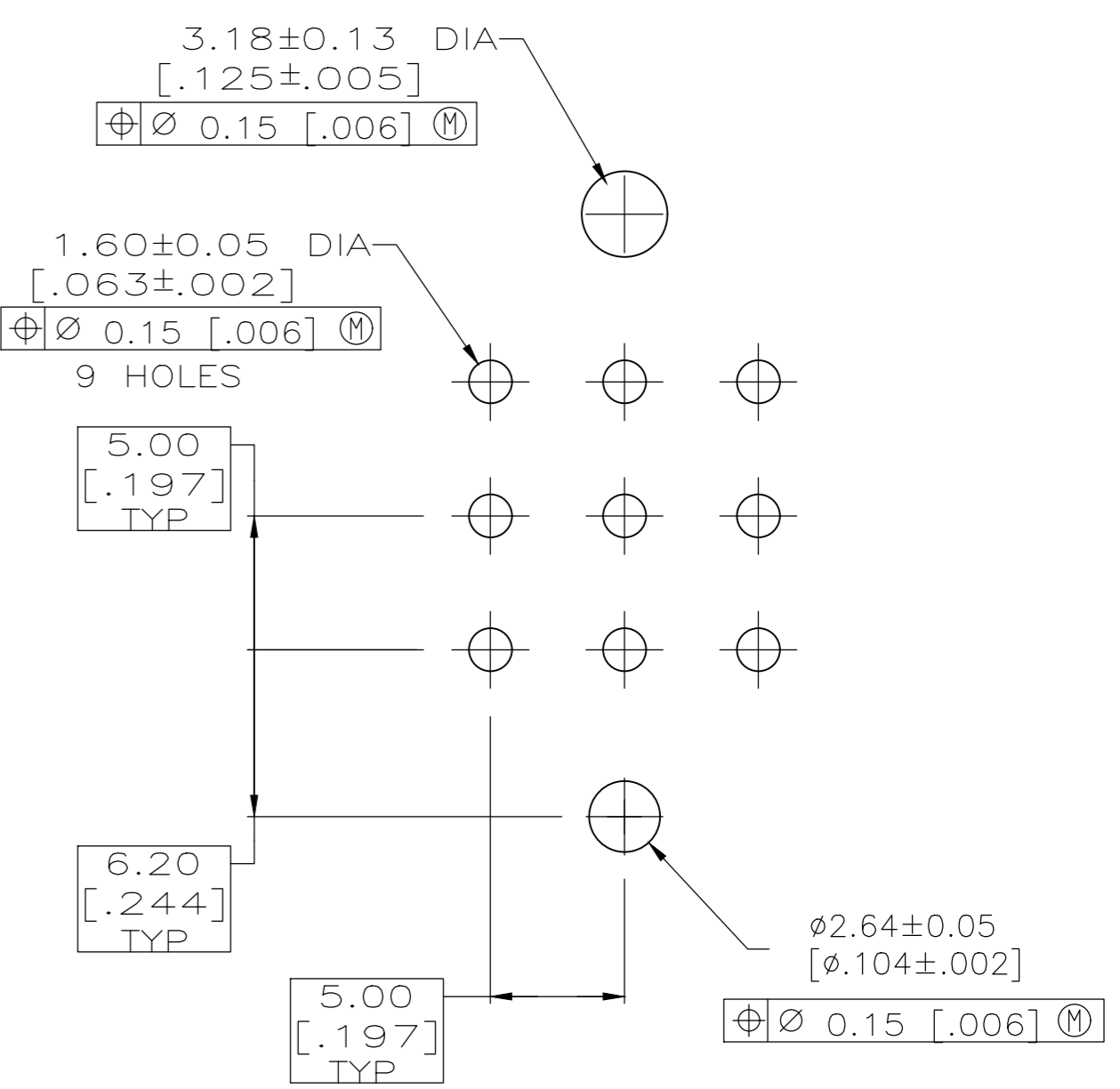
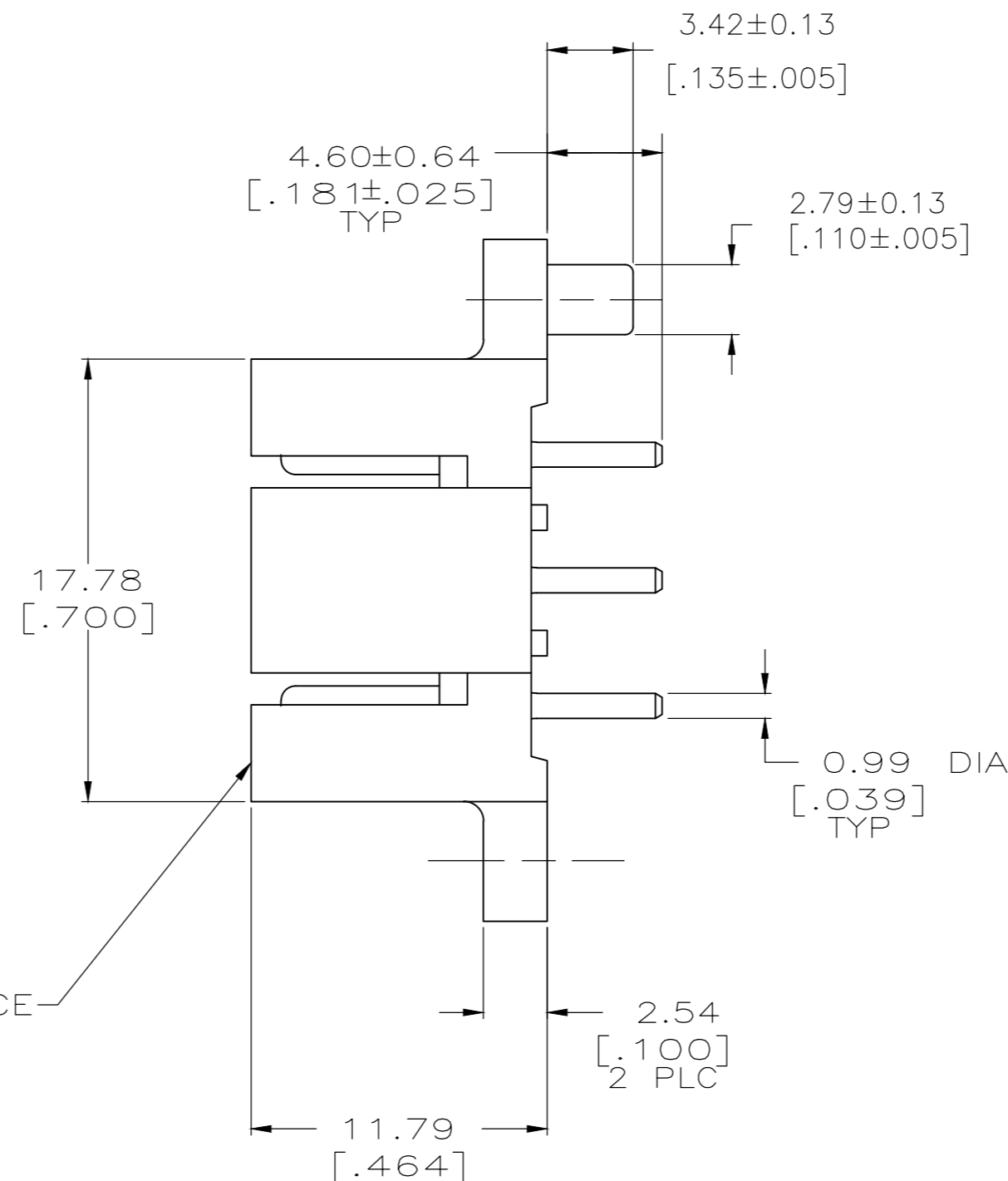
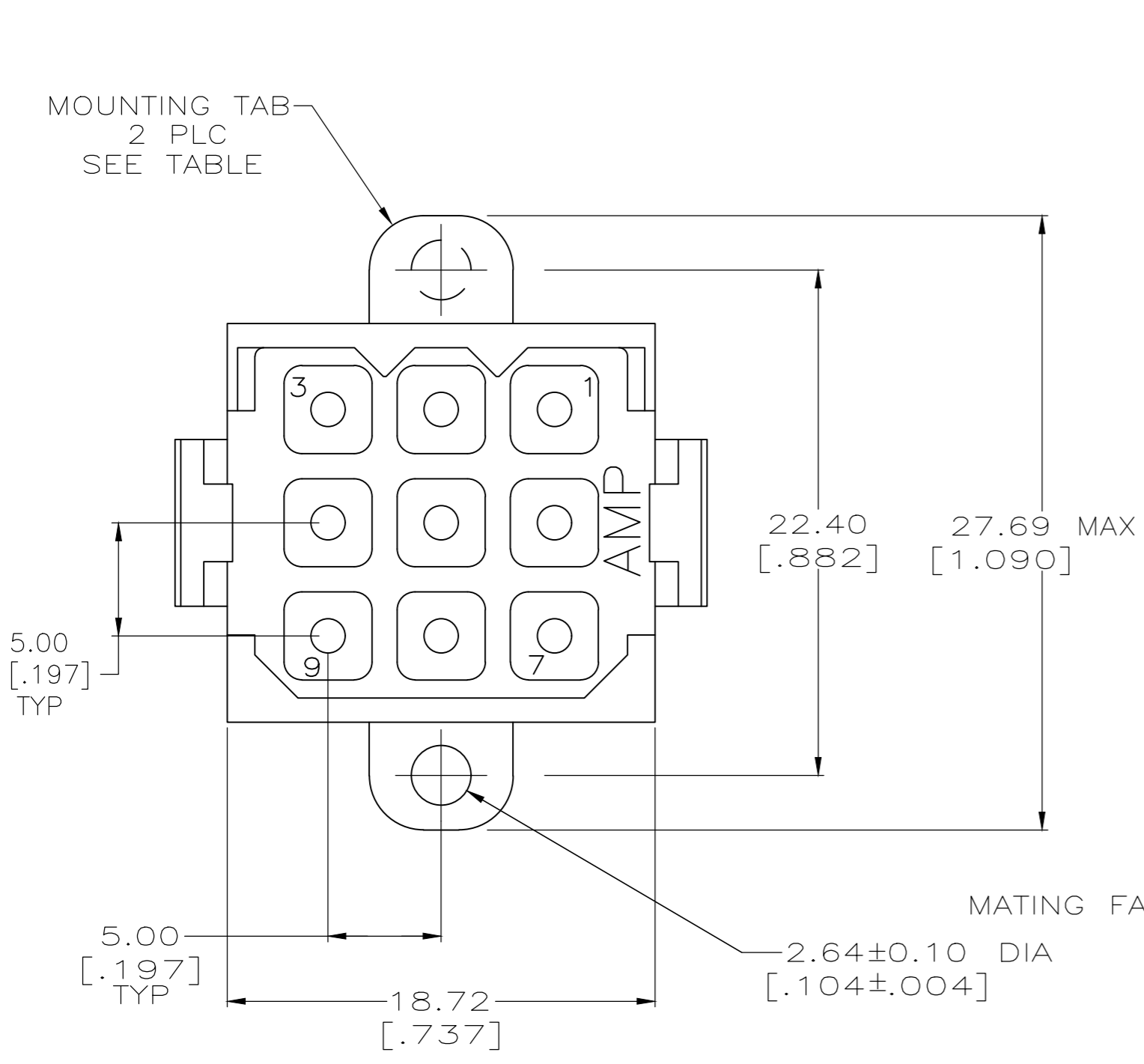


REVISIONS					
P	LTR	DESCRIPTION	DATE	DWN	APVD
A		REL PER ECO 10-010794	21MAY10	JR	SH
B		REVISED PER ECO-20-002045	13FEB2020	RK	MZ



- ① HOUSING MATERIAL: PA66, BLACK, UL 94 V-0 RATED
- ② CONTACT MATERIAL: BRASS PER ASTM B36
- ③ 0.76µm [.000030] MIN GOLD FOR A LENGTH OF 5.08 [.200] FROM MATING END, 3.81µm [.000150] MIN LEAD FREE TIN FOR A LENGTH OF 4.83 [.190] MIN FROM OPPOSITE END, BOTH OVER 1.27µm [.000050] MIN NICKEL.

RECOMMENDED PC BOARD LAYOUT

1986567-1
PART NO

THIS DRAWING IS A CONTROLLED DOCUMENT.		DWN R.GRZYBOWSKI 9JUNE09														
DIMENSIONS: mm [INCHES]		CHK G.STEINHAUER 9JUNE09														
TOLERANCES UNLESS OTHERWISE SPECIFIED:		APVD M.PERCHERKE 9JUNE09	NAME PIN HEADER ASSEMBLY, 9 POSITION, METRIMATE													
<table border="1"> <tr><td>0 PLC</td><td>± -</td></tr> <tr><td>1 PLC</td><td>± -</td></tr> <tr><td>2 PLC</td><td>± 0.25 [.010]</td></tr> <tr><td>3 PLC</td><td>± -</td></tr> <tr><td>4 PLC</td><td>± -</td></tr> <tr><td>ANGLES</td><td>± -</td></tr> </table>		0 PLC	± -	1 PLC	± -	2 PLC	± 0.25 [.010]	3 PLC	± -	4 PLC	± -	ANGLES	± -	PRODUCT SPEC 108-10033	SIZE A2	
0 PLC	± -															
1 PLC	± -															
2 PLC	± 0.25 [.010]															
3 PLC	± -															
4 PLC	± -															
ANGLES	± -															
MATERIAL HOUSING: ① CONTACT: ②		APPLICATION SPEC	CAGE CODE 00779	DRAWING NO C=1986567												
FINISH CONTACT: ③		WEIGHT	SCALE 4:1	SHEET 1 OF 1												
CUSTOMER DRAWING		RESTRICTED TO -														